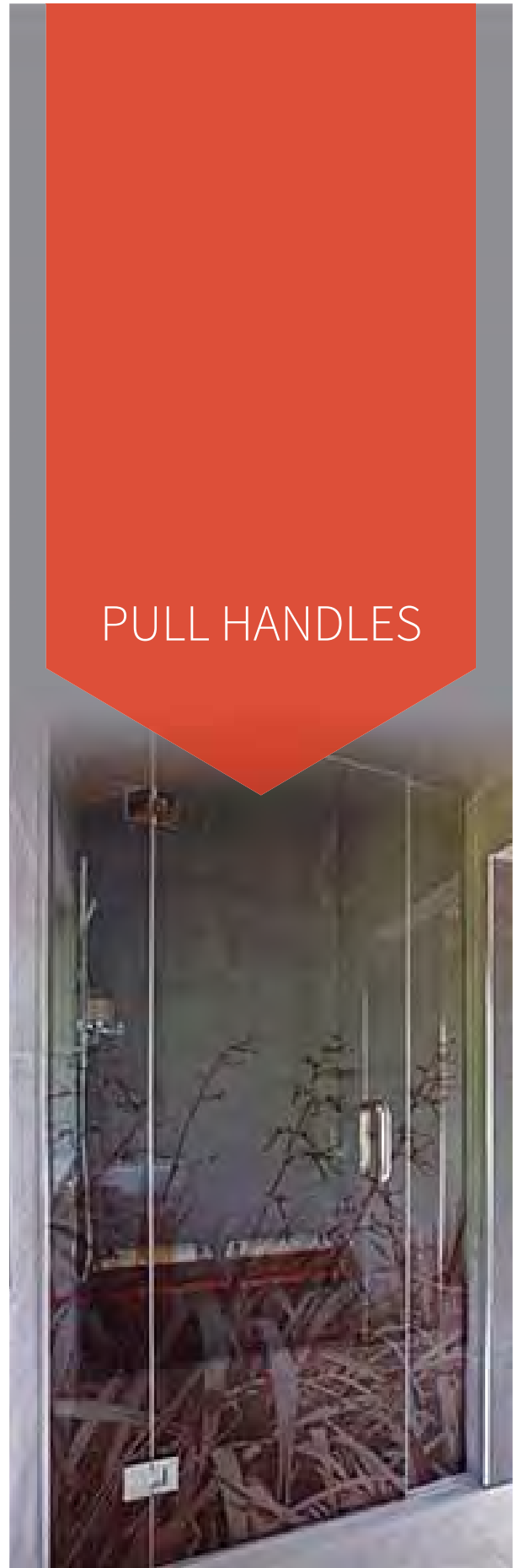


DOOR HANDLES

PULL HANDLES	3
DOOR STOPPERS	12



CONTENTS		
PULL HANDLES		3-11
DH10.300 DH10.500 DH10.600	D PULL HANDLE	3
DH20.300	OFFSET D PULL HANDLE	3
DH30.300	ROUND DOUBLE PULL HANDLE	4
DH40.300	HALF CIRCLE HANDLE	4
DH50.450	BOW HANDLE	5
AR.500 AR.750	ARCH D PULL HANDLE	5
DH60	H STYLE PULL HANDLE ROUND PROFILE	6
MF.600 MF.900 MF.1200	H STYLE PULL HANDLE ROUND PROFILE	6
CHF.480 CHF.600 CHF.800 CHF.1200 CHF.1500	H STYLE PULL HANDLE ROUND PROFILE - FLARED LEG	7
SQ.600.25 SQ.600 SQ.1000	SQUARELINE PULL HANDLE	7
CHM.480.SQ CHM.600.SQ CHM.800.SQ CHM.1200.SQ CHM.1500.SQ	H STYLE PULL HANDLE SQUARE PROFILE	8
DH70	H STYLE PULL HANDLE SQUARE PROFILE	8
DH80	D STYLE PULL HANDLE SQUARE PROFILE	9
SQD.450 SQD.600	SQUARE D PULL HANDLE	9
RA.450 RA.600	RECTANGULAR D PULL HANDLE	10
DH90	SQUARE D PULL HANDLE OFFSET	10
IP.750 IP.1250 IP.1750	ICON PULL HANDLE	11
SFP	FLUSH PULL HANDLE	11
DOOR STOPPERS		12
SS.7.R SS.7.FL SS.7.FR	DOOR STOPPER	12
SS.8	FLOOR GUIDE	12



ELITE GLASS SOLUTIONS

HEAD OFFICE
114 Endeavour Way
Sunshine West
VIC 3020 Australia

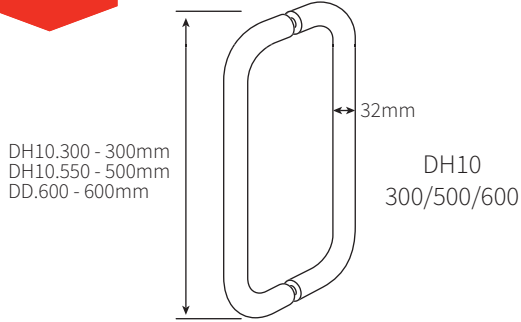
ADELAIDE OFFICE
7 Manfull Street
Melrose Park
SA 5039 Australia

1300 4 ELITE | 03 9314 6105
sales@eliteglassolutions.com.au
www.eliteglassolutions.com.au

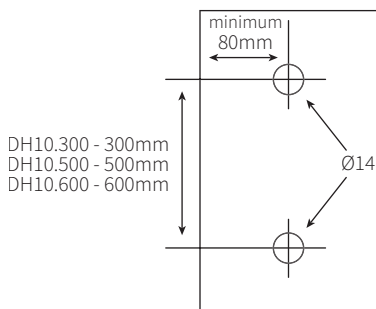
D PULL HANDLE
32MM DIAMETER

Item number	<ul style="list-style-type: none"> • DH10.300 300mm overall length hole centres 300mm apart • DH10.500 500mm overall length hole centres 500mm apart • DH10.600 600mm overall length hole centres 600mm apart
Description	<ul style="list-style-type: none"> • D pull handle • 32mm diameter • lengths available in 300mm, 500mm or 600mm • hole diameter 14mm
Suitable for	<ul style="list-style-type: none"> • swing or sliding doors
Material finish	<ul style="list-style-type: none"> • polished or satin stainless steel

DH10



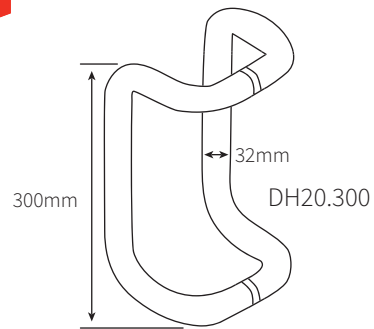
GLASS CUT OUT DETAIL



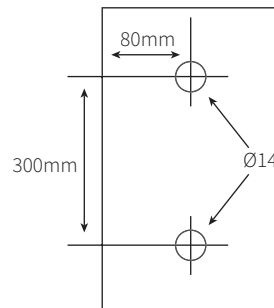
OFFSET D PULL HANDLE
32MM DIAMETER

Item number	DH20.300
Description	<ul style="list-style-type: none"> • offset D pull handle • 32mm diameter • 300mm overall length • hole centres 300mm apart • hole diameter 14mm
Suitable for	<ul style="list-style-type: none"> • swing or sliding doors
Material finish	<ul style="list-style-type: none"> • polished or satin stainless steel

DH20.300



GLASS CUT OUT DETAIL



ELITE GLASS SOLUTIONS

HEAD OFFICE
114 Endeavour Way
Sunshine West
VIC 3020 Australia

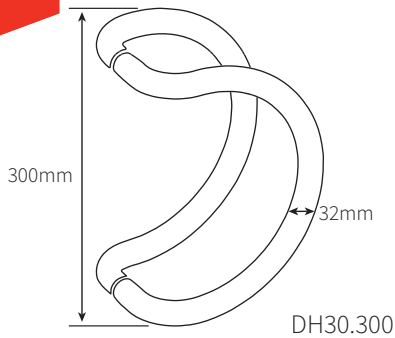
ADELAIDE OFFICE
7 Manfull Street
Melrose Park
SA 5039 Australia

1300 4 ELITE | 03 9314 6105
sales@eliteglassolutions.com.au
www.eliteglassolutions.com.au

ROUND DOUBLE PULL HANDLE
32MM DIAMETER

Item number	DH30.300
Description	<ul style="list-style-type: none"> • round double pull handle • 32mm diameter • 300mm overall length • hole centres 300mm apart • hole diameter 14mm
Suitable for	• swing or sliding doors
Material finish	• polished or satin stainless steel

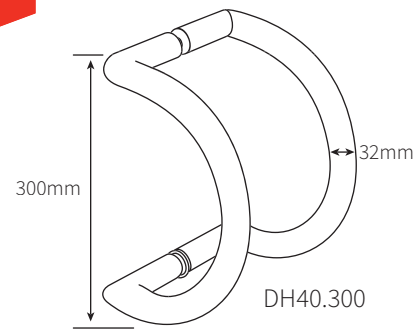
DH30.300



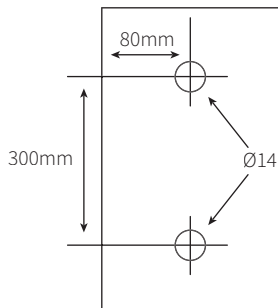
HALF CIRCLE HANDLE
32MM DIAMETER

Item number	DH40.300
Description	<ul style="list-style-type: none"> • half circle handle • 32mm diameter • 300mm overall length • hole centres 300mm apart • hole diameter 14mm
Suitable for	• swing or sliding doors
Material finish	• polished or satin stainless steel

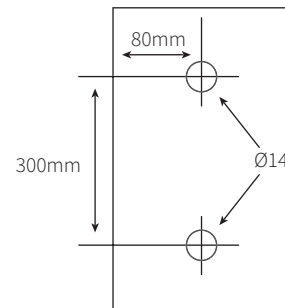
DH40.300



GLASS CUT OUT DETAIL



GLASS CUT OUT DETAIL



ELITE GLASS SOLUTIONS

HEAD OFFICE
114 Endeavour Way
Sunshine West
VIC 3020 Australia

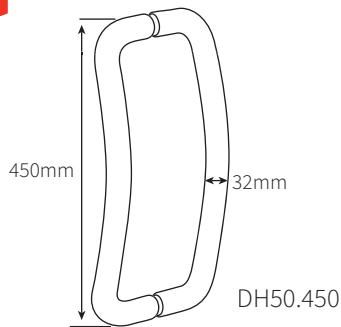
ADELAIDE OFFICE
7 Manfull Street
Melrose Park
SA 5039 Australia

1300 4 ELITE | 03 9314 6105
sales@eliteglassolutions.com.au
www.eliteglassolutions.com.au

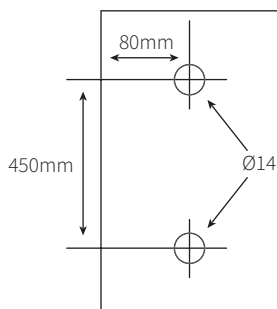
BOW HANDLE
32MM DIAMETER

Item number	DH50.450
Description	<ul style="list-style-type: none"> • bow handle • 32mm diameter • 450mm overall length • hole centres 450mm apart • hole diameter 14mm
Suitable for	• swing or sliding doors
Material finish	• polished or satin stainless steel

DH50.450



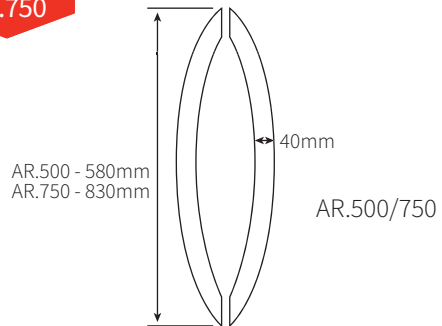
GLASS CUT OUT DETAIL



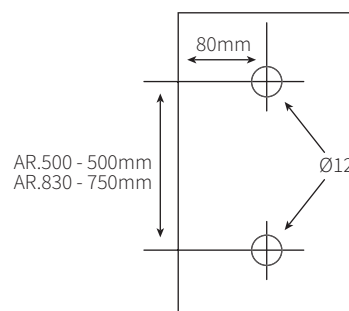
ARCH D PULL HANDLE
40MM DIAMETER

Item number	<ul style="list-style-type: none"> • AR.500 580mm overall length hole centres 500mm apart • AR.750 830mm overall length hole centres 750mm apart
Description	<ul style="list-style-type: none"> • arch D pull handle • 40mm diameter • lengths available in 500mm or 830mm • hole diameter 12mm
Suitable for	• swing or sliding doors
Material finish	• satin stainless steel

AR.500
AR.750



GLASS CUT OUT DETAIL



ELITE GLASS SOLUTIONS

HEAD OFFICE
114 Endeavour Way
Sunshine West
VIC 3020 Australia

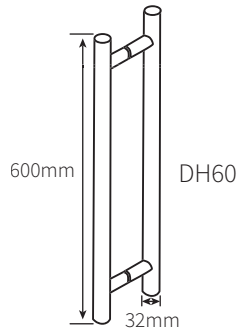
ADELAIDE OFFICE
7 Manfull Street
Melrose Park
SA 5039 Australia

1300 4 ELITE | 03 9314 6105
sales@eliteglassolutions.com.au
www.eliteglassolutions.com.au

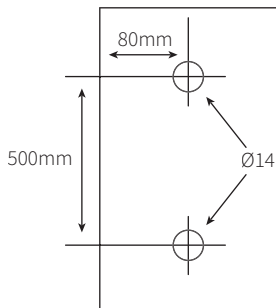
H STYLE PULL HANDLE ROUND PROFILE
32MM DIAMETER

Item number	DH60
Description	<ul style="list-style-type: none"> • H style pull handle round profile • 32mm diameter • 600mm overall length • hole centres 500mm apart • hole diameter 14mm
Suitable for	• swing or sliding doors
Material finish	• polished or satin stainless steel

DH60



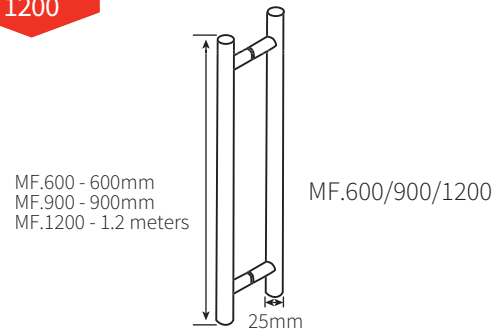
GLASS CUT OUT DETAIL



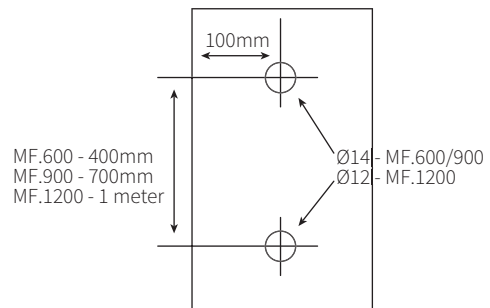
H STYLE PULL HANDLE ROUND PROFILE
25MM DIAMETER

Item number	<ul style="list-style-type: none"> • MF.600.25 600mm overall length 25mm diameter hole diameter 14mm hole centres 400mm apart • MF.900.25 900mm overall length 25mm diameter hole diameter 14mm hole centres 700mm apart • MF.1200.32 900mm overall length 32mm diameter hole diameter 12mm hole centres 1 meter apart
Description	<ul style="list-style-type: none"> • H style pull handle round profile • lengths available in 600mm, 900mm or 1.2 meters
Suitable for	• swing or sliding doors
Material finish	• polished or satin stainless steel

MF.600/900
1200



GLASS CUT OUT DETAIL



ELITE GLASS SOLUTIONS

HEAD OFFICE
114 Endeavour Way
Sunshine West
VIC 3020 Australia

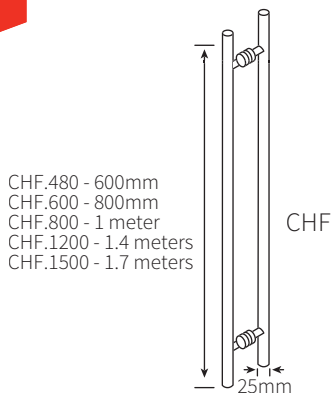
ADELAIDE OFFICE
7 Manfull Street
Melrose Park
SA 5039 Australia

1300 4 ELITE | 03 9314 6105
sales@eliteglassolutions.com.au
www.eliteglassolutions.com.au

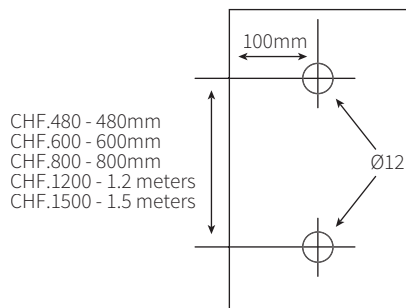
H STYLE PULL HANDLE ROUND PROFILE
25MM DIAMETER - FLARED LEG

Item number	<ul style="list-style-type: none"> CHF.480 600mm overall length hole centres 480mm apart CHF.600 800mm overall length hole centres 600mm apart CHF.800 1 meter overall length hole centres 800mm apart CHF.1200 1.4 meters overall length hole centres 1.2 meter apart CHF.1500 1.7 meters overall length hole centres 1.5 meter apart
Description	<ul style="list-style-type: none"> H style pull handle round profile, flared leg 25mm diameter lengths available in 600mm, 800mm, 1 meter, 1.4 meters or 1.7 meters hole diameter 12mm
Suitable for	<ul style="list-style-type: none"> swing or sliding doors
Material finish	<ul style="list-style-type: none"> polished or satin stainless steel

CHF



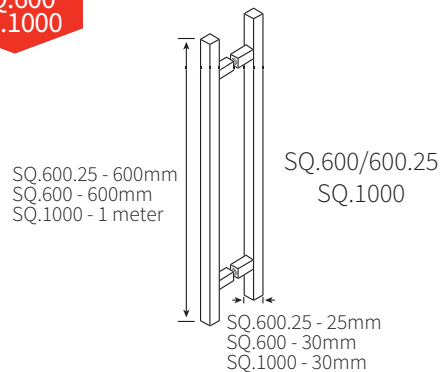
GLASS CUT OUT DETAIL



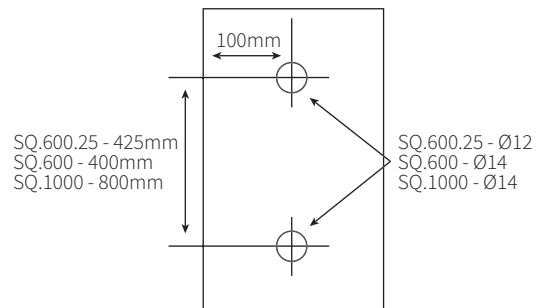
SQUARELINE PULL HANDLE
25/30MM DIAMETER

Item number	<ul style="list-style-type: none"> SQ.600.25 25mm diameter 600mm overall length hole centres 425mm apart hole diameter 12mm SQ.600 30mm diameter 600mm overall length hole centres 400mm apart hole diameter 14mm SQ.1000 30mm diameter 1 meter overall length hole centres 800mm apart hole diameter 14mm
Description	<ul style="list-style-type: none"> square line pull handle lengths available in 600mm or 1 meter
Suitable for	<ul style="list-style-type: none"> swing or sliding doors
Material finish	<ul style="list-style-type: none"> stainless steel

SQ.600
SQ.1000



GLASS CUT OUT DETAIL



ELITE GLASS SOLUTIONS

HEAD OFFICE
114 Endeavour Way
Sunshine West
VIC 3020 Australia

ADELAIDE OFFICE
7 Manfull Street
Melrose Park
SA 5039 Australia

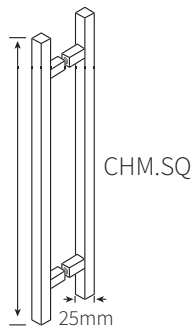
1300 4 ELITE | 03 9314 6105
sales@eliteglassolutions.com.au
www.eliteglassolutions.com.au

H STYLE PULL HANDLE SQUARE PROFILE
25 DIAMETER

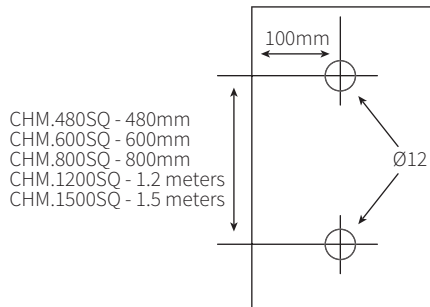
Item number	<ul style="list-style-type: none"> • CHM.480.SQ 600mm overall length hole centres 480mm apart • CHM.600.SQ 800mm overall length hole centres 600mm apart • CHM.800.SQ 1 meter overall length hole centres 800mm apart • CHM.1200.SQ 1.4 meters overall length hole centres 1.2 meters apart • CHM.1500.SQ 1.7 meters overall length hole centres 1.5 meters apart
Description	<ul style="list-style-type: none"> • H style pull handle square profile • 25mm diameter • lengths available in 600mm, 800mm, 1 meter, 1.4 meters or 1.7 meters • hole diameter 12mm
Suitable for	• swing or sliding doors
Material finish	• polished or satin stainless steel

CHM

CHM.480SQ - 600mm
CHM.600SQ - 800mm
CHM.800SQ - 1 meter
CHM.1200SQ - 1.4 meters
CHM.1500SQ - 1.7 meters



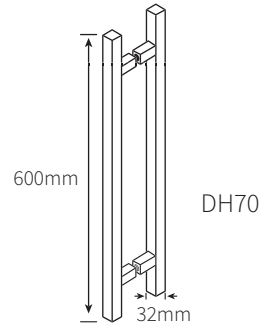
GLASS CUT OUT DETAIL



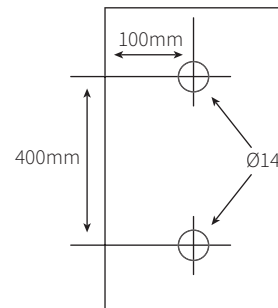
H STYLE PULL HANDLE SQUARE PROFILE
32MM DIAMETER

Item number	DH70
Description	<ul style="list-style-type: none"> • H style pull handle square profile • 32mm diameter • 600mm overall length • hole centres 400mm apart • hole diameter 14mm
Suitable for	• swing or sliding doors
Material finish	• polished or satin stainless steel

DH70



GLASS CUT OUT DETAIL



ELITE GLASS SOLUTIONS

HEAD OFFICE
114 Endeavour Way
Sunshine West
VIC 3020 Australia

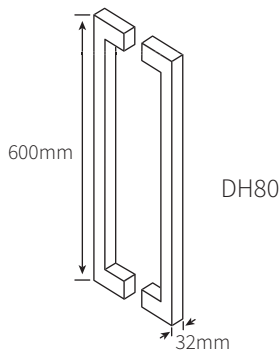
ADELAIDE OFFICE
7 Manfull Street
Melrose Park
SA 5039 Australia

1300 4 ELITE | 03 9314 6105
sales@eliteglassolutions.com.au
www.eliteglassolutions.com.au

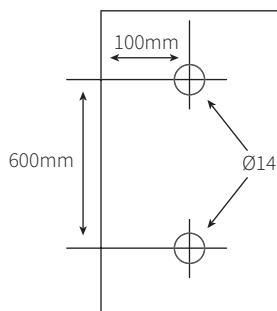
D STYLE PULL HANDLE SQUARE PROFILE
32MM DIAMETER

Item number	DH80
Description	<ul style="list-style-type: none"> • D style pull handle square profile • 32mm diameter • 600mm overall length • hole centres 600mm apart • hole diameter 14mm
Suitable for	<ul style="list-style-type: none"> • swing or sliding doors
Material finish	<ul style="list-style-type: none"> • polished or satin stainless steel

DH80



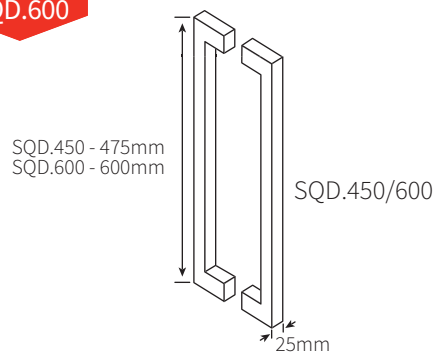
GLASS CUT OUT DETAIL



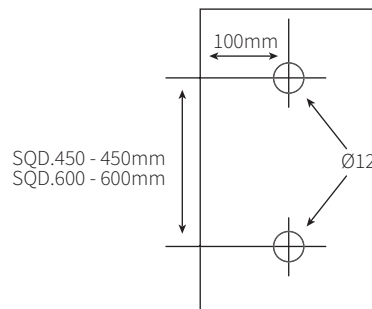
SQUARE D PULL HANDLE

Item number	<ul style="list-style-type: none"> • SQD.450 475mm overall length hole centres 450mm apart • SQD.600 600mm overall length hole centres 600mm apart
Description	<ul style="list-style-type: none"> • square D pull handle • 25mm diameter • lengths available in 475mm or 600mm • hole diameter 12mm
Suitable for	<ul style="list-style-type: none"> • swing or sliding doors
Material finish	<ul style="list-style-type: none"> • satin stainless steel

SQD.450
SQD.600



GLASS CUT OUT DETAIL



ELITE GLASS SOLUTIONS

HEAD OFFICE
114 Endeavour Way
Sunshine West
VIC 3020 Australia

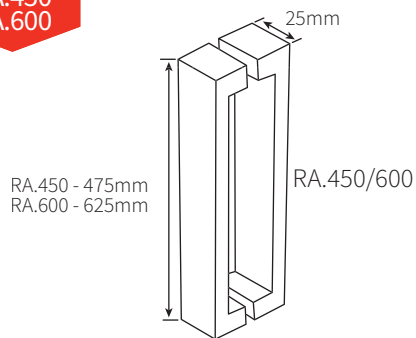
ADELAIDE OFFICE
7 Manfull Street
Melrose Park
SA 5039 Australia

1300 4 ELITE | 03 9314 6105
sales@eliteglassolutions.com.au
www.eliteglassolutions.com.au

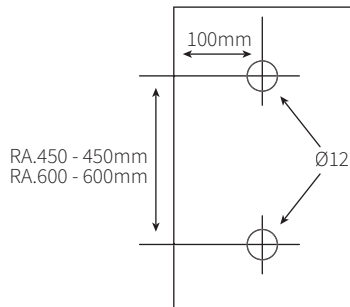
RECTANGULAR D PULL HANDLE

Item number	<ul style="list-style-type: none"> • RA.450 475mm overall length hole centres 450mm apart • RA.600 625mm overall length hole centres 600mm apart
Description	<ul style="list-style-type: none"> • rectangular D pull handle • 50mm x 25mm diameter • lengths available in 475mm or 625mm • hole diameter 12mm
Suitable for	• swing or sliding doors
Material finish	• satin stainless steel

RA.450
RA.600



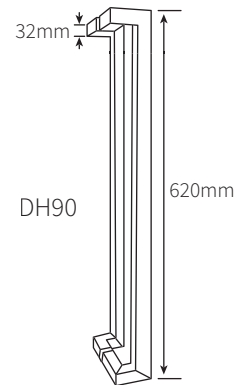
GLASS CUT OUT DETAIL



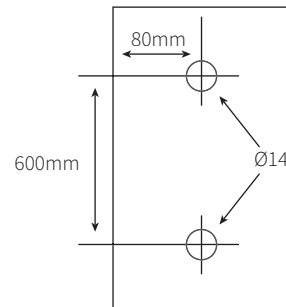
SQUARE D PULL HANDLE OFFSET

Item number	DH90
Description	<ul style="list-style-type: none"> • square D pull handle offset • 32mm diameter • 620mm overall length • hole centres 600mm apart • hole diameter 14mm
Suitable for	• swing or sliding doors
Material finish	• polished or satin stainless steel

DH90



GLASS CUT OUT DETAIL



ELITE GLASS SOLUTIONS

HEAD OFFICE
114 Endeavour Way
Sunshine West
VIC 3020 Australia

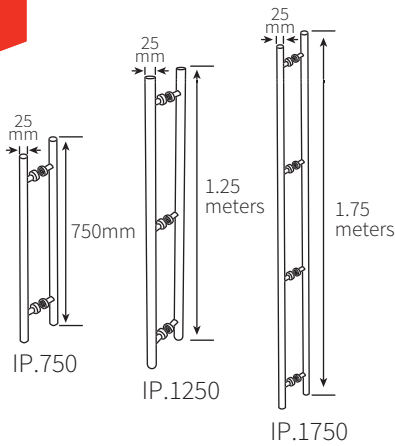
ADELAIDE OFFICE
7 Manfull Street
Melrose Park
SA 5039 Australia

1300 4 ELITE | 03 9314 6105
sales@eliteglassolutions.com.au
www.eliteglassolutions.com.au

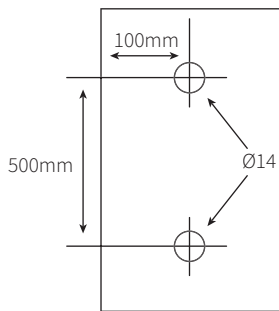
ICON PULL HANDLE

Item number	<ul style="list-style-type: none"> • IP.750 750mm overall length • IP.1250 1.25 meters overall length • IP.1750 1.75 meters overall length
Description	<ul style="list-style-type: none"> • icon pull handle • solid round section • 25mm diameter • lengths available in 750mm, 1.25 meters or 1.75 meters • hole centres 500mm apart • hole diameter 14mm
Suitable for	<ul style="list-style-type: none"> • swing or sliding doors
Material finish	<ul style="list-style-type: none"> • stainless steel

IP



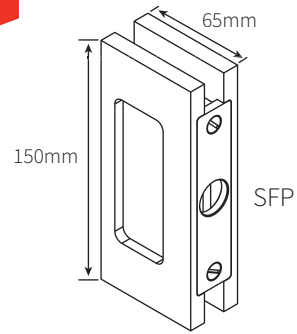
GLASS CUT OUT DETAIL



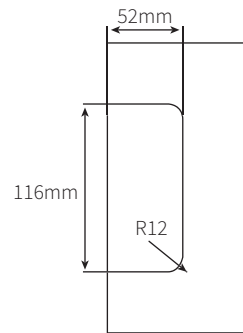
FLUSH PULL HANDLE

Item number	SFP
Description	<ul style="list-style-type: none"> • flush pull handle
Suitable for	<ul style="list-style-type: none"> • sliding doors • 10mm and 12mm glass thickness
Material finish	<ul style="list-style-type: none"> • natural anodised

SFP



GLASS CUT OUT DETAIL



ELITE GLASS SOLUTIONS

HEAD OFFICE
114 Endeavour Way
Sunshine West
VIC 3020 Australia

ADELAIDE OFFICE
7 Manfull Street
Melrose Park
SA 5039 Australia

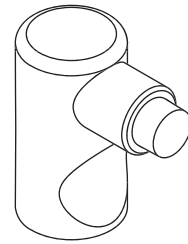
1300 4 ELITE | 03 9314 6105
sales@eliteglassolutions.com.au
www.eliteglassolutions.com.au



DOOR STOPPER

Item number	<ul style="list-style-type: none"> • SS.7.R round with spring stop • SS.7.FL flat stop - left hand • SS.7.FR flat stop - right hand
Description	• door stopper
Suitable for	• sliding doors
Material finish	• satin stainless steel

SS.7

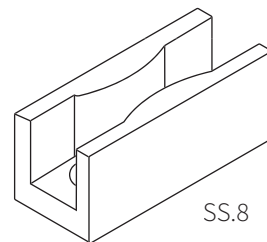


SS.7

FLOOR GUIDE

Item number	SS.8
Description	• floor guide
Suitable for	<ul style="list-style-type: none"> • sliding doors • adjustable to suit 8mm, 10mm or 12mm glass thickness
Material finish	• satin stainless steel

SS.8



SS.8



ELITE GLASS SOLUTIONS

HEAD OFFICE
114 Endeavour Way
Sunshine West
VIC 3020 Australia

ADELAIDE OFFICE
7 Manfull Street
Melrose Park
SA 5039 Australia

1300 4 ELITE | 03 9314 6105
sales@eliteglassolutions.com.au
www.eliteglassolutions.com.au