

# LOCKING SYSTEMS

DIGITAL LOCKS.....	4
PATCH LOCKS.....	6
SLIDING DOOR LOCKS.....	14
SECURITY PATCH AND LEVER LOCKS.....	21
INDICATOR LOCKS FOR SWING DOORS.....	28
PRIVACY PATCH LOCKS AND LATCHES.....	32
CASMA LOCKS.....	36



CONTENTS		
<b>DIGITAL LOCKS</b>		<b>4-5</b>
YDG313L	SMART TOUCH DIGITAL LOCK	4
YDG313K	DIGITAL LOCK GLASS KEEPER	5
RCM100	REMOTE ACCESS RECEIVER MODULE	5
WRC100	WALL MOUNTABLE REMOTE	5
PRC100	KEY FOB REMOTE	5
ATS100	ALUMINIUM / TIMBER STRIKE PLATE	5
<b>PATCH LOCKS</b>		<b>6-13</b>
PL590	BOTTOM OR TOP PATCH LOCK	6
CPL590	CENTRE PATCH LOCK	7
CPK590	CENTRE PATCH KEEPER	7
MP300	BOTTOM OR CENTRE PATCH LOCK	8
MP300.L	EXIT LEVER CENTRE PATCH LOCK	8
MP320	CENTRE PATCH KEEPER	8
EL10.PL.CT EL10.PL.DC	TOP OR BOTTOM PATCH LOCK	9
EL10.CPL.CT EL10.CPL.DC	CENTRE PATCH FITTING	9
EL10.CPK	CENTRE PATCH STRIKER BOX	10
LK10	LOCK KEEPER	10
GK10	GROUND KEEPER	10
DC88	CYLINDER DOUBLE	10
CT88	CYLINDER TURN	11
LK590	LOCKWOOD 590 GROUND KEEPER	11
GK590	LOCK KEEPER	11
MRG	FLOOR GUIDE FOR SLIDING RAILS	11
MDG	FLOOR GUIDE FOR GLASS DOORS SCP	12
SC90	CYLINDER SINGLE LOCKWOOD 590 ACCESSORY	12
TK90	TURN KNOB LOCKWOOD 590 CYLINDER	12
ER90	ESCUTCHEON ROSE LOCKWOOD 590 ACCESSORY	12
RS90	RETAINING SCREW LOCKWOOD 590 ACCESSORY	13

CONTENTS		
<b>SLIDING DOOR LOCKS</b>		<b>14-20</b>
MP300.H	SLIDING DOOR PATCH LOCK	14
MP320.H	SLIDING DOOR PATCH KEEPER	15
CPL590.P	SLIDING DOOR PARROT BEAK PATCH	15
CPK590.P WK590.P	PARROT BEAK KEEPER SUITABLE FOR SLIDING DOOR	16
MSL.1	SLIDING DOOR PRIVACY LATCH SNIB BOTH SIDES	16
MSL.2	SLIDING DOOR PRIVACY LATCH SET SNIB ONE SIDE	17
MSL.3	SLIDING DOOR LOCK	17
MS590	SLIDING DOOR DEADLOCK HEAVY DUTY	18
MJ590	SLIDING DOOR JAMB FIX STRIKE	18
MG590	SLIDING DOOR GLASS MOUNT STRIKE BOX	18
FP50	SLIDING DOOR FINGER PULL 50MM DIAMETER	19
SDFP70	SLIDING DOOR FINGER PULL 70MM DIAMETER	19
FP150	SLIDING DOOR FLUSH	20



**ELITE GLASS  
SOLUTIONS**

**HEAD OFFICE**  
114 Endeavour Way  
Sunshine West  
VIC 3020 Australia

**ADELAIDE OFFICE**  
7 Manfull Street  
Melrose Park  
SA 5039 Australia

1300 4 ELITE | 03 9314 6105  
sales@eliteglassolutions.com.au  
www.eliteglassolutions.com.au

CONTENTS		
<b>SECURITY PATCH AND LEVER LOCKS</b>		<b>21-27</b>
MP358.2A	SECURITY PATCH LOCK HANDLES BOTH SIDES	21
MP358.2B	SECURITY PATCH LOCK HANDLE INSIDE	22
MP358.2C	SECURITY PATCH LOCK NO HANDLES	22
MP358.2D	SECURITY PATCH LOCK HANDLES BOTH SIDES CYLINDER INSIDE AND OUTSIDE	23
MP358.2E	SECURITY PATCH LOCK HANDLES BOTH SIDES CYLINDER OUTSIDE	23
MP358.2K	SECURITY PATCH LOCK KEEPER	24
MP358.2SP	STRIKE PLATE PATCH LOCK	24
MK590.H	WALL MOUNT STRIKE BOX PATCH LOCK	24
LLJ.01	LEVER LOCKSET SUITABLE FOR TIMBER OR ALUMINIUM JAMB	25
LLG.02	LEVER LOCKSET SUITABLE FOR GLASS SIDELITE	25
LLJ.03	LEVER LATCHSET SUITABLE FOR TIMBER OR ALUMINIUM JAMB	25
LLG.04	LEVER LATCHSET SUITABLE FOR GLASS SIDELITE	26
LSG.08	STRIKE BOX SUITABLE FOR GLASS SIDELITE	26
LSJ.09	STRIKE PLATE SUITABLE FOR ALUMINIUM OR TIMBER JAMBS	26
MP100.F	SECURITY PATCH LOCK	27
MP100.K	CENTRE PATCH KEEPER	27
MP100.SP	STRIKE PLATE	27
<b>INDICATOR LOCKS FOR SWING DOORS</b>		<b>28-31</b>
IL700C	GLASS SWING DOOR INDICATOR LOCK - DOOR TO WALL	28
IL701C	GLASS SWING DOOR INDICATOR LOCK - DOOR TO SIDEPANEL	29
IL600C	GLASS SWING DOOR INDICATOR LOCK - DOOR TO WALL	29
IL601C	GLASS SWING DOOR INDICATOR LOCK - DOOR TO SIDE PANEL	30
IL700C.H	GLASS SLIDING DOOR INDICATOR LOCK - DOOR TO WALL	30
IL701C.H	GLASS SLIDING DOOR INDICATOR LOCK - DOOR TO SIDE PANEL	31
FF930.6 FF930.6K FF930.10 FF93.10K	RIVIERA BOAT LATCH	31

CONTENTS		
<b>PRIVACY PATCH LOCKS AND LATCHES</b>		<b>32-35</b>
MP65	PRIVACY PATCH LOCK SLIDE-ON GLASS TO WALL - FLOOR LOCK	32
MPL.1	PRIVACY LATCH AND LOCK SLIDE-ON GLASS TO WALL	33
MPL.2	PRIVACY LATCH AND LOCK SLIDE-ON GLASS TO GLASS	33
MFPL1 CPL1	PIVOT AND SLIDING DOOR PRIVACY LATCH GLASS TO WALL	34
374	PATCH BOLT LOCK SLIDE-ON	34
343.1	PATCH LOCK SLIDE-ON	34
342.1	PATCH LOCK	35
456	PROFILE PLUNGER LOCK	35
<b>CASMA LOCKS</b>		<b>36-40</b>
SBC14600	BOTTOM PIN LOCK - CASMA	36
SBC14700	BOTTOM PIN LOCK WITH THUMBTURN - CASMA	37
SBC16000	CENTRE OR BOTTOM DOOR LOCK CASMA	37
SBC16100	LOCK STRIKE KEEPER - CASMA	38
SBC48700	CORNER PIN LOCK - CASMA	38
SBC48720	CORNER PIN LOCK - CASMA SUITABLE FOR 19MM GLASS THICKNESS	40



**ELITE GLASS  
SOLUTIONS**

**HEAD OFFICE**  
114 Endeavour Way  
Sunshine West  
VIC 3020 Australia

**ADELAIDE OFFICE**  
7 Manfull Street  
Melrose Park  
SA 5039 Australia

☎ 1300 4 ELITE | 03 9314 6105  
✉ sales@eliteglassolutions.com.au  
🌐 www.eliteglassolutions.com.au

DIGITAL  
LOCKS



SMART TOUCH DIGITAL LOCK

Item number	YDG313L
Description	<ul style="list-style-type: none"> <li>• introducing a very smart glass door lock... the preferred solution to secure your home or office</li> <li>• sleek silver mirror finish - the numbered keypad appears on the mirror screen when touched</li> <li>• a simple solution for locking pivot doors</li> <li>• quick and easy installation</li> <li>• smartpad touch screen with optional card key</li> <li>• multi-featured</li> <li>• battery operated, including a 9 volt emergency battery back-up</li> <li>• automatic locking</li> <li>• no hole or glass cut out required</li> <li>• dual access, either by card or by smart pad screen (multiple cards can be enabled)</li> <li>• 4AA batteries will last up to one year</li> <li>• used in conjunction with standard elite glass pivot door fittings</li> <li>• strike plate for door jambs available on request</li> </ul>
Suitable for	<ul style="list-style-type: none"> <li>• for internal and external doors</li> <li>• residential and commercial applications</li> <li>• suits both single and double doors</li> <li>• 10mm and 12mm toughened safety glass</li> </ul>
Material finish	• silver polished mirror

YDG313L

FRONT

YDG313L



BACK



ELITE GLASS  
SOLUTIONS

HEAD OFFICE  
114 Endeavour Way  
Sunshine West  
VIC 3020 Australia

ADELAIDE OFFICE  
7 Manfull Street  
Melrose Park  
SA 5039 Australia

1300 4 ELITE | 03 9314 6105  
sales@eliteglassolutions.com.au  
www.eliteglassolutions.com.au

**DIGITAL LOCK GLASS KEEPER**

Item number	YDG313K
Description	<ul style="list-style-type: none"> <li>• digital lock glass keeper</li> <li>• no holes or notches required in glass</li> <li>• fits existing doors with minimum 3mm clearance</li> <li>• fitted with high bond tape</li> </ul>
Suitable for	• 10mm and 12 single or double action glass doors

YDG313K



YDG313K

FRONT BACK

**REMOTE ACCESS RECEIVER MODULE**

Item number	RCM100
Description	<ul style="list-style-type: none"> <li>• remote access receiver module</li> <li>• required component if remote access is required</li> </ul>
Suitable for	• smart touch lock YDG313L

RCM100



RCM100

**WALL MOUNTABLE REMOTE**

Item number	WRC100
Description	<ul style="list-style-type: none"> <li>• wall mountable remote</li> <li>• lock and unlock function</li> <li>• operating range up to 30 meters</li> </ul>
Suitable for	• use with RCM100 to operate

WRC100



WRC100

**KEY FOB REMOTE**

Item number	PRC100
Description	<ul style="list-style-type: none"> <li>• key fob remote</li> <li>• unlock function,</li> <li>• operating range up to 30 meters</li> </ul>
Suitable for	• smart touch lock YDG313L

PRC100



PRC100

**ALUMINIUM / TIMBER STRIKE PLATE**

Item number	ATS100
Description	• aluminium / timber strike plate
Suitable for	• smart touch lock YDG313L
Material finish	• 316 stainless steel satin

ATS100



ATS100



**ELITE GLASS SOLUTIONS**

**HEAD OFFICE**  
114 Endeavour Way  
Sunshine West  
VIC 3020 Australia

**ADELAIDE OFFICE**  
7 Manfull Street  
Melrose Park  
SA 5039 Australia

1300 4 ELITE | 03 9314 6105  
sales@eliteglassolutions.com.au  
www.eliteglassolutions.com.au

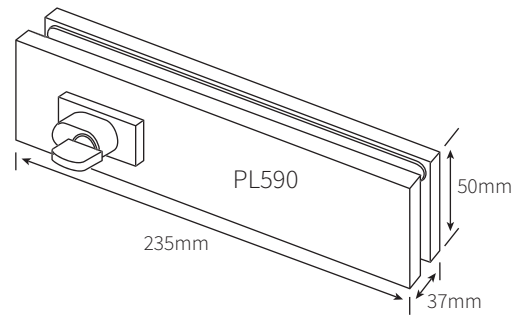


PATCH LOCKS

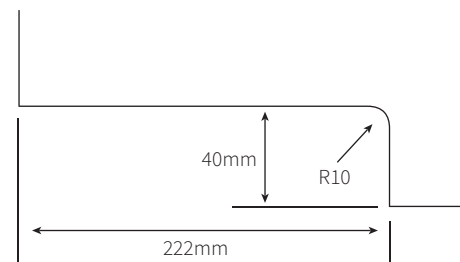
**BOTTOM OR TOP** PATCH LOCK

Item number	PL590
Description	<ul style="list-style-type: none"> <li>• bottom or top patch lock</li> <li>• complete with lock and cylinders</li> </ul>
Suitable for	<ul style="list-style-type: none"> <li>• 10mm and 12mm glass thickness</li> <li>• keeper LK590/GK590</li> </ul>
Material finish	<ul style="list-style-type: none"> <li>• polished or satin stainless steel</li> <li>• selected powdercoat (lead time applies)</li> </ul>
Order	<ul style="list-style-type: none"> <li>• specify cylinder combination - double cylinder, cylinder/turn, single cylinder or single turn</li> <li>• please specify glass width</li> </ul>

PL590



GLASS CUT OUT DETAIL



**ELITE GLASS SOLUTIONS**

**HEAD OFFICE**  
114 Endeavour Way  
Sunshine West  
VIC 3020 Australia

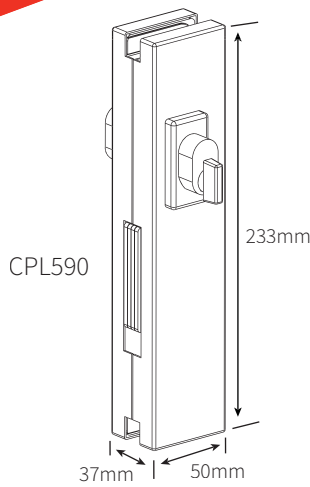
**ADELAIDE OFFICE**  
7 Manfull Street  
Melrose Park  
SA 5039 Australia

1300 4 ELITE | 03 9314 6105  
sales@eliteglassolutions.com.au  
www.eliteglassolutions.com.au

**CENTRE PATCH LOCK**

Item number	CPL590
Description	<ul style="list-style-type: none"> <li>• centre patch lock</li> <li>• complete with lock and cylinders</li> </ul>
Suitable for	<ul style="list-style-type: none"> <li>• 10mm and 12mm glass thickness</li> <li>• keeper CPK590/LK590</li> </ul>
Material finish	<ul style="list-style-type: none"> <li>• polished or satin stainless steel</li> <li>• selected powdercoat (lead time applies)</li> </ul>
Order	<ul style="list-style-type: none"> <li>• specify cylinder combination</li> <li>- double cylinder, cylinder/turn, single cylinder or single turn</li> </ul>

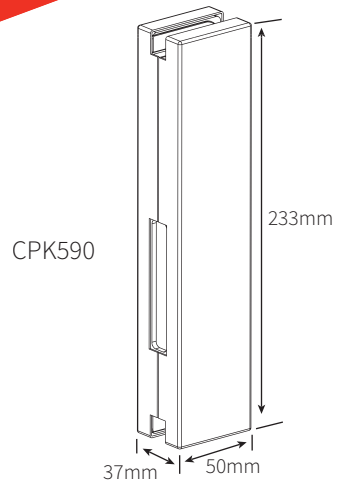
CPL590



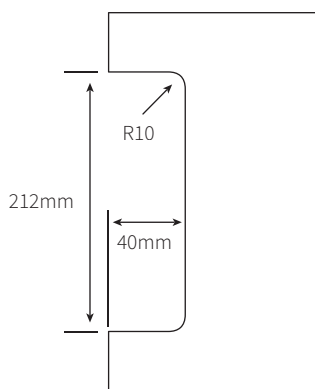
**CENTRE PATCH KEEPER**

Item number	CPK590
Description	<ul style="list-style-type: none"> <li>• centre patch keeper</li> <li>• complete with lock and cylinders</li> </ul>
Suitable for	<ul style="list-style-type: none"> <li>• 10mm and 12mm glass thickness</li> <li>• CPL590</li> </ul>
Material finish	<ul style="list-style-type: none"> <li>• polished or satin stainless steel</li> <li>• selected powdercoat (lead time applies)</li> </ul>

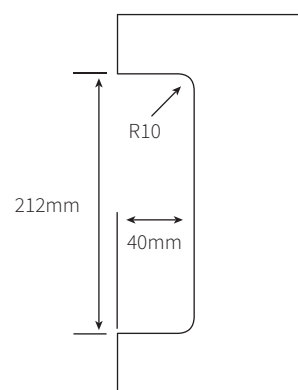
CPK590



**GLASS CUT OUT DETAIL**



**GLASS CUT OUT DETAIL**



**ELITE GLASS SOLUTIONS**

**HEAD OFFICE**  
114 Endeavour Way  
Sunshine West  
VIC 3020 Australia

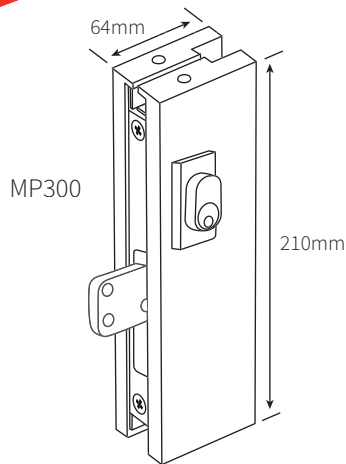
**ADELAIDE OFFICE**  
7 Manfull Street  
Melrose Park  
SA 5039 Australia

1300 4 ELITE | 03 9314 6105  
sales@eliteglassolutions.com.au  
www.eliteglassolutions.com.au

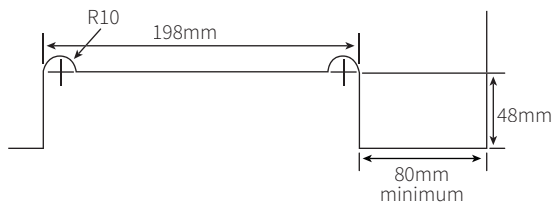
**BOTTOM OR CENTRE PATCH LOCK**

Item number	MP300
Description	<ul style="list-style-type: none"> <li>• bottom or centre patch lock</li> <li>• includes cylinders and long throw mortice lock</li> <li>• 210mm H x 64mm W with throw centre of 112.5mm</li> </ul>
Suitable for	<ul style="list-style-type: none"> <li>• 10mm and 12mm glass thickness</li> <li>• keeper MP320</li> </ul>
Material finish	• polished or satin stainless steel

**MP300**



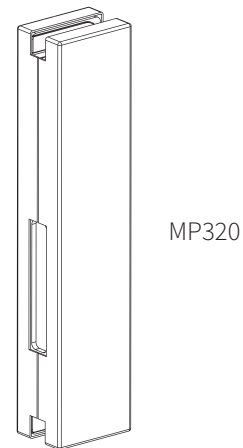
**GLASS CUT OUT DETAIL**



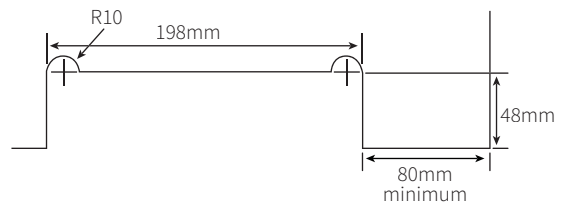
**CENTRE PATCH KEEPER**

Item number	MP320
Description	<ul style="list-style-type: none"> <li>• centre patch keeper</li> <li>• 210mm H x 64mm W</li> </ul>
Suitable for	<ul style="list-style-type: none"> <li>• 10mm and 12mm glass thickness</li> <li>• MP300 and MP300L</li> </ul>
Material finish	• polished or satin stainless steel

**MP320**



**GLASS CUT OUT DETAIL**



**EXIT LEVER CENTRE PATCH LOCK**

Item number	MP300.L
Description	<ul style="list-style-type: none"> <li>• exit lever centre patch lock</li> <li>• Includes cylinders and mortice lock</li> </ul>
Suitable for	• MP300
Material finish	• polished or satin stainless steel
Order	• specify handing and glass thickness



**ELITE GLASS SOLUTIONS**

**HEAD OFFICE**  
114 Endeavour Way  
Sunshine West  
VIC 3020 Australia

**ADELAIDE OFFICE**  
7 Manfull Street  
Melrose Park  
SA 5039 Australia

1300 4 ELITE | 03 9314 6105  
sales@eliteglassolutions.com.au  
www.eliteglassolutions.com.au



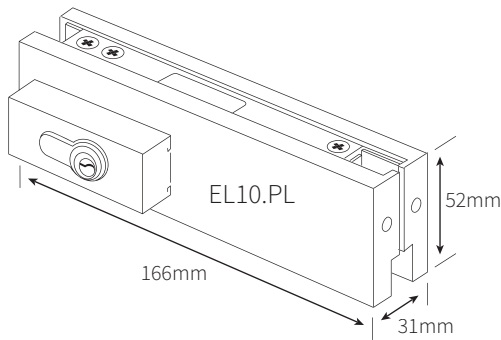
TOP OR BOTTOM PATCH LOCK

Item number	<ul style="list-style-type: none"> <li>EL10.PL.CT cylinder/turn knob</li> <li>EL10.PL.DC double cylinder</li> </ul>
Description	<ul style="list-style-type: none"> <li>top or bottom patch lock</li> <li>vertical belt projection 20mm</li> <li>eurotype cylinders</li> </ul>
Suitable for	<ul style="list-style-type: none"> <li>10mm and 12mm glass thickness</li> </ul>
Material finish	<ul style="list-style-type: none"> <li>polished or satin stainless steel</li> <li>selected powdercoat (lead time applies)</li> </ul>
Order	<ul style="list-style-type: none"> <li>specify cylinder combination - double cylinder, cylinder/turn, single cylinder or single turn</li> </ul>

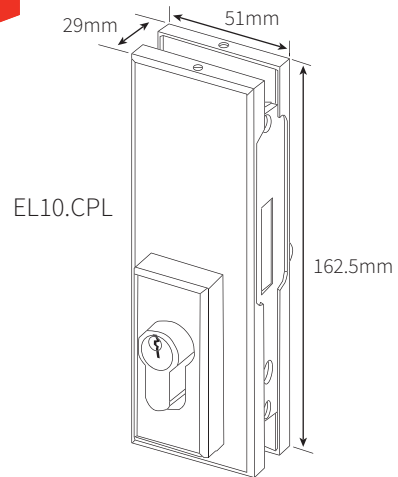
CENTRE PATCH FITTING

Item number	<ul style="list-style-type: none"> <li>EL10.CPL.CT cylinder/turn knob</li> <li>EL10.CPL.DC double cylinder</li> </ul>
Description	<ul style="list-style-type: none"> <li>centre patch fitting</li> <li>vertical belt projection 20mm</li> <li>eurotype cylinders</li> </ul>
Suitable for	<ul style="list-style-type: none"> <li>10mm and 12mm glass thickness</li> </ul>
Material finish	<ul style="list-style-type: none"> <li>polished or satin stainless steel</li> <li>selected powdercoat (lead time applies)</li> </ul>
Order	<ul style="list-style-type: none"> <li>specify cylinder combination - double cylinder, cylinder/turn, single cylinder or single turn</li> </ul>

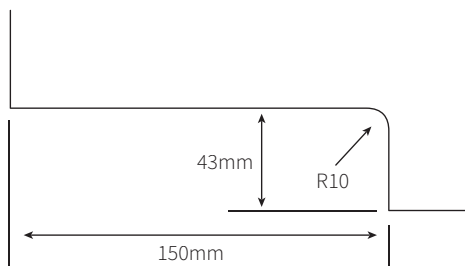
EL10.PL



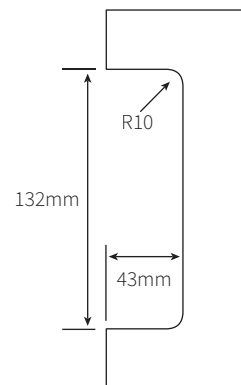
EL10.CPL



GLASS CUT OUT DETAIL



GLASS CUT OUT DETAIL



**ELITE GLASS SOLUTIONS**

**HEAD OFFICE**  
114 Endeavour Way  
Sunshine West  
VIC 3020 Australia

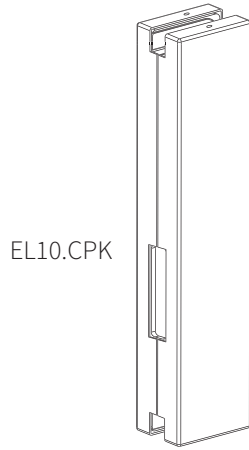
**ADELAIDE OFFICE**  
7 Manfull Street  
Melrose Park  
SA 5039 Australia

1300 4 ELITE | 03 9314 6105  
sales@eliteglassolutions.com.au  
www.eliteglassolutions.com.au

**CENTRE PATCH STRIKER BOX**

Item number	EL10.CPK
Description	• centre patch striker patch
Suitable for	• EL10
Material finish	• polished or satin stainless steel

EL10.CPK

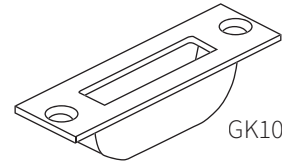


EL10.CPK

**GROUND KEEPER**

Item number	GK10
Description	• ground keeper
Suitable for	• EL10
Material finish	• satin stainless steel

GK10

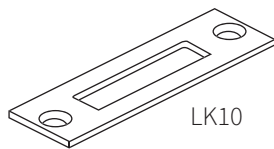


GK10

**LOCK KEEPER**

Item number	LK10
Description	• lock keeper
Suitable for	• EL10
Material finish	• satin stainless steel

LK10

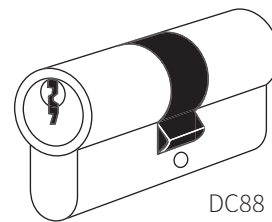


LK10

**CYLINDER DOUBLE**

Item number	DC88
Description	• cylinder double • eurostyle cylinder
Suitable for	• EL10
Material finish	• chrome plate or satin chrome

DC88



DC88



**ELITE GLASS SOLUTIONS**

**HEAD OFFICE**  
114 Endeavour Way  
Sunshine West  
VIC 3020 Australia

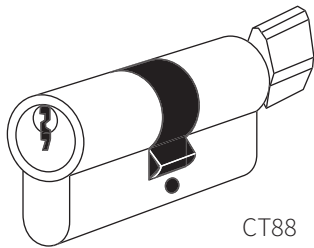
**ADELAIDE OFFICE**  
7 Manfull Street  
Melrose Park  
SA 5039 Australia

1300 4 ELITE | 03 9314 6105  
sales@eliteglassolutions.com.au  
www.eliteglassolutions.com.au

CYLINDER TURN

Item number	CT88
Description	<ul style="list-style-type: none"> <li>• cylinder turn</li> <li>• eurostyle cylinder</li> </ul>
Suitable for	• EL10
Material finish	• chrome plate or satin chrome

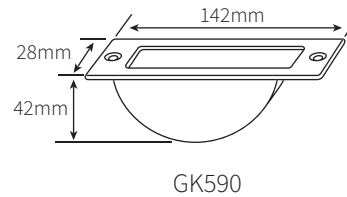
CT88



LOCK KEEPER

Item number	GK590
Description	• lock keeper
Suitable for	• PL590 and CPL590 locks and rails
Material finish	• polished or satin stainless steel

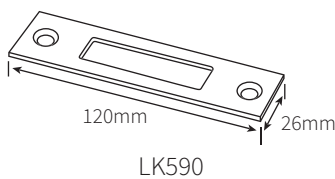
GK590



LOCKWOOD 590 GROUND KEEPER

Item number	LK590
Description	• lockwood 590 ground keeper
Suitable for	• rail locks and PL590
Material finish	• polished or satin stainless steel

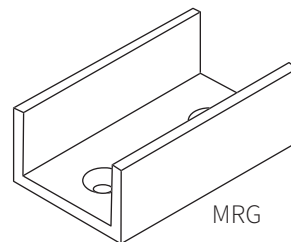
LK590



FLOOR GUIDE FOR SLIDING RAILS

Item number	MRG
Description	• floor guide for sliding rails
Suitable for	• 10mm and 12mm glass thickness
Material finish	• black nylon

MRG



ELITE GLASS SOLUTIONS

**HEAD OFFICE**  
114 Endeavour Way  
Sunshine West  
VIC 3020 Australia

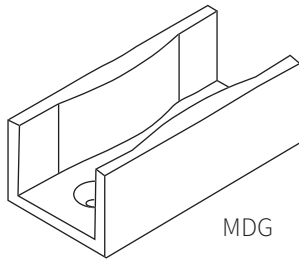
**ADELAIDE OFFICE**  
7 Manfull Street  
Melrose Park  
SA 5039 Australia

1300 4 ELITE | 03 9314 6105  
sales@eliteglassolutions.com.au  
www.eliteglassolutions.com.au

**FLOOR GUIDE** FOR GLASS DOORS SCP

Item number	MDG
Description	• floor guide for glass doors SCP
Suitable for	• 8mm to 12mm glass thickness
Material finish	• stain chrome

MDG

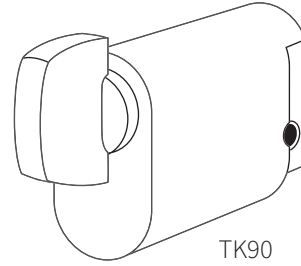


MDG

**TURN KNOB** LOCKWOOD 590 CYLINDER

Item number	TK90
Description	• turn knob lockwood 590 cylinder
Suitable for	• rail locks
Material finish	• satin silver anodised

TK90

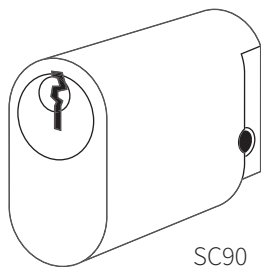


TK90

**CYLINDER** SINGLE  
LOCKWOOD 590 ACCESSORY

Item number	SC90
Description	• cylinder single • lockwood 590 accessory
Suitable for	• rail locks
Material finish	• satin silver anodised

SC90

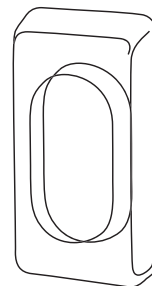


SC90

**ESCUTCHEON** ROSE  
LOCKWOOD 590 ACCESSORY

Item number	ER90
Description	• escutcheon rose • lockwood 590 accessory
Suitable for	• rail locks
Material finish	• satin silver anodised

ER90



ER90



**ELITE GLASS SOLUTIONS**

**HEAD OFFICE**  
114 Endeavour Way  
Sunshine West  
VIC 3020 Australia

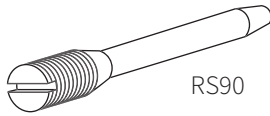
**ADELAIDE OFFICE**  
7 Manfull Street  
Melrose Park  
SA 5039 Australia

1300 4 ELITE | 03 9314 6105  
sales@eliteglassolutions.com.au  
www.eliteglassolutions.com.au

**RETAINING SCREW**  
LOCKWOOD 590 ACCESSORY

Item number	RS90
Description	<ul style="list-style-type: none"> <li>retaining screw</li> <li>lockwood 590 accessory</li> </ul>
Suitable for	<ul style="list-style-type: none"> <li>rail locks</li> </ul>
Material finish	<ul style="list-style-type: none"> <li>satin silver anodised</li> </ul>

RS90



**ELITE GLASS SOLUTIONS**

**HEAD OFFICE**  
114 Endeavour Way  
Sunshine West  
VIC 3020 Australia

**ADELAIDE OFFICE**  
7 Manfull Street  
Melrose Park  
SA 5039 Australia

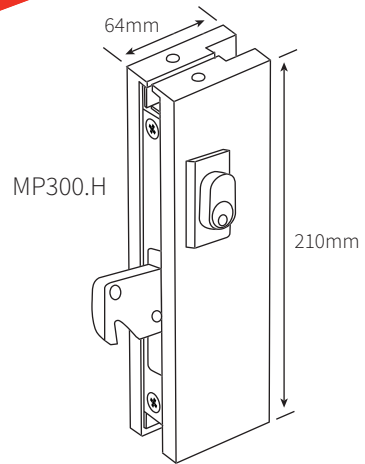
1300 4 ELITE | 03 9314 6105  
 sales@eliteglassolutions.com.au  
 www.eliteglassolutions.com.au



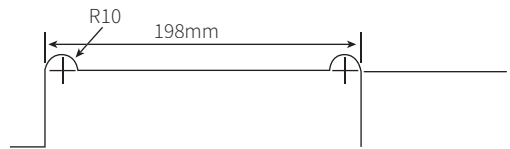
SLIDING DOOR PATCH LOCK

Item number	MP300.H
Description	<ul style="list-style-type: none"> <li>• sliding door patch lock</li> <li>• includes cylinders and hook mortice lock</li> </ul>
Suitable for	• 10mm and 12mm glass thickness
Material finish	• polished or satin stainless steel

MP300.H



GLASS CUT OUT DETAIL



ELITE GLASS SOLUTIONS

HEAD OFFICE  
114 Endeavour Way  
Sunshine West  
VIC 3020 Australia

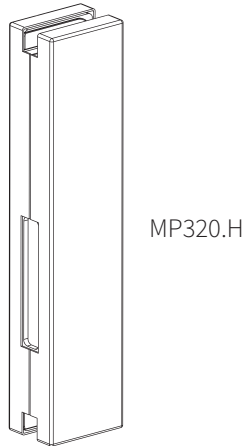
ADELAIDE OFFICE  
7 Manfull Street  
Melrose Park  
SA 5039 Australia

1300 4 ELITE | 03 9314 6105  
sales@eliteglassolutions.com.au  
www.eliteglassolutions.com.au

SLIDING DOOR PATCH KEEPER

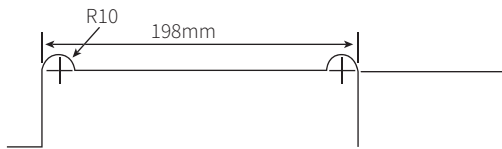
Item number	MP320.H
Description	• sliding door patch keeper
Suitable for	• MP300.H
Material finish	• polished or satin stainless steel

MP320.H



MP320.H

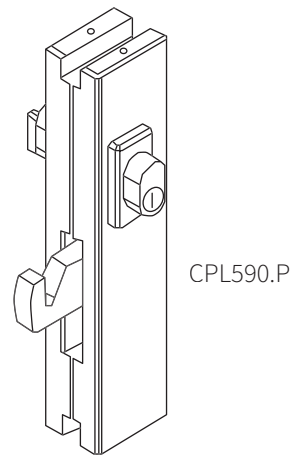
GLASS CUT OUT DETAIL



SLIDING DOOR PARROT BEAK PATCH

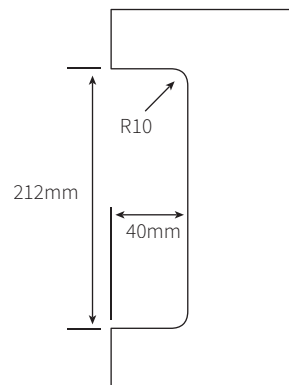
Item number	CPL590.P
Description	• sliding door parrot beak patch • includes lock and cylinders
Suitable for	• 10mm and 12mm glass thickness • sliding doors • use with keeper CPK590.P
Material finish	• polished or satin stainless steel
Order	• specify cylinder combination - double cylinder, cylinder/turn, single cylinder or single turn

CPL590.P



CPL590.P

GLASS CUT OUT DETAIL



ELITE GLASS SOLUTIONS

HEAD OFFICE  
114 Endeavour Way  
Sunshine West  
VIC 3020 Australia

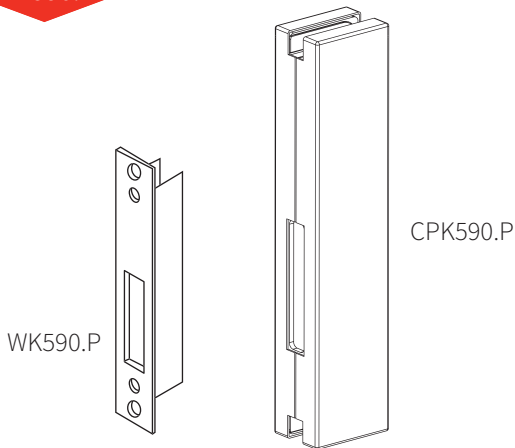
ADELAIDE OFFICE  
7 Manfull Street  
Melrose Park  
SA 5039 Australia

1300 4 ELITE | 03 9314 6105  
sales@eliteglassolutions.com.au  
www.eliteglassolutions.com.au

**PARROT BEAK** KEEPER  
SUITABLE FOR SLIDING DOOR

Item number	<ul style="list-style-type: none"> <li>• CPK590.P beak keeper</li> <li>• WK590.P spring-loaded wall keeper</li> </ul>
Description	<ul style="list-style-type: none"> <li>• parrot beak keeper</li> </ul>
Suitable for	<ul style="list-style-type: none"> <li>• 10mm and 12mm glass thickness</li> <li>• sliding doors</li> <li>• use with keeper CPL590.P</li> </ul>
Material finish	<ul style="list-style-type: none"> <li>• polished or satin stainless steel</li> </ul>

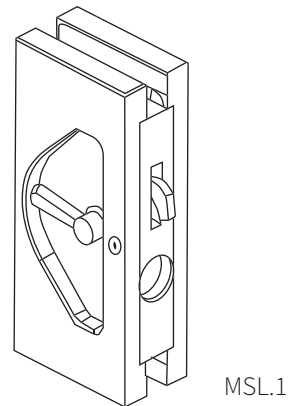
CPK590.P  
WK590.P



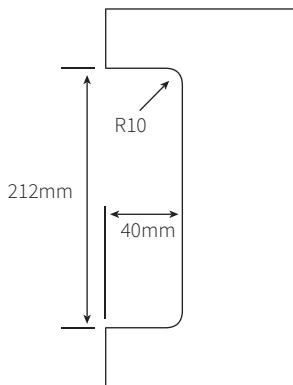
**SLIDING DOOR** PRIVACY LATCH  
SNIB BOTH SIDES

Item number	MSL.1
Description	<ul style="list-style-type: none"> <li>• sliding door privacy latch</li> <li>• snib both sides</li> </ul>
Suitable for	<ul style="list-style-type: none"> <li>• 8mm and 10mm glass thickness</li> </ul>
Material finish	<ul style="list-style-type: none"> <li>• satin silver</li> </ul>
Order	<ul style="list-style-type: none"> <li>• left or right hand</li> <li>• inside or outside</li> </ul>

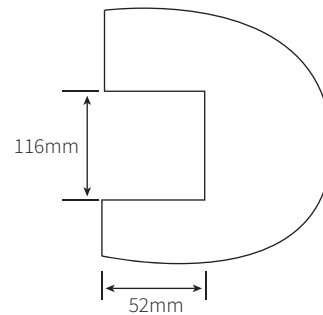
MSL.1



GLASS CUT OUT DETAIL



GLASS CUT OUT DETAIL



**ELITE GLASS SOLUTIONS**

**HEAD OFFICE**  
114 Endeavour Way  
Sunshine West  
VIC 3020 Australia

**ADELAIDE OFFICE**  
7 Manfull Street  
Melrose Park  
SA 5039 Australia

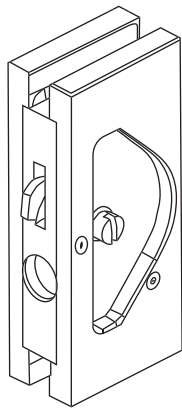
1300 4 ELITE | 03 9314 6105  
sales@eliteglassolutions.com.au  
www.eliteglassolutions.com.au



**SLIDING DOOR PRIVACY LATCH SET  
SNIB ONE SIDE**

Item number	MSL.2
Description	<ul style="list-style-type: none"> <li>• sliding door privacy latch set</li> <li>• snib one side</li> <li>• with emergency access screw</li> </ul>
Suitable for	• 8mm and 10mm glass thickness
Material finish	• satin silver
Order	<ul style="list-style-type: none"> <li>• left or right hand</li> <li>• inside or outside</li> </ul>

MSL.2

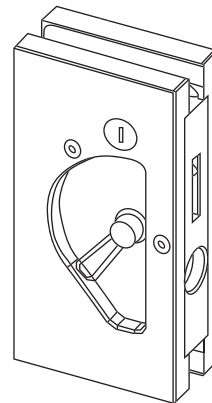


MSL.2

**SLIDING DOOR LOCK**

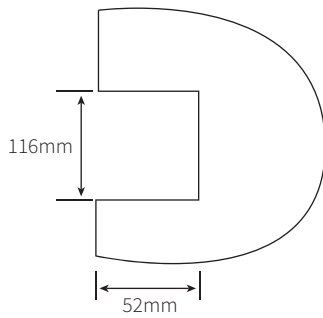
Item number	MSL.3
Description	• sliding door lock
Suitable for	• 8mm and 10mm glass thickness
Material finish	• satin silver
Order	<ul style="list-style-type: none"> <li>• left or right hand</li> <li>• inside or outside</li> </ul>

MSL.3

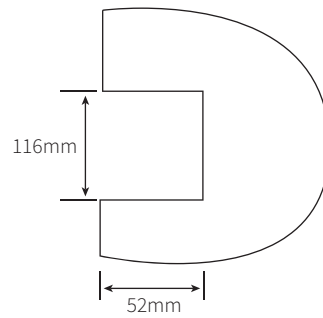


MSL.3

GLASS CUT OUT DETAIL



GLASS CUT OUT DETAIL



**ELITE GLASS  
SOLUTIONS**

**HEAD OFFICE**  
114 Endeavour Way  
Sunshine West  
VIC 3020 Australia

**ADELAIDE OFFICE**  
7 Manfull Street  
Melrose Park  
SA 5039 Australia

1300 4 ELITE | 03 9314 6105  
sales@eliteglassolutions.com.au  
www.eliteglassolutions.com.au

**SLIDING DOOR DEADLOCK HEAVY DUTY**

Item number	MS590
Description	<ul style="list-style-type: none"> <li>• sliding door deadlock heavy duty</li> <li>• can be master keyed</li> <li>• locking options - cylinder/turn, cylinder/cylinder</li> </ul>
Suitable for	<ul style="list-style-type: none"> <li>• internal or external applications</li> <li>• 10mm and 12mm glass thickness</li> </ul>
Material finish	• satin silver
Order	<ul style="list-style-type: none"> <li>• specify cylinder combination - cylinder/turn or cylinder/cylinder</li> </ul>

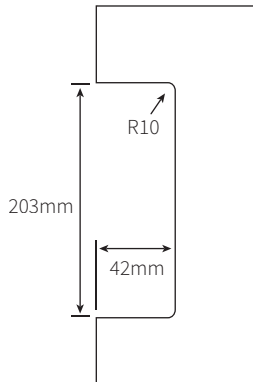
**SLIDING DOOR JAMB FIX STRIKE**

Item number	MJ590
Description	• sliding door jamb fix strike
Suitable for	• MS590 lock
Material finish	• satin silver

MS590  
MJ590



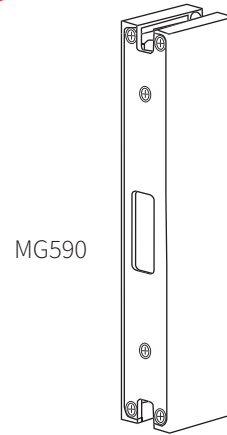
**GLASS CUT OUT DETAIL**



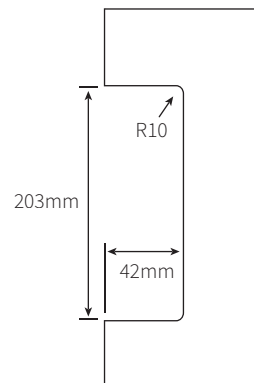
**SLIDING DOOR GLASS MOUNT STRIKE BOX**

Item number	MG590
Description	• sliding door glass mount strike box
Suitable for	<ul style="list-style-type: none"> <li>• MS590 lock</li> <li>• 10mm and 12mm glass thickness</li> </ul>
Material finish	• satin silver

MG590



**GLASS CUT OUT DETAIL**



**ELITE GLASS SOLUTIONS**

**HEAD OFFICE**  
114 Endeavour Way  
Sunshine West  
VIC 3020 Australia

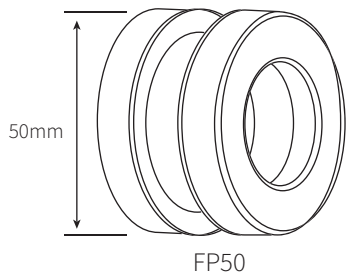
**ADELAIDE OFFICE**  
7 Manfull Street  
Melrose Park  
SA 5039 Australia

1300 4 ELITE | 03 9314 6105  
sales@eliteglassolutions.com.au  
www.eliteglassolutions.com.au

**SLIDING DOOR FINGER PULL**  
50MM DIAMETER

Item number	FP50
Description	<ul style="list-style-type: none"> <li>• sliding door finger pull</li> <li>• 50mm diameter</li> <li>• 40mm diameter hole for glass preparation</li> </ul>
Suitable for	• 10mm and 12mm glass thickness
Material finish	• stainless steel

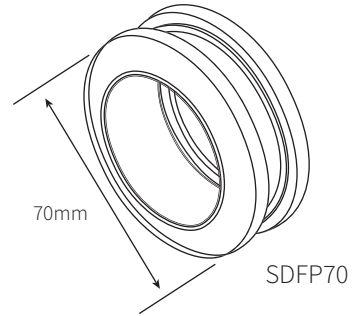
FP50



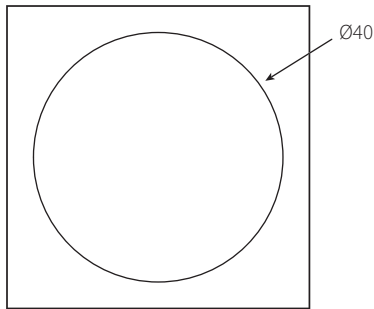
**SLIDING DOOR FINGER PULL**  
70MM DIAMETER

Item number	SDFP70
Description	<ul style="list-style-type: none"> <li>• sliding door finger pull</li> <li>• 70mm diameter</li> <li>• 55mm diameter hole for glass preparation</li> </ul>
Suitable for	• 10mm and 12mm glass thickness
Material finish	• polished or satin stainless steel

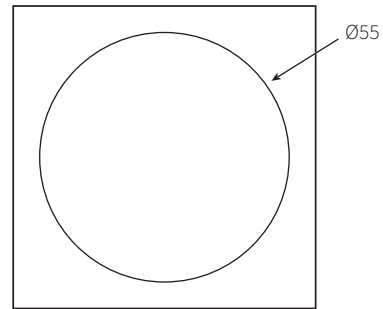
SDFP70



GLASS CUT OUT DETAIL



GLASS CUT OUT DETAIL



**ELITE GLASS SOLUTIONS**

**HEAD OFFICE**  
114 Endeavour Way  
Sunshine West  
VIC 3020 Australia

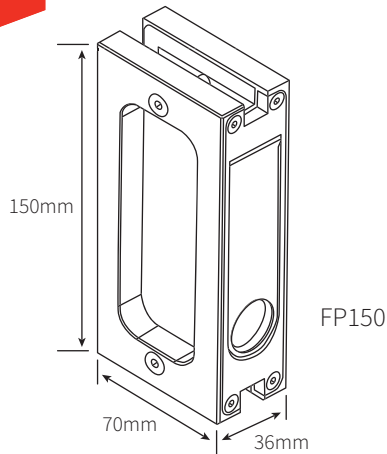
**ADELAIDE OFFICE**  
7 Manfull Street  
Melrose Park  
SA 5039 Australia

1300 4 ELITE | 03 9314 6105  
sales@eliteglassolutions.com.au  
www.eliteglassolutions.com.au

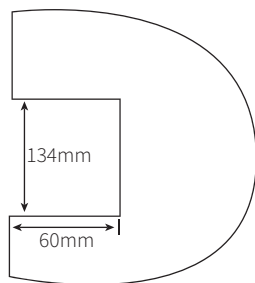
SLIDING DOOR FLUSH

Item number	FP150
Description	<ul style="list-style-type: none"> <li>• sliding door flush</li> <li>• handle with ring pull for cavity installation</li> <li>• 150mm H x 70mm W x 36mm D</li> </ul>
Suitable for	• 10mm and 12mm glass thickness
Material finish	• satin stainless steel

FP150



GLASS CUT OUT DETAIL



**ELITE GLASS SOLUTIONS**

**HEAD OFFICE**  
114 Endeavour Way  
Sunshine West  
VIC 3020 Australia

**ADELAIDE OFFICE**  
7 Manfull Street  
Melrose Park  
SA 5039 Australia

1300 4 ELITE | 03 9314 6105  
 sales@eliteglassolutions.com.au  
 www.eliteglassolutions.com.au

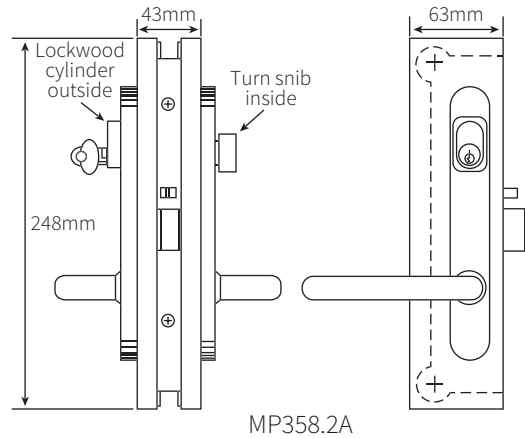
SECURITY PATCH  
AND LEVER LOCKS



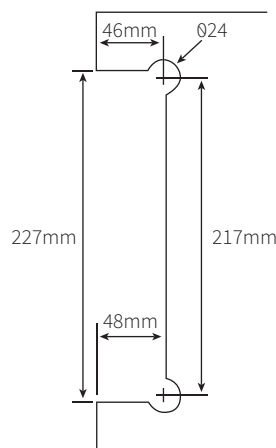
SECURITY PATCH LOCK  
HANDLES BOTH SIDES

Item number	MP358.2A
Description	<ul style="list-style-type: none"> <li>• security patch lock</li> <li>• handles both sides</li> <li>• cylinder outside</li> <li>• snib inside</li> </ul>
Suitable for	<ul style="list-style-type: none"> <li>• 10mm, 12mm and 15mm glass thickness</li> </ul>
Material finish	<ul style="list-style-type: none"> <li>• polished or satin stainless steel</li> </ul>
Order	<ul style="list-style-type: none"> <li>• left or right hand</li> <li>• open in or out</li> </ul>

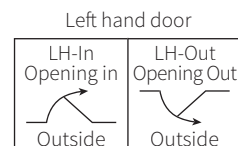
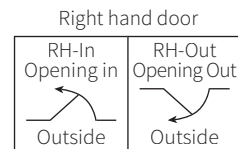
MP358.2A



GLASS CUT OUT DETAIL



To specify handing of door state RH or LH and direction of opening eg. in or out. See guide below



ELITE GLASS  
SOLUTIONS

HEAD OFFICE  
114 Endeavour Way  
Sunshine West  
VIC 3020 Australia

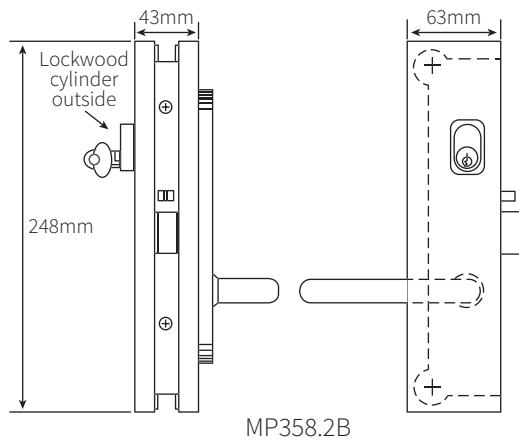
ADELAIDE OFFICE  
7 Manfull Street  
Melrose Park  
SA 5039 Australia

1300 4 ELITE | 03 9314 6105  
sales@eliteglassolutions.com.au  
www.eliteglassolutions.com.au

**SECURITY PATCH LOCK**  
HANDLE INSIDE

Item number	MP358.2B
Description	<ul style="list-style-type: none"> <li>• security patch lock</li> <li>• handle inside</li> <li>• cylinder outside</li> </ul>
Suitable for	• 10mm, 12mm and 15mm glass thickness
Material finish	• polished or satin stainless steel
Order	<ul style="list-style-type: none"> <li>• left or right hand</li> <li>• open in or out</li> </ul>

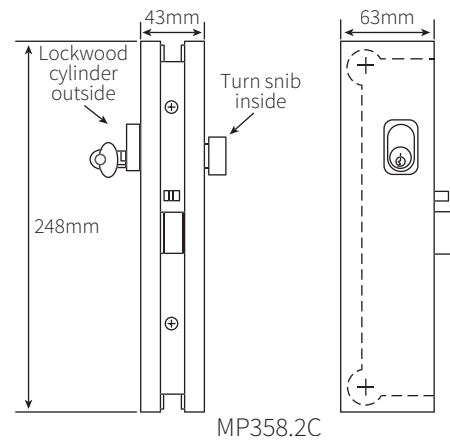
**MP358.2B**



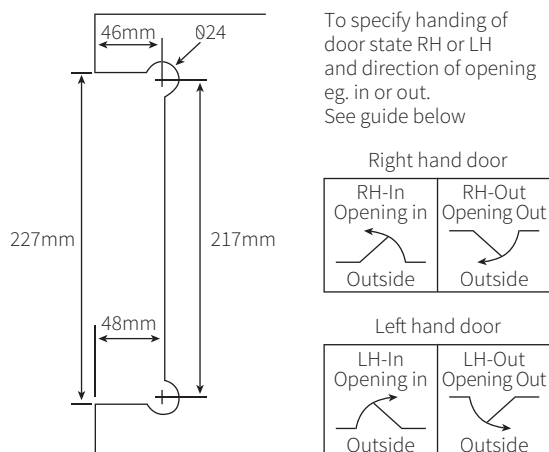
**SECURITY PATCH LOCK**  
NO HANDLES

Item number	MP358.2C
Description	<ul style="list-style-type: none"> <li>• security patch lock</li> <li>• no handles</li> <li>• cylinder outside</li> <li>• snib inside</li> </ul>
Suitable for	• 10mm, 12mm and 15mm glass thickness
Material finish	• polished or satin stainless steel
Order	<ul style="list-style-type: none"> <li>• left or right hand</li> <li>• open in or out</li> </ul>

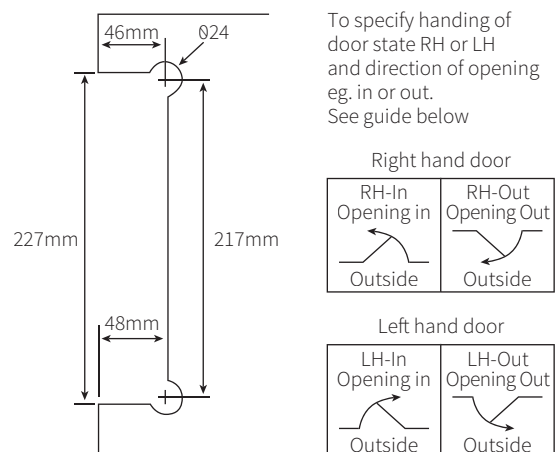
**MP358.2C**



**GLASS CUT OUT DETAIL**



**GLASS CUT OUT DETAIL**



**ELITE GLASS SOLUTIONS**

**HEAD OFFICE**  
114 Endeavour Way  
Sunshine West  
VIC 3020 Australia

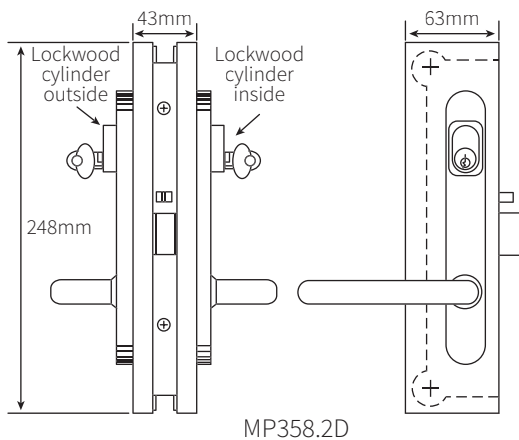
**ADELAIDE OFFICE**  
7 Manfull Street  
Melrose Park  
SA 5039 Australia

1300 4 ELITE | 03 9314 6105  
sales@eliteglassolutions.com.au  
www.eliteglassolutions.com.au

**SECURITY** PATCH LOCK HANDLES BOTH SIDES CYLINDER INSIDE AND OUTSIDE

Item number	MP358.2D
Description	<ul style="list-style-type: none"> <li>• security patch lock</li> <li>• handles both sides</li> <li>• cylinder inside and outside</li> </ul>
Suitable for	• 10mm, 12mm and 15mm glass thickness
Material finish	• polished or satin stainless steel
Order	<ul style="list-style-type: none"> <li>• left or right hand</li> <li>• open in or out</li> </ul>

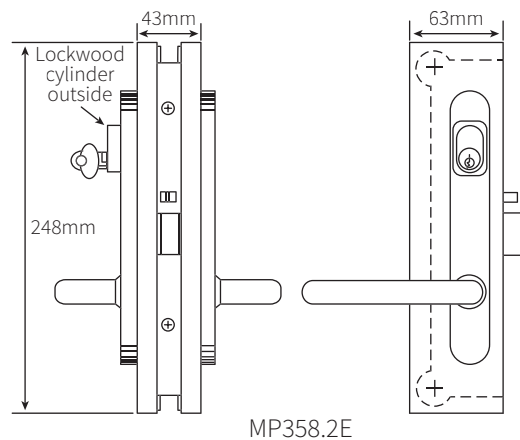
MP358.2D



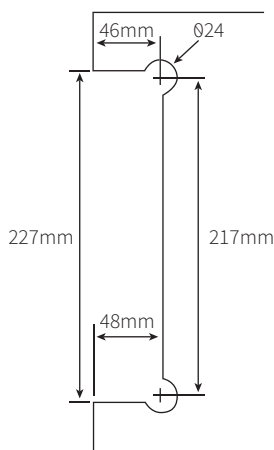
**SECURITY** PATCH LOCK HANDLES BOTH SIDES CYLINDER OUTSIDE

Item number	MP358.2E
Description	<ul style="list-style-type: none"> <li>• security patch lock</li> <li>• handles both sides</li> <li>• cylinder outside</li> </ul>
Suitable for	• 10mm, 12mm and 15mm glass thickness
Material finish	• polished or satin stainless steel
Order	<ul style="list-style-type: none"> <li>• left or right hand</li> <li>• open in or out</li> </ul>

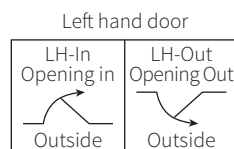
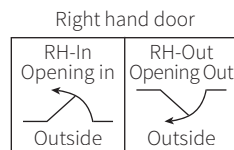
MP358.2E



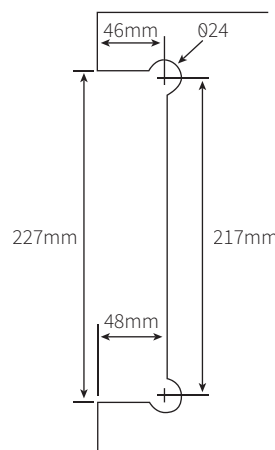
GLASS CUT OUT DETAIL



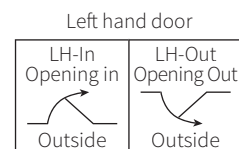
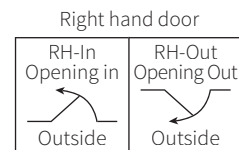
To specify handing of door state RH or LH and direction of opening eg. in or out. See guide below



GLASS CUT OUT DETAIL



To specify handing of door state RH or LH and direction of opening eg. in or out. See guide below



**ELITE GLASS SOLUTIONS**

**HEAD OFFICE**  
114 Endeavour Way  
Sunshine West  
VIC 3020 Australia

**ADELAIDE OFFICE**  
7 Manfull Street  
Melrose Park  
SA 5039 Australia

1300 4 ELITE | 03 9314 6105  
sales@eliteglassolutions.com.au  
www.eliteglassolutions.com.au

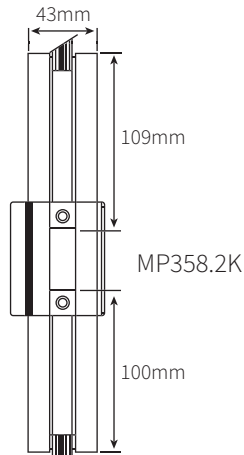
**SECURITY PATCH LOCK KEEPER**

Item number	MP358.2K
Description	• security patch lock keeper
Suitable for	• strike patch for glass side light application
Material finish	• polished or satin stainless steel
Order	• specify sidelight glass thickness

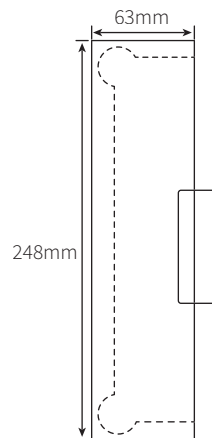
**STRIKE PLATE PATCH LOCK**

Item number	MP358.2SP
Description	• strike plate patch lock
Suitable for	• striker plate for attaching to aluminium or timber frame
Material finish	• polished or satin stainless steel

**MP358.2K  
MP358.2SP**



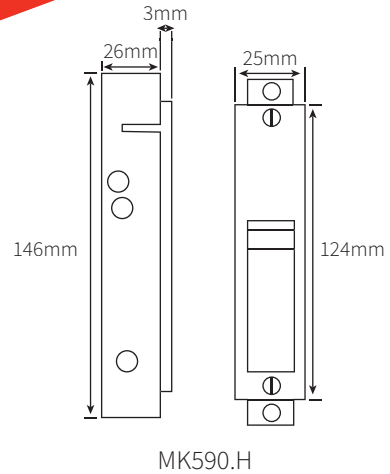
**GLASS CUT OUT DETAIL**



**WALL MOUNT STRIKE BOX PATCH LOCK**

Item number	MK590.H
Description	• wall mount strike box patch lock
Suitable for	• striker patch unit for sliding door application
Material finish	• polished or satin stainless steel

**MK590.H**



**ELITE GLASS SOLUTIONS**

**HEAD OFFICE**  
114 Endeavour Way  
Sunshine West  
VIC 3020 Australia

**ADELAIDE OFFICE**  
7 Manfull Street  
Melrose Park  
SA 5039 Australia

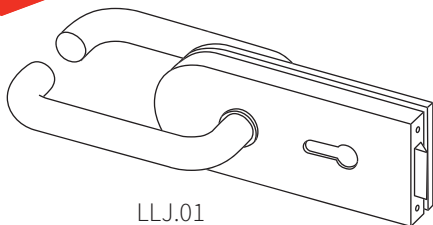
1300 4 ELITE | 03 9314 6105  
sales@eliteglassolutions.com.au  
www.eliteglassolutions.com.au



**LEVER LOCKSET**  
SUITABLE FOR TIMBER OR ALUMINIUM JAMB

Item number	LLJ.01
Description	• lever lockset
Suitable for	• locking to timber or aluminium jamb
Material finish	• polished or satin stainless steel

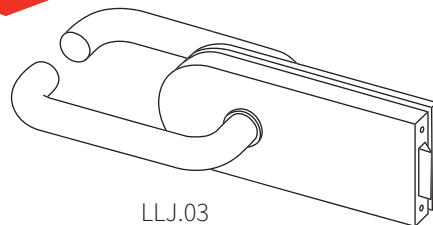
LLJ.01



**LEVER LATCHSET**  
SUITABLE FOR TIMBER OR ALUMINIUM JAMB

Item number	LLJ.03
Description	• lever latchset
Suitable for	• latching to timber or aluminium jamb
Material finish	• polished or satin stainless steel

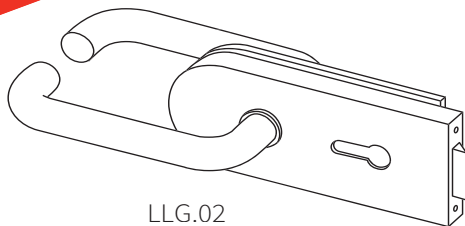
LLJ.03



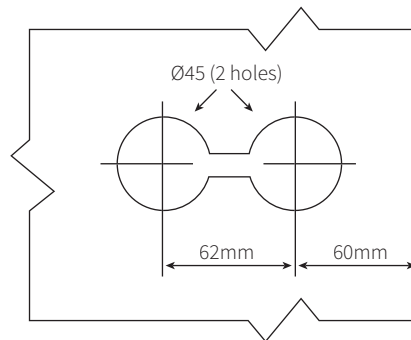
**LEVER LOCKSET**  
SUITABLE FOR GLASS SIDELITE

Item number	LLG.02
Description	• lever lockset
Suitable for	• locking to glass sidelite
Material finish	• polished or satin stainless steel

LLG.02



**GLASS CUT OUT DETAIL**  
LLJ.01, LLG.02, LLJ.03



**ELITE GLASS SOLUTIONS**

**HEAD OFFICE**  
114 Endeavour Way  
Sunshine West  
VIC 3020 Australia

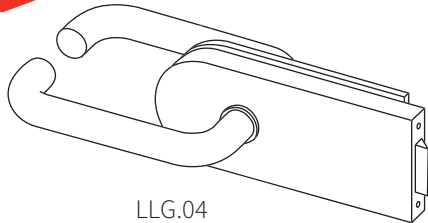
**ADELAIDE OFFICE**  
7 Manfull Street  
Melrose Park  
SA 5039 Australia

1300 4 ELITE | 03 9314 6105  
sales@eliteglassolutions.com.au  
www.eliteglassolutions.com.au

**LEVER LATCHSET**  
SUITABLE FOR GLASS SIDELITE

Item number	LLG.04
Description	• lever latchset
Suitable for	• latching to glass sidelite
Material finish	• polished or satin stainless steel

LLG.04

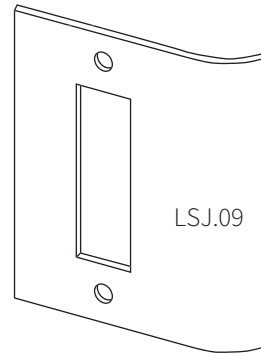


LLG.04

**STRIKE PLATE**  
SUITABLE FOR ALUMINIUM OR TIMBER JAMBS

Item number	LSJ.09
Description	• strike plate
Suitable for	• aluminium or timber jambs
Material finish	• polished or satin stainless steel

LSJ.09

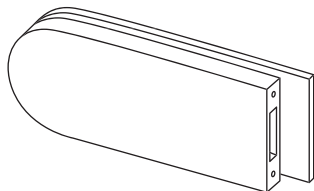


LSJ.09

**STRIKE BOX**  
SUITABLE FOR GLASS SIDELITE

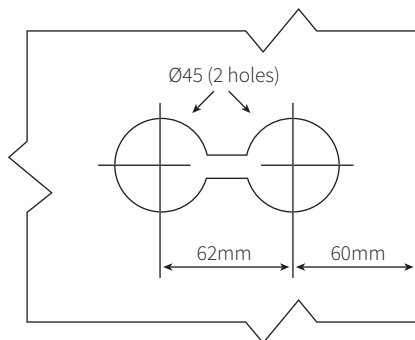
Item number	LSG.08
Description	• strike box
Suitable for	• glass sidelite
Material finish	• polished or satin stainless steel

LSG.08



LSG.08

**GLASS CUT OUT DETAIL** LLG.04, LSG.08



**ELITE GLASS SOLUTIONS**

**HEAD OFFICE**  
114 Endeavour Way  
Sunshine West  
VIC 3020 Australia

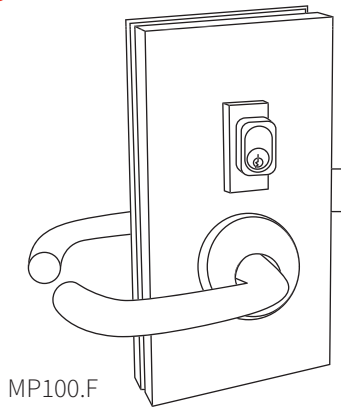
**ADELAIDE OFFICE**  
7 Manfull Street  
Melrose Park  
SA 5039 Australia

1300 4 ELITE | 03 9314 6105  
sales@eliteglassolutions.com.au  
www.eliteglassolutions.com.au

## SECURITY PATCH LOCK

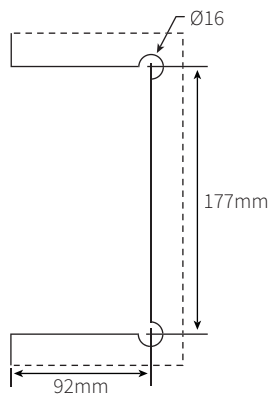
Item number	MP100.F
Description	<ul style="list-style-type: none"> <li>• security patch lock</li> <li>• handle both sides</li> </ul>
Suitable for	<ul style="list-style-type: none"> <li>• 10mm, 12mm and 15mm glass thickness</li> </ul>
Material finish	<ul style="list-style-type: none"> <li>• polished or satin stainless steel</li> </ul>
Order	<ul style="list-style-type: none"> <li>• left or right hand</li> <li>• open in or out</li> </ul>

MP100.F



MP100.F

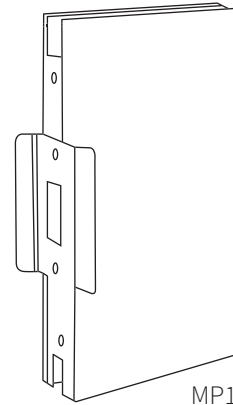
### GLASS CUT OUT DETAIL



## CENTRE PATCH KEEPER

Item number	MP100.K
Description	<ul style="list-style-type: none"> <li>• centre patch keeper</li> </ul>
Suitable for	<ul style="list-style-type: none"> <li>• MP100.F</li> </ul>
Material finish	<ul style="list-style-type: none"> <li>• polished or satin stainless steel</li> </ul>

MP100.K

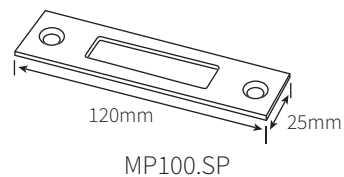


MP100.K

## STRIKE PLATE

Item number	MP100.SP
Description	<ul style="list-style-type: none"> <li>• strike plate</li> </ul>
Suitable for	<ul style="list-style-type: none"> <li>• MP100.F</li> </ul>
Material finish	<ul style="list-style-type: none"> <li>• polished or satin stainless steel</li> </ul>

MP100.SP



MP100.SP



**ELITE GLASS SOLUTIONS**

**HEAD OFFICE**  
114 Endeavour Way  
Sunshine West  
VIC 3020 Australia

**ADELAIDE OFFICE**  
7 Manfull Street  
Melrose Park  
SA 5039 Australia

1300 4 ELITE | 03 9314 6105  
sales@eliteglassolutions.com.au  
www.eliteglassolutions.com.au

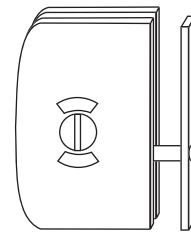
INDICATOR LOCKS FOR SWING DOORS



GLASS SWING DOOR INDICATOR LOCK  
DOOR TO WALL

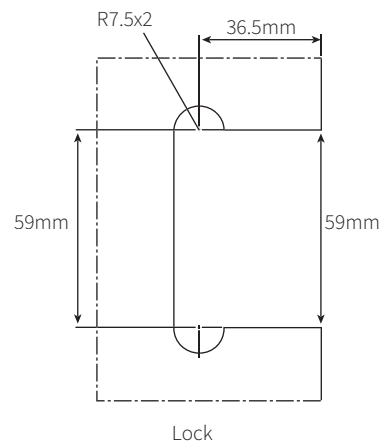
Item number	IL700C
Description	<ul style="list-style-type: none"> <li>• glass swing door indicator lock</li> <li>• door to wall</li> <li>• with emergency access</li> </ul>
Suitable for	<ul style="list-style-type: none"> <li>• toilet and bathroom doors</li> <li>• 8mm and 10mm glass thickness</li> </ul>
Material finish	• polished or satin chrome

IL700C



IL700C

GLASS CUT OUT DETAIL



ELITE GLASS SOLUTIONS

HEAD OFFICE  
114 Endeavour Way  
Sunshine West  
VIC 3020 Australia

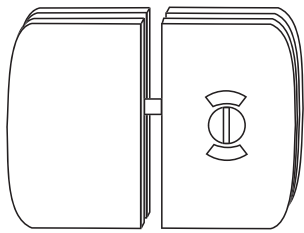
ADELAIDE OFFICE  
7 Manfull Street  
Melrose Park  
SA 5039 Australia

1300 4 ELITE | 03 9314 6105  
sales@eliteglassolutions.com.au  
www.eliteglassolutions.com.au

**GLASS SWING DOOR INDICATOR LOCK**  
DOOR TO SIDEPANEL

Item number	IL701C
Description	<ul style="list-style-type: none"> <li>• glass swing door indicator lock</li> <li>• door to sidepanel</li> </ul>
Suitable for	<ul style="list-style-type: none"> <li>• toilet and bathroom doors</li> <li>• 8mm and 10mm glass thickness</li> </ul>
Material finish	• polished or satin chrome

IL701C

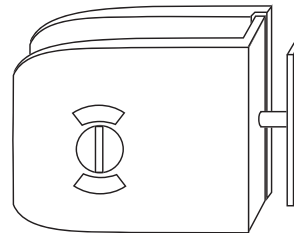


IL701C

**GLASS SWING DOOR INDICATOR LOCK**  
DOOR TO WALL

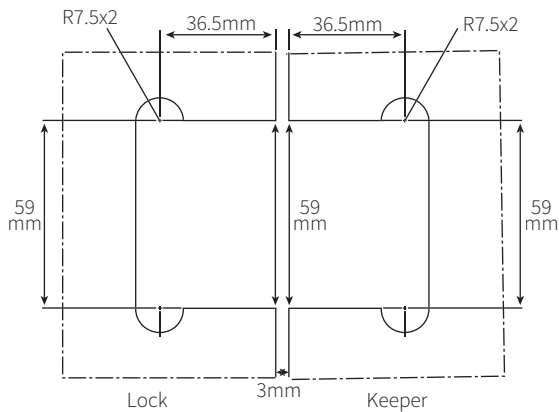
Item number	IL600C
Description	<ul style="list-style-type: none"> <li>• glass swing door indicator lock</li> <li>• door to wall</li> <li>• no glass cut out required</li> </ul>
Suitable for	<ul style="list-style-type: none"> <li>• toilet and bathroom doors</li> <li>• 8mm and 10mm glass thickness</li> </ul>
Material finish	• polished or satin chrome

IL600C



IL600C

GLASS CUT OUT DETAIL



NO GLASS CUT OUT REQUIRED



**ELITE GLASS SOLUTIONS**

**HEAD OFFICE**  
114 Endeavour Way  
Sunshine West  
VIC 3020 Australia

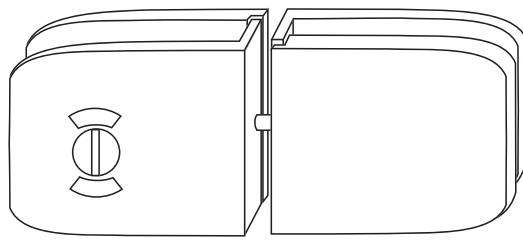
**ADELAIDE OFFICE**  
7 Manfull Street  
Melrose Park  
SA 5039 Australia

1300 4 ELITE | 03 9314 6105  
sales@eliteglassolutions.com.au  
www.eliteglassolutions.com.au

**GLASS SWING DOOR** INDICATOR LOCK  
DOOR TO SIDE PANEL

Item number	IL601C
Description	<ul style="list-style-type: none"> <li>• glass swing door indicator lock</li> <li>• door to side panel</li> <li>• no glass cut out required</li> </ul>
Suitable for	<ul style="list-style-type: none"> <li>• toilet and bathroom doors</li> <li>• 8mm and 10mm glass thickness</li> </ul>
Material finish	• polished or satin chrome

IL601C



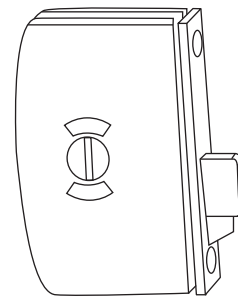
IL601C

NO GLASS CUT OUT REQUIRED

**GLASS SLIDING DOOR** INDICATOR LOCK  
DOOR TO WALL

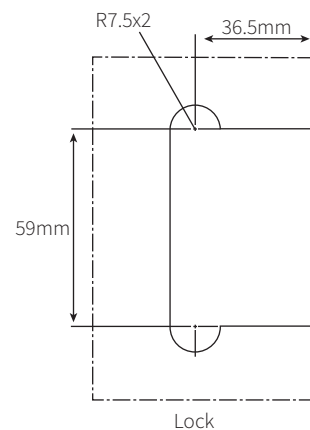
Item number	IL700C.H
Description	<ul style="list-style-type: none"> <li>• glass sliding door indicator lock</li> <li>• door to wall</li> <li>– glass cut out required</li> </ul>
Suitable for	<ul style="list-style-type: none"> <li>• toilet and bathroom doors</li> <li>• 8mm and 10mm glass thickness</li> </ul>
Material finish	• satin chrome

IL700C.H



IL700C.H

GLASS CUT OUT DETAIL



**ELITE GLASS SOLUTIONS**

**HEAD OFFICE**  
114 Endeavour Way  
Sunshine West  
VIC 3020 Australia

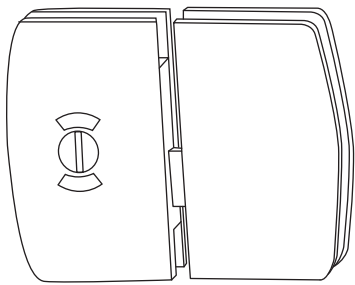
**ADELAIDE OFFICE**  
7 Manfull Street  
Melrose Park  
SA 5039 Australia

1300 4 ELITE | 03 9314 6105  
sales@eliteglassolutions.com.au  
www.eliteglassolutions.com.au

**GLASS SLIDING DOOR** INDICATOR LOCK  
DOOR TO SIDE PANEL

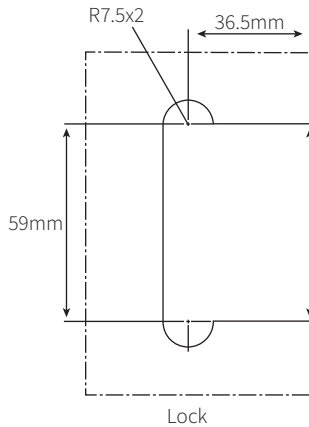
Item number	IL701C.H
Description	<ul style="list-style-type: none"> <li>• glass sliding door indicator lock</li> <li>• door to side panel</li> <li>– glass cut out required</li> </ul>
Suitable for	<ul style="list-style-type: none"> <li>• toilet and bathroom doors</li> <li>• 8mm and 10mm glass thickness</li> </ul>
Material finish	• satin chrome

IL701C.H



IL701C.H

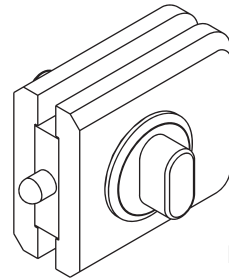
GLASS CUT OUT DETAIL



**RIVIERA** BOAT LATCH

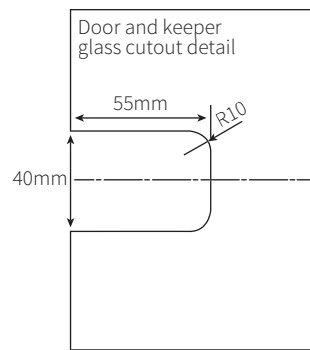
Item number	<ul style="list-style-type: none"> <li>• FF930.6 suits 6mm glass thickness</li> <li>• FF930.6K glass keeper to suit latch</li> <li>• FF930.10 suits 10mm glass thickness</li> <li>• FF93.10K glass keeper to suit latch</li> </ul>
Description	<ul style="list-style-type: none"> <li>• Riviera boat latch</li> <li>• manufactured in brass</li> <li>• sliding bolt spring action</li> <li>• non-locking</li> </ul>
Suitable for	• use in conjunction with ES hinge range for boat showers
Material finish	• polished chrome

FF930



FF930

GLASS CUT OUT DETAIL



**ELITE GLASS SOLUTIONS**

**HEAD OFFICE**  
114 Endeavour Way  
Sunshine West  
VIC 3020 Australia

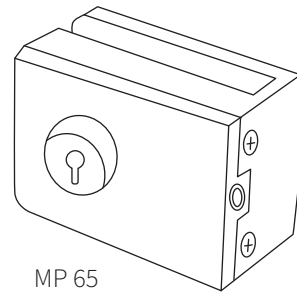
**ADELAIDE OFFICE**  
7 Manfull Street  
Melrose Park  
SA 5039 Australia

1300 4 ELITE | 03 9314 6105  
sales@eliteglassolutions.com.au  
www.eliteglassolutions.com.au

PRIVACY  
PATCH LOCKS  
AND LATCHESPRIVACY PATCH LOCK SLIDE-ON  
GLASS TO WALL - FLOOR LOCK

Item number	MP65
Description	<ul style="list-style-type: none"> <li>• patch lock slide-on</li> <li>• glass to wall - floor lock</li> <li>• complete with wall keeper plate</li> <li>• 5mm-6mm clearance between glass and wall</li> <li>• no glass cut out required</li> </ul>
Suitable for	• 10mm and 12mm glass thickness
Material finish	• polished or satin stainless steel

MP65



MP 65

NO GLASS CUT OUT REQUIRED

ELITE GLASS  
SOLUTIONS

**HEAD OFFICE**  
114 Endeavour Way  
Sunshine West  
VIC 3020 Australia

**ADELAIDE OFFICE**  
7 Manfull Street  
Melrose Park  
SA 5039 Australia

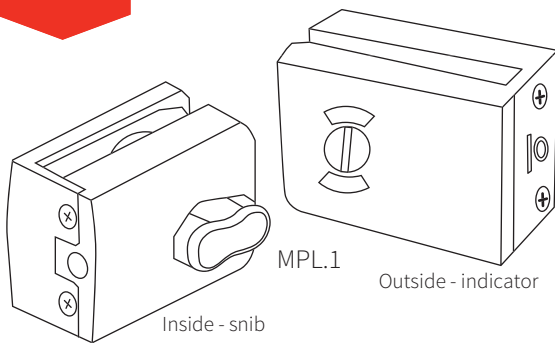
1300 4 ELITE | 03 9314 6105  
sales@eliteglassolutions.com.au  
www.eliteglassolutions.com.au



**PRIVACY LATCH AND LOCK**  
SLIDE-ON GLASS TO WALL

Item number	MPL.1
Description	<ul style="list-style-type: none"> <li>• privacy latch and lock</li> <li>• slide-on glass to wall</li> <li>• complete with wall keeper plate</li> <li>• 5mm-6mm clearance between glass and wall</li> <li>• no glass cut out required</li> </ul>
Suitable for	• 8mm and 10mm glass thickness
Material finish	• polished or satin chrome

MPL.1

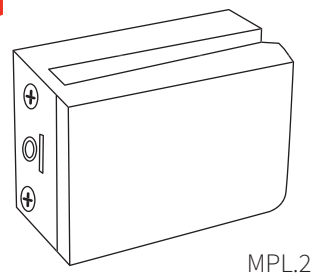


NO GLASS CUT OUT REQUIRED

**PRIVACY LATCH AND LOCK**  
SLIDE-ON GLASS TO GLASS

Item number	MPL.2
Description	<ul style="list-style-type: none"> <li>• privacy latch and lock</li> <li>• slide-on glass to glass</li> <li>• complete with glass keeper</li> <li>• 7mm-8mm clearance between glass and wall</li> <li>• no glass cut out required</li> </ul>
Suitable for	• 8mm and 10mm glass thickness
Material finish	• polished or satin chrome

MPL.2



NO GLASS CUT OUT REQUIRED



**ELITE GLASS SOLUTIONS**

**HEAD OFFICE**  
114 Endeavour Way  
Sunshine West  
VIC 3020 Australia

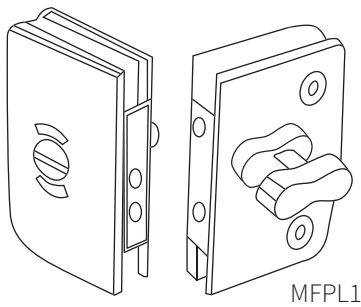
**ADELAIDE OFFICE**  
7 Manfull Street  
Melrose Park  
SA 5039 Australia

1300 4 ELITE | 03 9314 6105  
sales@eliteglassolutions.com.au  
www.eliteglassolutions.com.au

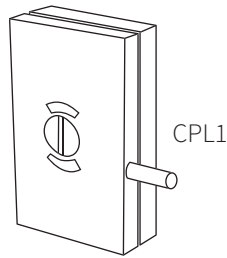
**PIVOT AND SLIDING DOOR PRIVACY LATCH GLASS TO WALL**

Item number	<ul style="list-style-type: none"> <li>MFPL1 - square profile</li> <li>CPL1 - round profile</li> </ul>
Description	<ul style="list-style-type: none"> <li>pivot and sliding door privacy latch</li> <li>glass to wall</li> <li>complete with keeper plate</li> <li>available in square or round profile</li> </ul>
Suitable for	<ul style="list-style-type: none"> <li>8mm and 10mm glass thickness</li> </ul>
Material finish	<ul style="list-style-type: none"> <li>polished or satin chrome</li> </ul>

**MFPL1  
CPL1**

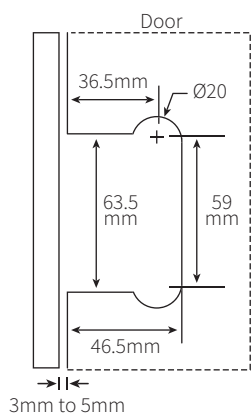


MFPL1



CPL1

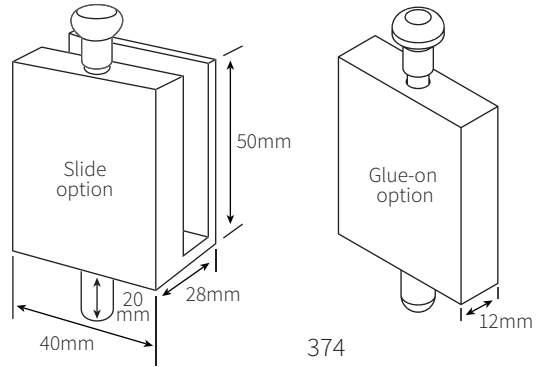
**GLASS CUT OUT DETAIL**



**PATCH BOLT LOCK SLIDE-ON**

Item number	374
Description	<ul style="list-style-type: none"> <li>patch bolt lock slide-on</li> <li>no glass cut out required</li> </ul>
Suitable for	<ul style="list-style-type: none"> <li>10mm and 12mm glass thickness</li> </ul>
Material finish	<ul style="list-style-type: none"> <li>natural silver anodised</li> </ul>

**374**

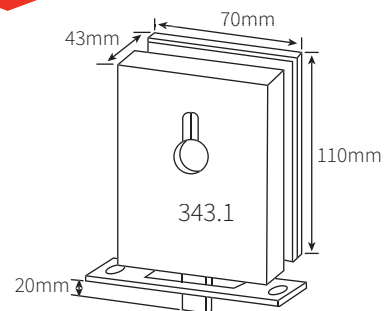


**NO GLASS CUT OUT REQUIRED**

**PATCH LOCK SLIDE-ON**

Item number	343.1
Description	<ul style="list-style-type: none"> <li>patch lock slide-on</li> <li>complete with single sided key cylinder</li> <li>no glass cut out required</li> </ul>
Suitable for	<ul style="list-style-type: none"> <li>10mm and 12mm glass thickness</li> </ul>
Material finish	<ul style="list-style-type: none"> <li>natural silver anodised</li> </ul>

**343.1**



**NO GLASS CUT OUT REQUIRED**



**ELITE GLASS SOLUTIONS**

**HEAD OFFICE**  
114 Endeavour Way  
Sunshine West  
VIC 3020 Australia

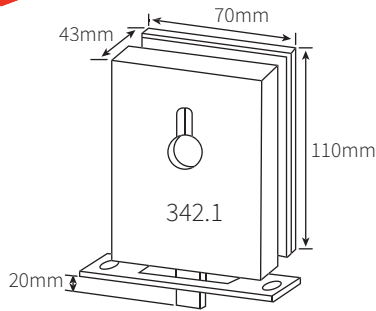
**ADELAIDE OFFICE**  
7 Manfull Street  
Melrose Park  
SA 5039 Australia

1300 4 ELITE | 03 9314 6105  
sales@eliteglassolutions.com.au  
www.eliteglassolutions.com.au

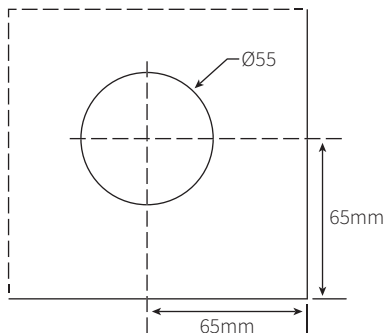
PATCH LOCK

Item number	342.1
Description	<ul style="list-style-type: none"> <li>• patch lock</li> <li>• complete with cylinder/snib and keeper plate</li> <li>• glass cut out required</li> </ul>
Suitable for	• 10mm and 12mm glass thickness
Material finish	• natural silver anodised

342.1



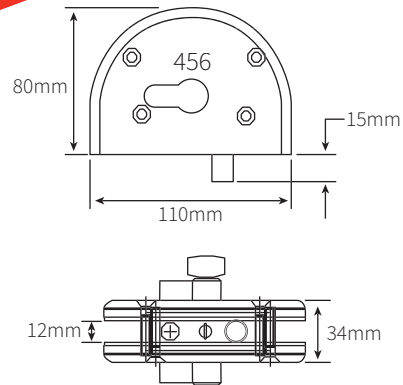
GLASS CUT OUT DETAIL



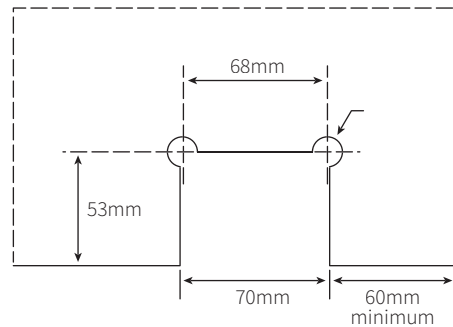
PROFILE PLUNGER LOCK

Item number	456
Description	<ul style="list-style-type: none"> <li>• profile plunger lock</li> <li>• glass cut out required</li> <li>• non-stock item available with lead-time</li> </ul>
Suitable for	• 10mm and 12mm glass thickness
Material finish	• polished or satin stainless steel

456



GLASS CUT OUT DETAIL



ELITE GLASS SOLUTIONS

HEAD OFFICE  
114 Endeavour Way  
Sunshine West  
VIC 3020 Australia

ADELAIDE OFFICE  
7 Manfull Street  
Melrose Park  
SA 5039 Australia

1300 4 ELITE | 03 9314 6105  
sales@eliteglassolutions.com.au  
www.eliteglassolutions.com.au

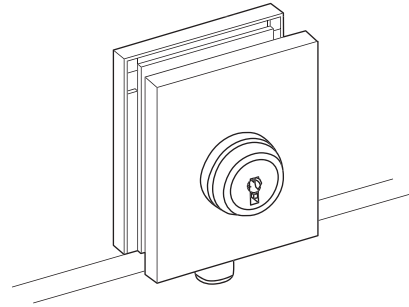
CASMA LOCKS



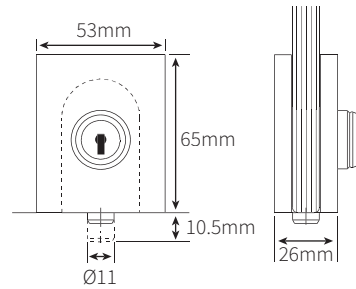
**BOTTOM PIN LOCK**  
CASMA

Item number	SBC14600
Description	<ul style="list-style-type: none"> <li>• bottom pin lock - CASMA</li> <li>• internal single cylinder lock</li> <li>• maximum glass hold 90kg</li> </ul>
Suitable for	<ul style="list-style-type: none"> <li>• 8mm, 10mm and 12mm glass thickness</li> </ul>
Material finish	<ul style="list-style-type: none"> <li>• polished or satin stainless steel</li> </ul>

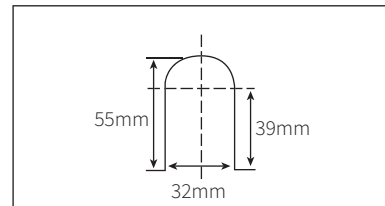
SBC14600



SBC14600



GLASS CUT OUT DETAIL



**ELITE GLASS SOLUTIONS**

**HEAD OFFICE**  
114 Endeavour Way  
Sunshine West  
VIC 3020 Australia

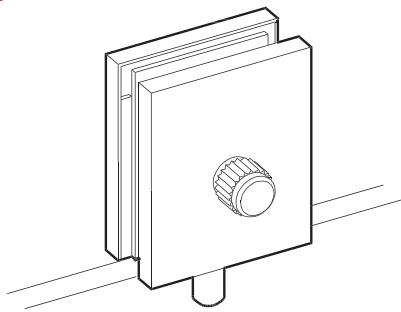
**ADELAIDE OFFICE**  
7 Manfull Street  
Melrose Park  
SA 5039 Australia

1300 4 ELITE | 03 9314 6105  
sales@eliteglassolutions.com.au  
www.eliteglassolutions.com.au

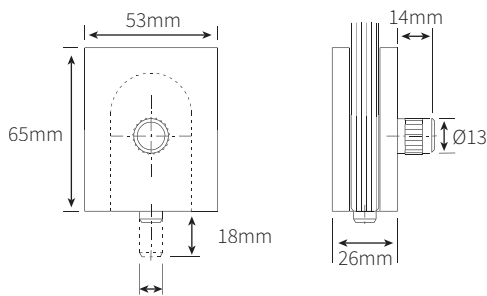
**BOTTOM PIN LOCK WITH THUMBTURN**  
CASMA

Item number	SBC14700
Description	<ul style="list-style-type: none"> <li>• bottom pin lock with thumbturn - CASMA</li> <li>• internal single snib lock</li> <li>• maximum glass hold 90kg</li> </ul>
Suitable for	<ul style="list-style-type: none"> <li>• 8mm, 10mm and 12mm glass thickness</li> </ul>
Material finish	<ul style="list-style-type: none"> <li>• polished or satin stainless steel</li> </ul>

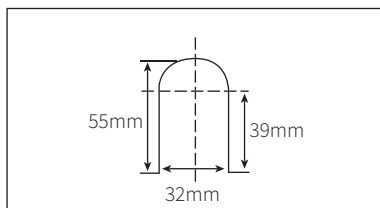
SBC14700



SBC14700



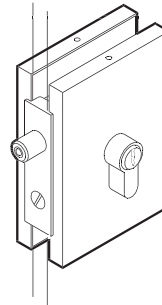
GLASS CUT OUT DETAIL



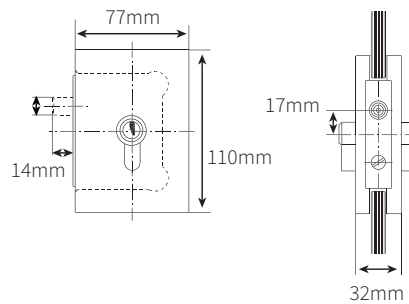
**CENTRE OR BOTTOM DOOR LOCK**  
CASMA

Item number	SBC16000
Description	<ul style="list-style-type: none"> <li>• centre or bottom door lock - CASMA</li> <li>• euro-style cylinder</li> <li>• maximum glass hold 100kg</li> </ul>
Suitable for	<ul style="list-style-type: none"> <li>• doors in cabinets, showcases or similar</li> <li>• 8mm, 10mm and 12mm glass thickness</li> </ul>
Material finish	<ul style="list-style-type: none"> <li>• polished or satin stainless steel</li> <li>• natural anodised</li> <li>• polished brass (lead time applies)</li> </ul>

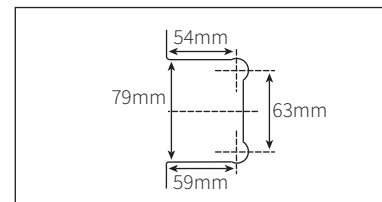
SBC16000



SBC16000



GLASS CUT OUT DETAIL



**ELITE GLASS SOLUTIONS**

**HEAD OFFICE**  
114 Endeavour Way  
Sunshine West  
VIC 3020 Australia

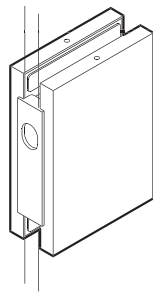
**ADELAIDE OFFICE**  
7 Manfull Street  
Melrose Park  
SA 5039 Australia

1300 4 ELITE | 03 9314 6105  
sales@eliteglassolutions.com.au  
www.eliteglassolutions.com.au

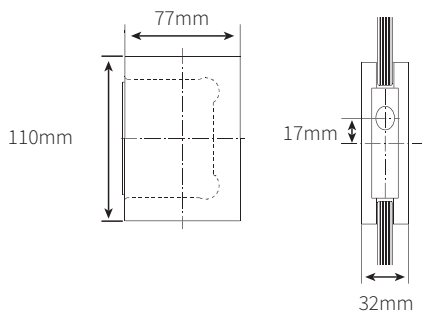
**LOCK STRIKE KEEPER**  
CASMA

Item number	SBC16100
Description	<ul style="list-style-type: none"> <li>lock strike keeper - CASMA</li> <li>maximum glass hold 150kg</li> </ul>
Suitable for	<ul style="list-style-type: none"> <li>SBC16000</li> <li>8mm, 10mm and 12mm glass thickness</li> </ul>
Material finish	<ul style="list-style-type: none"> <li>polished or satin stainless steel</li> <li>natural anodised</li> <li>polished brass</li> </ul>

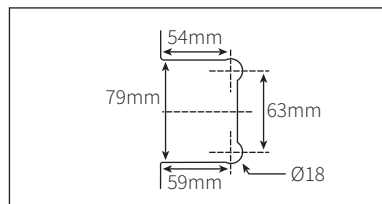
SBC16100



SBC16100



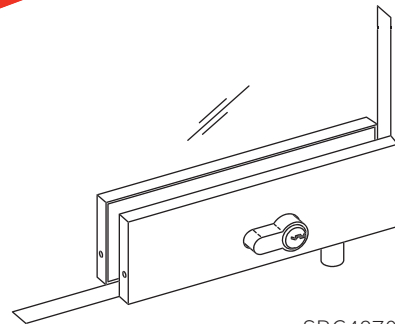
GLASS CUT OUT DETAIL



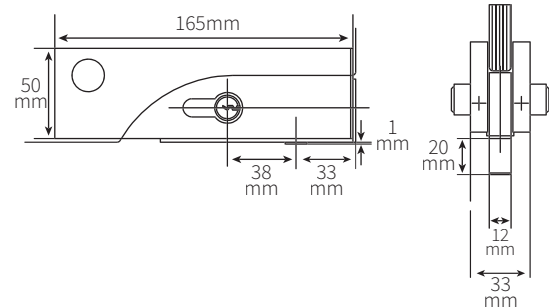
**CORNER PIN LOCK**  
CASMA

Item number	SBC48700
Description	<ul style="list-style-type: none"> <li>corner pin lock - CASMA</li> <li>maximum glass hold 150kg</li> <li>recommended torque for fixing screws Nm 14-16</li> <li>euro style cylinder</li> </ul>
Suitable for	<ul style="list-style-type: none"> <li>SBC16000</li> <li>10mm, 12mm and 15mm glass thickness</li> </ul>
Material finish	<ul style="list-style-type: none"> <li>polished or satin stainless steel</li> <li>natural anodised</li> <li>polished brass</li> </ul>

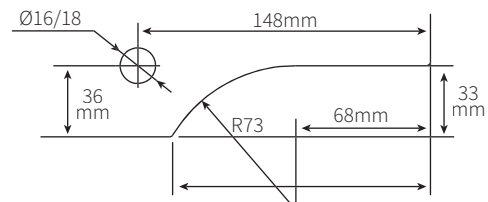
SBC48700



SBC48700



GLASS CUT OUT DETAIL



**ELITE GLASS SOLUTIONS**

**HEAD OFFICE**  
114 Endeavour Way  
Sunshine West  
VIC 3020 Australia

**ADELAIDE OFFICE**  
7 Manfull Street  
Melrose Park  
SA 5039 Australia

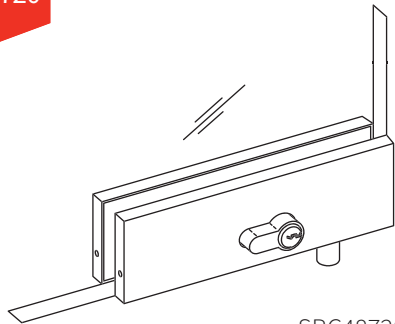
1300 4 ELITE | 03 9314 6105  
sales@eliteglassolutions.com.au  
www.eliteglassolutions.com.au



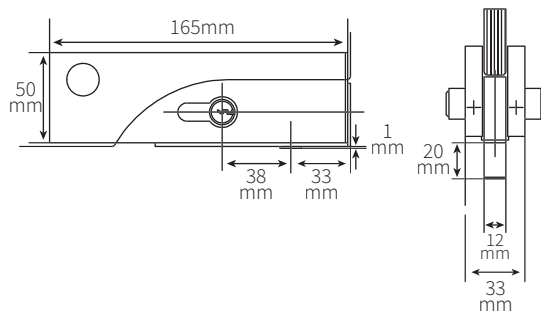
**CORNER PIN LOCK - CASMA**  
SUITABLE FOR 19MM GLASS THICKNESS

Item number	SBC48720
Description	<ul style="list-style-type: none"> <li>• corner pin lock - CASMA</li> <li>• maximum glass hold 250kg</li> <li>• recommended torque for fixing screws Nm 14-16</li> <li>• euro style cylinder</li> </ul>
Suitable for	<ul style="list-style-type: none"> <li>• 19mm glass thickness</li> </ul>
Material finish	<ul style="list-style-type: none"> <li>• polished or satin stainless steel</li> <li>• natural anodised</li> <li>• polished brass</li> </ul>

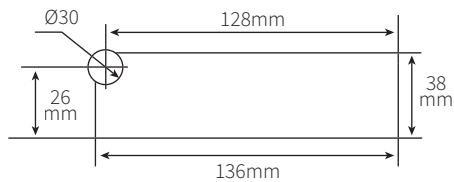
SBC48720



SBC48720



GLASS CUT OUT DETAIL



**ELITE GLASS SOLUTIONS**

**HEAD OFFICE**  
114 Endeavour Way  
Sunshine West  
VIC 3020 Australia

**ADELAIDE OFFICE**  
7 Manfull Street  
Melrose Park  
SA 5039 Australia

1300 4 ELITE | 03 9314 6105  
sales@eliteglassolutions.com.au  
www.eliteglassolutions.com.au