

POOL HARDWARE

FLOOR SPRINGS	3
SELF CLOSING PATCH.....	4
HINGES	6
POOL GATE LATCHES	12
PIVOTS	18
PATCHES	23



CONTENTS		
FLOOR SPRINGS		3
FS.RESIN	SEALING COMPOUND	3
EF820	DOUBLE ACTION FLOOR SPRING	3
SELF CLOSING PATCH		4-5
EHP100.NHO	OZONE HYDRAULIC PATCH FITTING SELF CLOSING	4
HINGES		6-11
PGG	SELF-CLOSING SAFETY HINGE GLASS TO GLASS	6
PGW	SELF-CLOSING SAFETY HINGE GLASS TO WALL	8
POW	SELF-CLOSING SAFETY HINGE GLASS TO OFFSET WALL PLATE	9
PSP	SELF-CLOSING SAFETY HINGE GLASS TO SQUARE POST	10
PRP	SELF-CLOSING SAFETY HINGE GLASS TO ROUND POST	11
POOL GATE LATCHES		13-17
PL1	POOL GATE LATCH AND STRIKE GLASS TO POST	12
PL1RP	POOL GATE LATCH AND STRIKE GLASS TO ROUND POST	13
PL2	POOL GATE LATCH AND KEEPER GLASS TO GLASS	13
PL290	POOL GATE LATCH AND KEEPER GLASS TO GLASS 90°	14
PL290.R	POOL GATE LATCH AND KEEPER GLASS TO GLASS 90°	14
PL2.FF	POOL GATE LATCH - GLASS TO GLASS FRICTION FIT 180°	15
PG1	POOL GATE LATCH KIT GLASS TO WALL SQUARE POST	15
PG90R	POOL GATE LATCH KIT GLASS TO GLASS 90° EXTERNAL	16
PG90	POOL GATE LATCH KIT GLASS TO GLASS 90° INTERNAL	16
MLSPS2 MLSPS2.L	POOL GATE LATCH ONLY FACE MOUNT	17
PG2	POOL GATE LATCH KIT GLASS TO GLASS	17

CONTENTS		
PIVOTS		18-22
FPF6	PIVOT ARM TOP GLASS TO GLASS	18
FPF8	PIVOT ARM TOP GLASS TO WALL	19
FPF5	PIVOT ARM TOP GLASS TO WALL	19
FPF5.P	PIVOT ARM TOP GLASS TO ROUND POST	20
FPF7	PIVOT TOP BRACKET	20
FPF7.KIT	PIVOT TOP SET KIT	21
FPF790.L FPF790.R	EUROPOOL PIVOT ARM TOP 90°	22
PATCHES		23-24
HP10	BOTTOM PATCH FITTING FOR 10/12MM GLASS THICKNESS	23
HP20	TOP PIVOT PATCH FITTING FOR 10/12MM GLASS THICKNESS	23
HP20PG	TOP PATCH FITTING SUITABLE FOR POOL GATE PIVOTS	24



**ELITE GLASS
SOLUTIONS**

HEAD OFFICE
114 Endeavour Way
Sunshine West
VIC 3020 Australia

ADELAIDE OFFICE
7 Manfull Street
Melrose Park
SA 5039 Australia

1300 4 ELITE | 03 9314 6105
sales@eliteglassolutions.com.au
www.eliteglassolutions.com.au

FLOOR SPRINGS



SEALING COMPOUND

Item number	FS.RESIN
Description	<ul style="list-style-type: none"> • sealing compound • two component resin is poured around the body of the closer in the cement box to improve waterproofing <p>Download the “Material Safety Data” flyer from our website for further information</p>
Suitable for	<ul style="list-style-type: none"> • preventing the likelihood of water entering the cement box

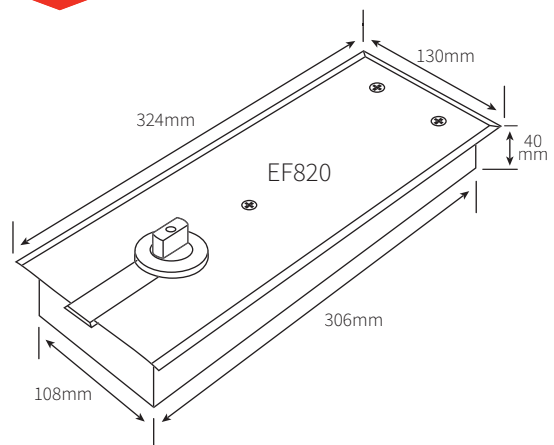
FS.RESIN



DOUBLE ACTION FLOOR SPRING

Item number	EF820
Description	<ul style="list-style-type: none"> • for further information see Section 4 - page 6 (EFS840)

EF820



ELITE GLASS SOLUTIONS

HEAD OFFICE
114 Endeavour Way
Sunshine West
VIC 3020 Australia

ADELAIDE OFFICE
7 Manfull Street
Melrose Park
SA 5039 Australia

1300 4 ELITE | 03 9314 6105
sales@eliteglassolutions.com.au
www.eliteglassolutions.com.au



SELF CLOSING
PATCH FITTING

OZONE HYDRAULIC PATCH FITTING
SELF CLOSING

Item number	EHP100.NHO - non-hold open
Description	<ul style="list-style-type: none"> • Ozone hydraulic patch fitting self closing non-hold open • applicable for door width of 750mm to 1 meter and weight up to 100kg • bottom patch fitting for internal doors • used in conjunction with a standard top patch fitting and floor stop • multiple adjustments and settings for closing and breaking speed • 5 year warranty
Suitable for	<ul style="list-style-type: none"> • single or double doors • residential and commercial internal use only • mounting to timber, steel or concrete • 8mm, 10mm and 12mm toughened safety glass
Material finish	• 316 polished or satin stainless steel



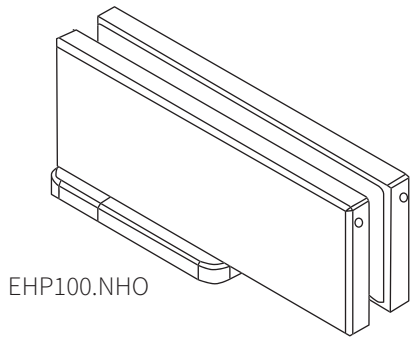
ELITE GLASS SOLUTIONS

HEAD OFFICE
114 Endeavour Way
Sunshine West
VIC 3020 Australia

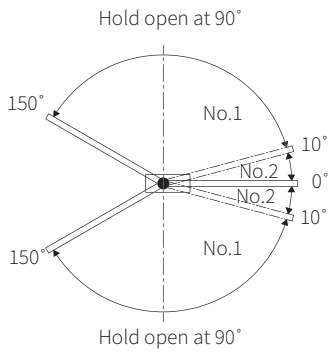
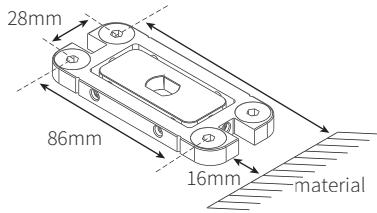
ADELAIDE OFFICE
7 Manfull Street
Melrose Park
SA 5039 Australia

1300 4 ELITE | 03 9314 6105
 sales@eliteglassolutions.com.au
 www.eliteglassolutions.com.au

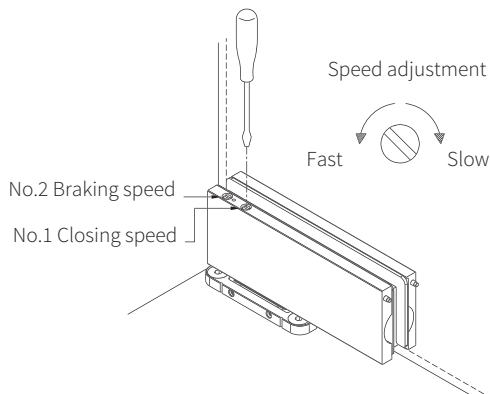
**EHP100.
NHO**



EHP100.NHO

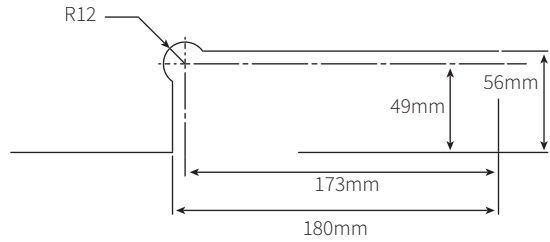


Maximum opening angle 150°
 Hold open at 90°
 Non-hold open, by request
 Two speed adjustment:
 Closing speed (150° down to 10°)
 Breaking speed (10° down to 0°)



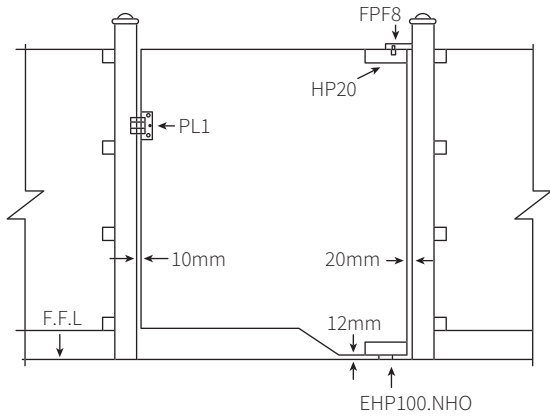
**EHP100.
NHO**

GLASS CUT OUT DETAIL

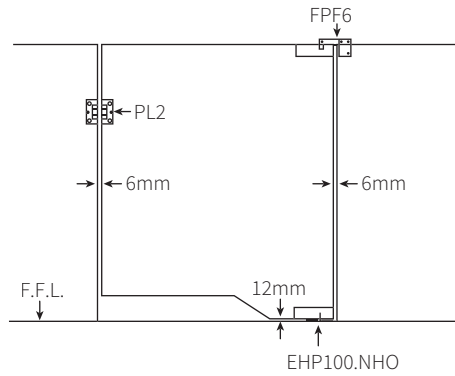


EHP100.NHO

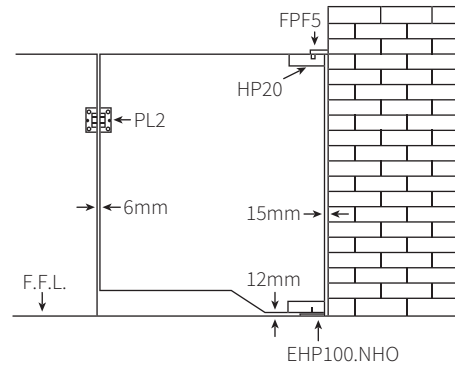
POST TO POST GATE



GLASS TO GLASS GATE



WALL TO GLASS GATE



**ELITE GLASS
SOLUTIONS**

HEAD OFFICE
 114 Endeavour Way
 Sunshine West
 VIC 3020 Australia

ADELAIDE OFFICE
 7 Manfull Street
 Melrose Park
 SA 5039 Australia

1300 4 ELITE | 03 9314 6105
 sales@eliteglassolutions.com.au
 www.eliteglassolutions.com.au



HINGES

SELF-CLOSING SAFETY HINGE
GLASS TO GLASS

Item number	PGG
Description	<ul style="list-style-type: none"> • self-closing safety hinge - glass to glass • single, soft close action • non-hold open • door up to 950mm x 1.25 meters • maximum door weight 50kg • suitable for weather -10° c and +50° c • hinge opening angle 90° • to be used with child resistant safety latch • complies with Australian standards for pool gate hardware AS2820 and AS1926 • National Association of Testing Authorities, Australia accredited and independently tested to 10,000 cycles or 10 years normal use • endorsed by Royal Life Saving Society, Australia
Suitable for	<ul style="list-style-type: none"> • glass pool fencing • 10mm and 12mm glass thickness
Material finish	<ul style="list-style-type: none"> • 316 grade mirror, polished or satin stainless steel



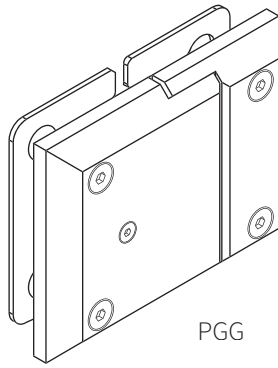
**ELITE GLASS
SOLUTIONS**

HEAD OFFICE
114 Endeavour Way
Sunshine West
VIC 3020 Australia

ADELAIDE OFFICE
7 Manfull Street
Melrose Park
SA 5039 Australia

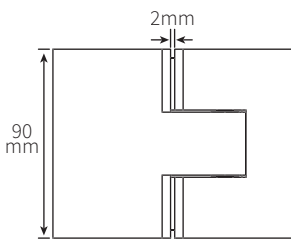
1300 4 ELITE | 03 9314 6105
 sales@eliteglassolutions.com.au
 www.eliteglassolutions.com.au

PGG

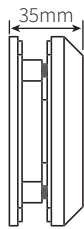


PGG

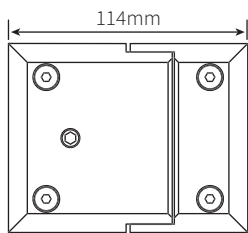
FRONT VIEW



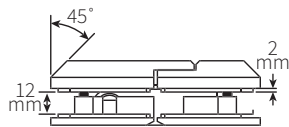
SIDE VIEW



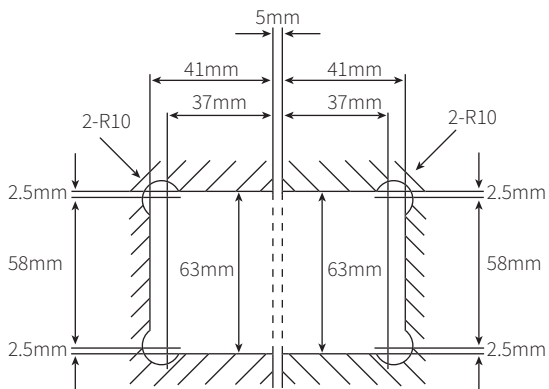
REAR VIEW



BASE VIEW



GLASS CUT OUT DETAIL



ELITE GLASS SOLUTIONS

HEAD OFFICE
114 Endeavour Way
Sunshine West
VIC 3020 Australia

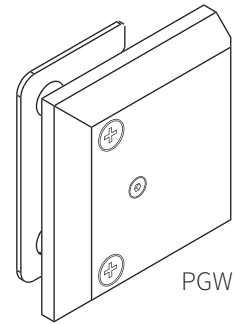
ADELAIDE OFFICE
7 Manfull Street
Melrose Park
SA 5039 Australia

1300 4 ELITE | 03 9314 6105
sales@eliteglassolutions.com.au
www.eliteglassolutions.com.au

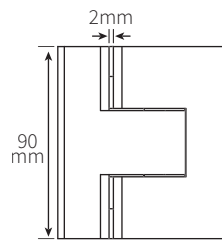
SELF-CLOSING SAFETY HINGE
GLASS TO WALL

PGW

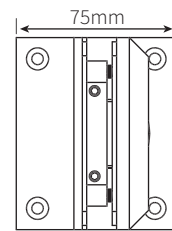
Item number	PGW
Description	<ul style="list-style-type: none"> • self-closing safety hinge - glass to wall • single, soft close action • non-hold open • door up to 950mm x 1.25 meters • maximum door weight 50kg • suitable for weather -10° c and +50° c • hinge opening angle 90° • to be used with child resistant safety latch • complies with Australian standards for pool gate hardware AS2820 and AS1926 • National Association of Testing Authorities, Australia accredited and independently tested to 10,000 cycles or 10 years normal use • endorsed by Royal Life Saving Society, Australia
Suitable for	<ul style="list-style-type: none"> • glass pool fencing • 10mm and 12mm glass thickness
Material finish	<ul style="list-style-type: none"> • 316 grade mirror, polished or satin stainless steel



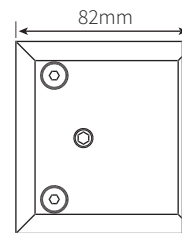
FRONT VIEW



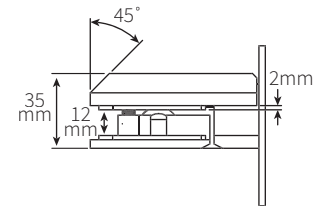
SIDE VIEW



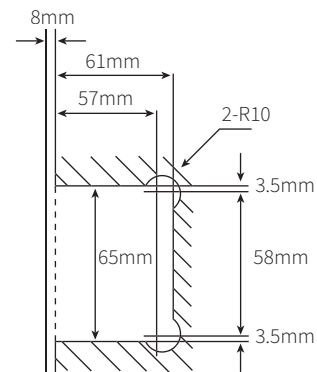
REAR VIEW



BASE VIEW



GLASS CUT OUT DETAIL



GLASS CUT OUT TOP AND BOTTOM



ELITE GLASS SOLUTIONS

HEAD OFFICE
114 Endeavour Way
Sunshine West
VIC 3020 Australia

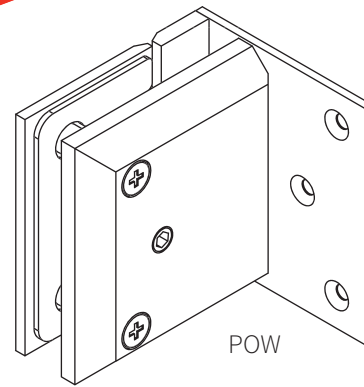
ADELAIDE OFFICE
7 Manfull Street
Melrose Park
SA 5039 Australia

1300 4 ELITE | 03 9314 6105
sales@eliteglassolutions.com.au
www.eliteglassolutions.com.au

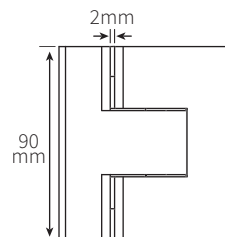
SELF-CLOSING SAFETY HINGE
GLASS TO OFFSET WALL PLATE

Item number	POW
Description	<ul style="list-style-type: none"> • self-closing safety hinge - glass to offset wall plate • single, hydraulic soft close • non-hold open • door up to 950mm x 1.25 meters • maximum door weight 50kg • suitable for weather -10 °c and +50 °c • hinge opening angle 90 ° • auto close from any angle • cycle tested
Suitable for	<ul style="list-style-type: none"> • glass pool fencing • 10mm and 12mm glass thickness
Material finish	• 316 grade mirror, polished or satin stainless steel

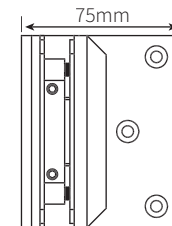
POW



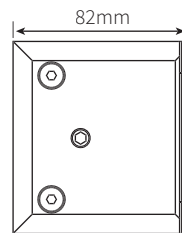
FRONT VIEW



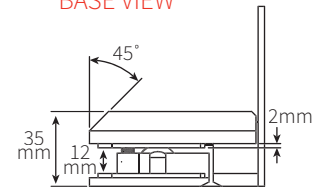
SIDE VIEW



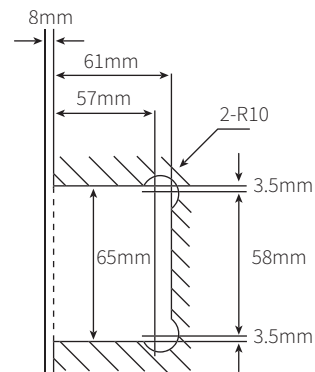
REAR VIEW



BASE VIEW



GLASS CUT OUT DETAIL



GLASS CUT OUT TOP AND BOTTOM



ELITE GLASS SOLUTIONS

HEAD OFFICE
114 Endeavour Way
Sunshine West
VIC 3020 Australia

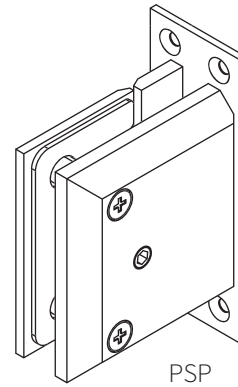
ADELAIDE OFFICE
7 Manfull Street
Melrose Park
SA 5039 Australia

1300 4 ELITE | 03 9314 6105
sales@eliteglassolutions.com.au
www.eliteglassolutions.com.au

SELF-CLOSING SAFETY HINGE
GLASS TO SQUARE POST

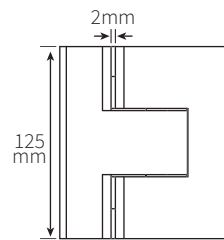
Item number	PSP
Description	<ul style="list-style-type: none"> • self-closing safety hinge - glass to square post • single, soft close action • non-hold open • door up to 950mm x 1.25 meters • maximum door weight 50kg • suitable for weather -10° c and +50° c • hinge opening angle 90° • to be used with child resistant safety latch • complies with Australian standards for pool gate hardware AS2820 and AS1926 • National Association of Testing Authorities, Australia accredited and independently tested to 10,000 cycles or 10 years normal use • endorsed by Royal Life Saving Society, Australia
Suitable for	<ul style="list-style-type: none"> • glass pool fencing • 10mm and 12mm glass thickness
Material finish	<ul style="list-style-type: none"> • 316 grade mirror, polished or satin stainless steel

PSP

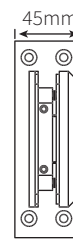


PSP

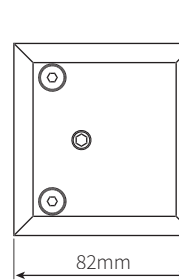
FRONT VIEW



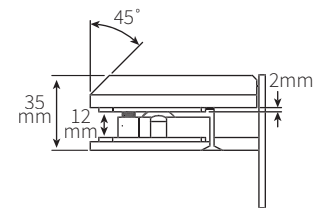
SIDE VIEW



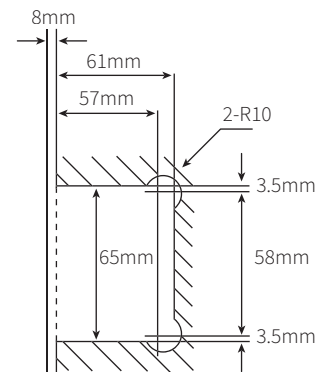
REAR VIEW



BASE VIEW



GLASS CUT OUT DETAIL



GLASS CUT OUT TOP AND BOTTOM



ELITE GLASS SOLUTIONS

HEAD OFFICE
114 Endeavour Way
Sunshine West
VIC 3020 Australia

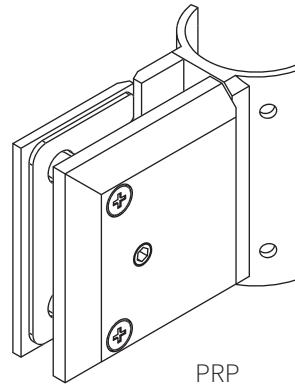
ADELAIDE OFFICE
7 Manfull Street
Melrose Park
SA 5039 Australia

1300 4 ELITE | 03 9314 6105
sales@eliteglassolutions.com.au
www.eliteglassolutions.com.au

SELF-CLOSING SAFETY HINGE
GLASS TO ROUND POST

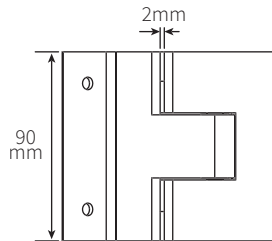
Item number	PRP
Description	<ul style="list-style-type: none"> • self-closing safety hinge - glass to round post • single, soft close action • non-hold open • door up to 950mm x 1.25 meters • maximum door weight 50kg • suitable for weather -10 °c and +50 °c • hinge opening angle 90 ° • to be used with child resistant safety latch • complies with Australian standards for pool gate hardware AS2820 and AS1926 • National Association of Testing Authorities, Australia accredited and independently tested to 10,000 cycles or 10 years normal use • endorsed by Royal Life Saving Society, Australia
Suitable for	<ul style="list-style-type: none"> • glass pool fencing • 10mm and 12mm glass thickness
Material finish	• 316 grade mirror, polished or satin stainless steel

PRP

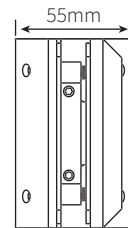


PRP

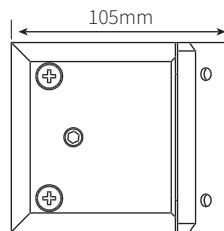
FRONT VIEW



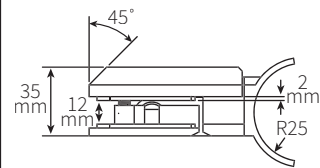
SIDE VIEW



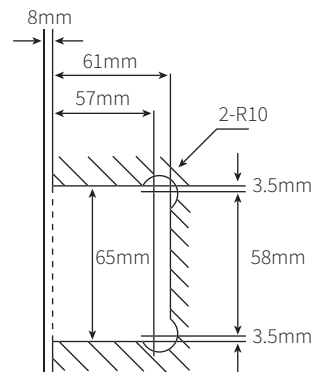
REAR VIEW



BASE VIEW



GLASS CUT OUT DETAIL



GLASS CUT OUT TOP AND BOTTOM



ELITE GLASS SOLUTIONS

HEAD OFFICE
114 Endeavour Way
Sunshine West
VIC 3020 Australia

ADELAIDE OFFICE
7 Manfull Street
Melrose Park
SA 5039 Australia

1300 4 ELITE | 03 9314 6105
sales@eliteglassolutions.com.au
www.eliteglassolutions.com.au

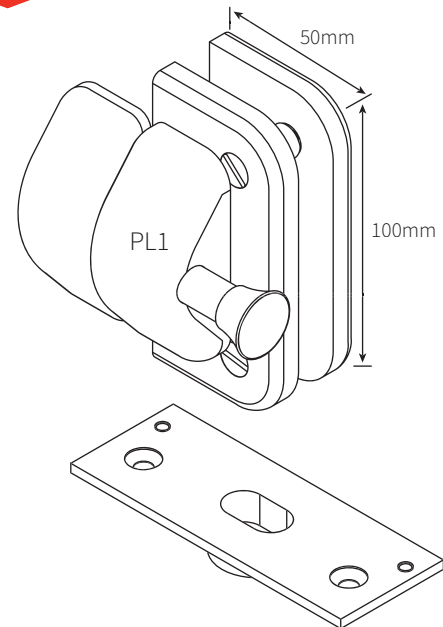
POOL
GATE LATCHES



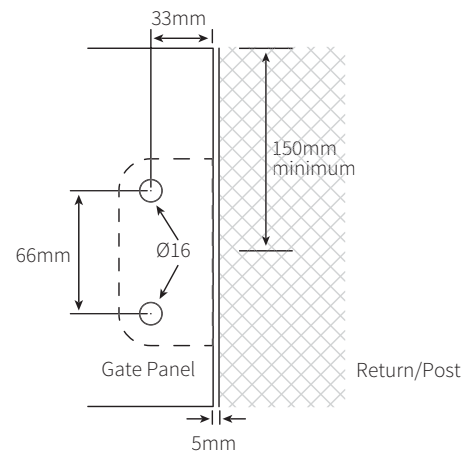
POOL GATE LATCH AND STRIKE
GLASS TO POST

Item number	PL1
Description	<ul style="list-style-type: none"> • pool gate latch and strike - glass to post • designed for a frameless glass pool gate that closes to a post or wall • self latching using “Magna” latch • minimum door height 1.2 meters
Suitable for	<ul style="list-style-type: none"> • 10mm and 12mm glass thickness, can be adapted for other sizes
Material finish	<ul style="list-style-type: none"> • 316 grade polished or satin stainless steel

PL1



GLASS CUT OUT DETAIL



ELITE GLASS SOLUTIONS

HEAD OFFICE
114 Endeavour Way
Sunshine West
VIC 3020 Australia

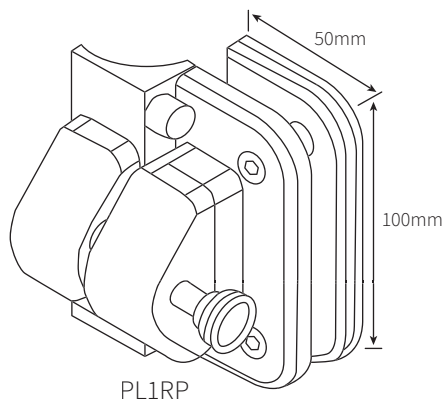
ADELAIDE OFFICE
7 Manfull Street
Melrose Park
SA 5039 Australia

1300 4 ELITE | 03 9314 6105
sales@eliteglassolutions.com.au
www.eliteglassolutions.com.au

POOL GATE LATCH AND STRIKE
GLASS TO ROUND POST

Item number	PL1RP
Description	<ul style="list-style-type: none"> • pool gate latch strike - glass to round post • designed for a frameless glass pool gate • 50mm diameter post mount • self latching using “Magna” latch • minimum door height 1.2 meters
Suitable for	• 10mm and 12mm glass thickness, can be adapted for other sizes
Material finish	• 316 grade polished or satin stainless steel

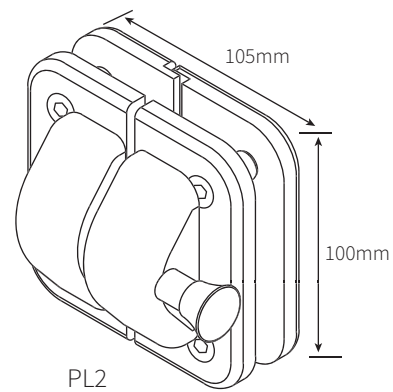
PL1RP



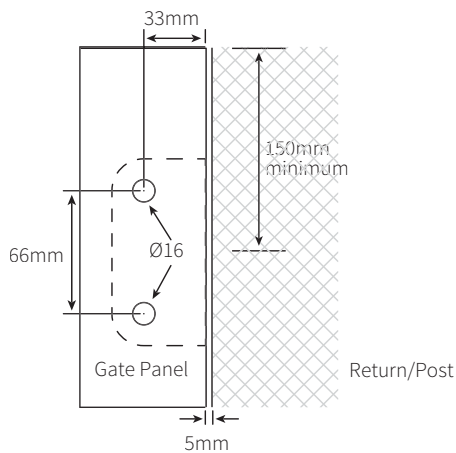
POOL GATE LATCH AND KEEPER
GLASS TO GLASS

Item number	PL2
Description	<ul style="list-style-type: none"> • pool gate latch and keeper - glass to glass • designed for a frameless glass pool gate and side panel • self latching using “Magna” latch • minimum door height 1.2 meters
Suitable for	• 10mm and 12mm glass thickness, can be adapted for other sizes
Material finish	• 316 grade polished or satin stainless steel

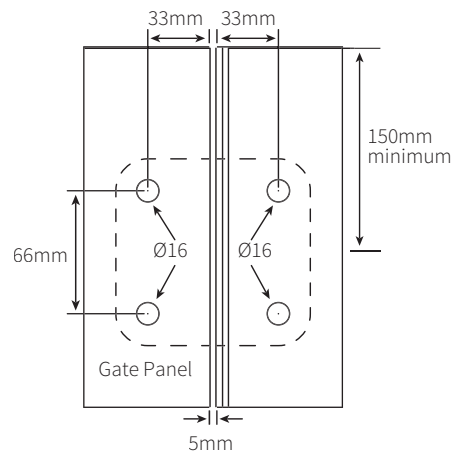
PL2



GLASS CUT OUT DETAIL



GLASS CUT OUT DETAIL



ELITE GLASS SOLUTIONS

HEAD OFFICE
114 Endeavour Way
Sunshine West
VIC 3020 Australia

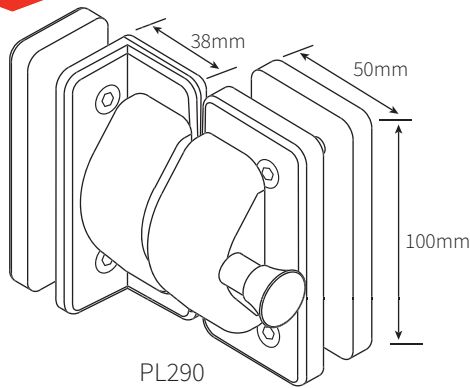
ADELAIDE OFFICE
7 Manfull Street
Melrose Park
SA 5039 Australia

1300 4 ELITE | 03 9314 6105
sales@eliteglassolutions.com.au
www.eliteglassolutions.com.au

POOL GATE LATCH AND KEEPER
GLASS TO GLASS 90°

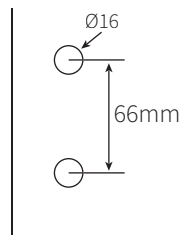
Item number	PL290
Description	<ul style="list-style-type: none"> pool gate latch and keeper - glass to glass 90° designed for a frameless glass pool gate that closes to a side panel at 90° self latching using "Magna" latch minimum door height 1.2 meters
Suitable for	<ul style="list-style-type: none"> 10mm and 12mm glass thickness, can be adapted for other sizes
Material finish	<ul style="list-style-type: none"> 316 grade polished or satin stainless steel

PL290

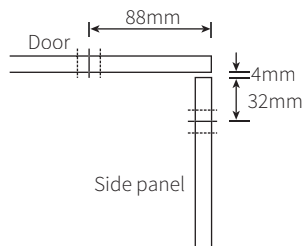


GLASS CUT OUT DETAIL

SIDE VIEW



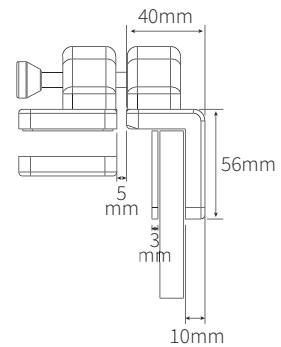
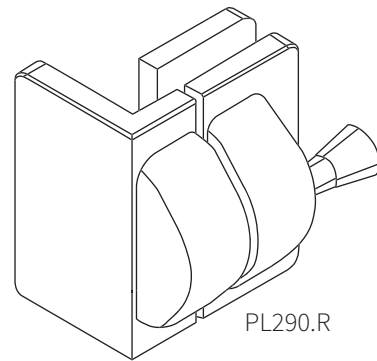
TOP VIEW



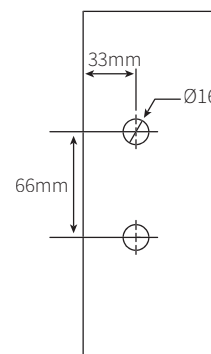
POOL GATE LATCH AND KEEPER
GLASS TO GLASS 90°

Item number	PL290.R
Description	<ul style="list-style-type: none"> pool gate latch and keeper - glass to glass 90° designed for a frameless glass pool gate that closes to a side panel at 90° self latching using "Magna" latch minimum door height 1.2 meters
Suitable for	<ul style="list-style-type: none"> 10mm and 12mm glass thickness, can be adapted for other sizes
Material finish	<ul style="list-style-type: none"> 316 grade polished or satin stainless steel

PL290.R



GLASS CUT OUT DETAIL



ELITE GLASS SOLUTIONS

HEAD OFFICE
114 Endeavour Way
Sunshine West
VIC 3020 Australia

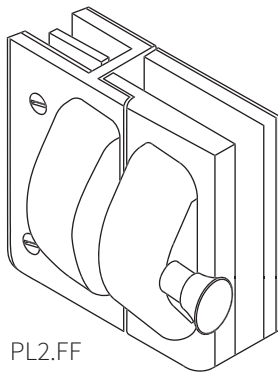
ADELAIDE OFFICE
7 Manfull Street
Melrose Park
SA 5039 Australia

1300 4 ELITE | 03 9314 6105
sales@eliteglassolutions.com.au
www.eliteglassolutions.com.au

POOL GATE LATCH
GLASS TO GLASS FRICTION FIT 180°

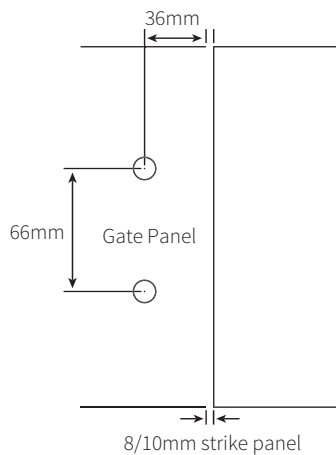
Item number	PL2.FF
Description	<ul style="list-style-type: none"> pool gate latch - glass to glass friction fit 180° no holes required for a strike/latch panel and can be installed with any fixed (blank) panel to latch to
Suitable for	<ul style="list-style-type: none"> 12mm glass thickness
Material finish	<ul style="list-style-type: none"> 316 grade polished or satin stainless steel

PL2.FF



PL2.FF

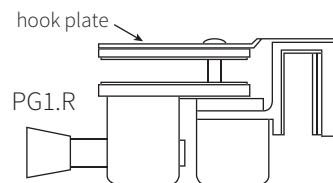
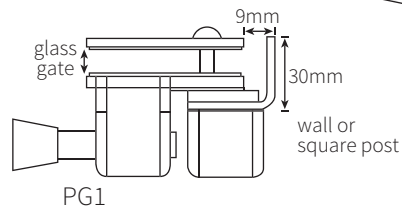
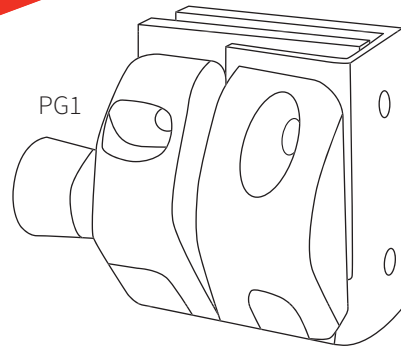
GLASS CUT OUT DETAIL



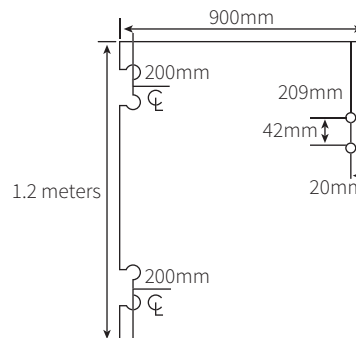
POOL GATE LATCH KIT
GLASS TO WALL SQUARE POST

Item number	<ul style="list-style-type: none"> PG1 PG1.R - hook plate - external fit
Description	<ul style="list-style-type: none"> pool gate latch kit - glass to wall square post application stainless steel backing plates plus D&D side pull polymer latch
Suitable for	<ul style="list-style-type: none"> 8mm, 10mm and 12mm glass gates
Material finish	<ul style="list-style-type: none"> 316 grade polished or satin stainless steel

PG1



GLASS CUT OUT DETAIL



ELITE GLASS SOLUTIONS

HEAD OFFICE
114 Endeavour Way
Sunshine West
VIC 3020 Australia

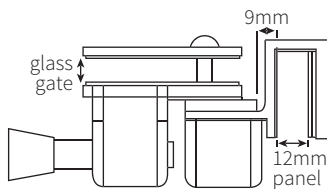
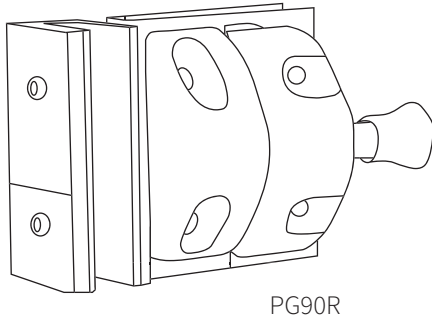
ADELAIDE OFFICE
7 Manfull Street
Melrose Park
SA 5039 Australia

1300 4 ELITE | 03 9314 6105
sales@eliteglassolutions.com.au
www.eliteglassolutions.com.au

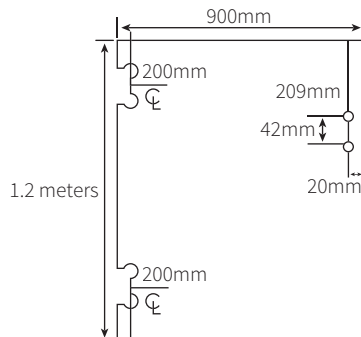
POOL GATE LATCH KIT
GLASS TO GLASS 90° EXTERNAL

Item number	PG90R
Description	<ul style="list-style-type: none"> pool gate latch kit - glass to glass 90° - external corner fit stainless steel backing plates plus D&D side pull polymer latch latch panel must be 12mm thick - no latch holes required
Suitable for	8mm, 10mm and 12mm glass gates
Material finish	316 grade polished or satin stainless steel

PG90R



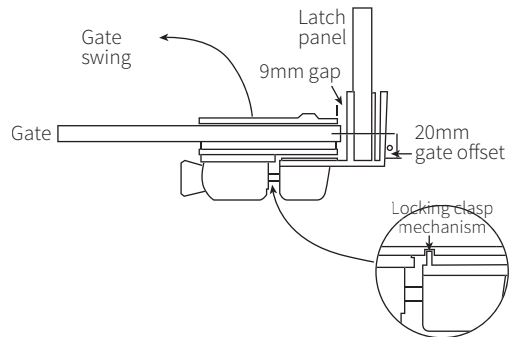
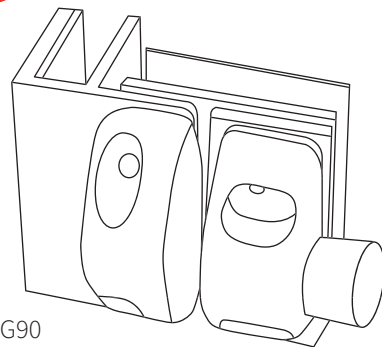
GLASS CUT OUT DETAIL



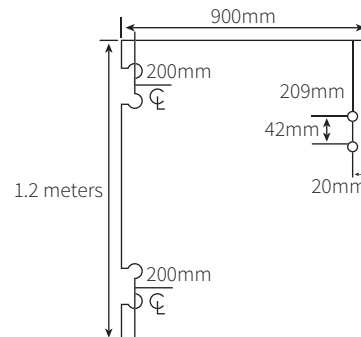
POOL GATE LATCH KIT
GLASS TO GLASS 90° INTERNAL

Item number	PG90
Description	<ul style="list-style-type: none"> pool gate latch kit - glass to glass 90° - internal corner fit stainless steel backing plates plus D&D side pull polymer latch latch panel must be 12mm thick - no latch holes required
Suitable for	8mm, 10mm and 12mm glass gates internal 90° configuration
Material finish	316 grade polished or satin stainless steel

PG90



GLASS CUT OUT DETAIL



ELITE GLASS SOLUTIONS

HEAD OFFICE
114 Endeavour Way
Sunshine West
VIC 3020 Australia

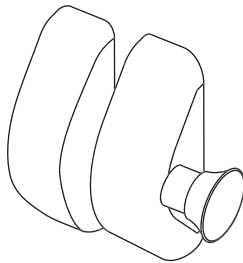
ADELAIDE OFFICE
7 Manfull Street
Melrose Park
SA 5039 Australia

1300 4 ELITE | 03 9314 6105
sales@eliteglassolutions.com.au
www.eliteglassolutions.com.au

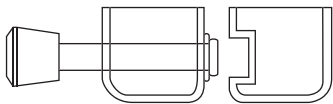
POOL GATE LATCH ONLY
FACE MOUNT

Item number	<ul style="list-style-type: none"> • MLSPS2 - non-locking • MLSPS2.L - locking
Description	<ul style="list-style-type: none"> • pool gate latch only - face mount • black polymer nylon D&D latch
Suitable for	• 10mm and 12mm glass gates
Material finish	• 316 grade polished or satin stainless steel

MLSPS2



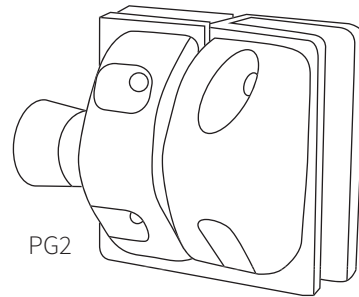
MLSPS2



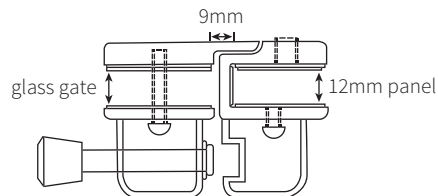
POOL GATE LATCH KIT
GLASS TO GLASS

Item number	PG2
Description	<ul style="list-style-type: none"> • pool gate latch kit - glass to glass • friction latch for glass to glass 180° application • stainless steel backing plates plus D&D side pull polymer latch • latch panel must be 12mm thick - no latch holes required
Suitable for	• 8mm, 10mm and 12mm glass gates
Material finish	• 316 grade polished or satin stainless steel backing plates

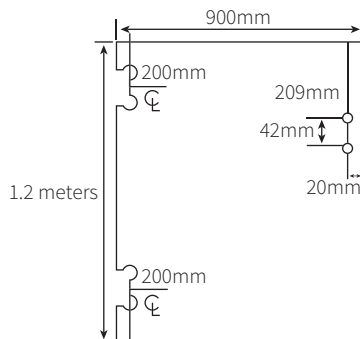
PG2



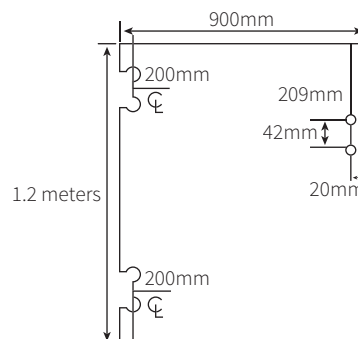
PG2



GLASS CUT OUT DETAIL



GLASS CUT OUT DETAIL



ELITE GLASS SOLUTIONS

HEAD OFFICE
114 Endeavour Way
Sunshine West
VIC 3020 Australia

ADELAIDE OFFICE
7 Manfull Street
Melrose Park
SA 5039 Australia

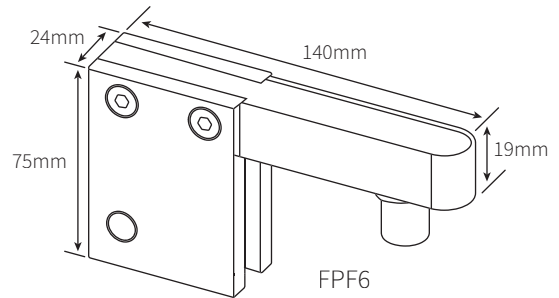
1300 4 ELITE | 03 9314 6105
sales@eliteglassolutions.com.au
www.eliteglassolutions.com.au



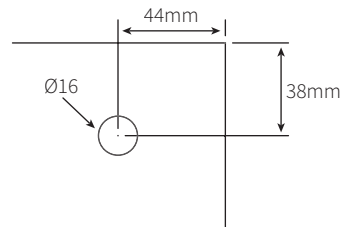
PIVOT ARM TOP
GLASS TO GLASS

Item number	FPF6
Description	<ul style="list-style-type: none"> • pivot arm top - glass to glass • use in conjunction with elite glass standard patch fittings and floor springs
Suitable for	<ul style="list-style-type: none"> • mounting a glass gate to a glass balustrade
Material finish	<ul style="list-style-type: none"> • 316 grade polished or satin stainless steel

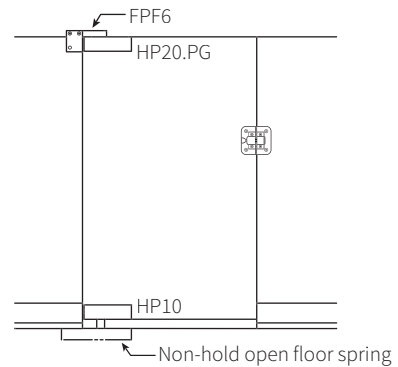
FPF6



GLASS CUT OUT DETAIL



INSITU APPLICATION



ELITE GLASS SOLUTIONS

HEAD OFFICE
114 Endeavour Way
Sunshine West
VIC 3020 Australia

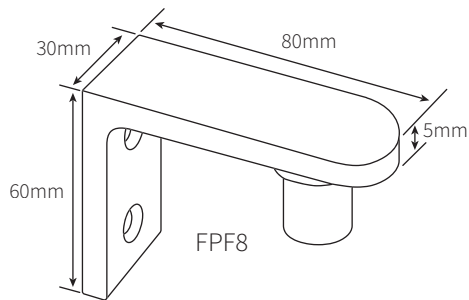
ADELAIDE OFFICE
7 Manfull Street
Melrose Park
SA 5039 Australia

1300 4 ELITE | 03 9314 6105
sales@eliteglassolutions.com.au
www.eliteglassolutions.com.au

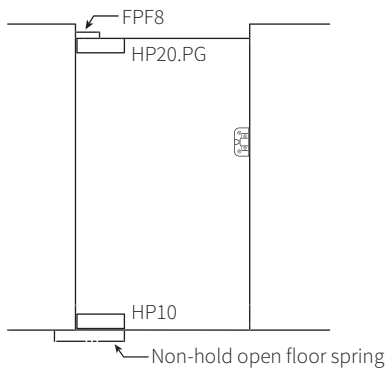
PIVOT ARM TOP
GLASS TO SOLID WALL

Item number	FPF8
Description	<ul style="list-style-type: none"> • pivot arm top - glass to solid wall • use in conjunction with elite glass standard patch fittings and floor springs
Suitable for	<ul style="list-style-type: none"> • mounting a glass gate to a solid wall
Material finish	<ul style="list-style-type: none"> • 316 grade polished or satin stainless steel

FPF8



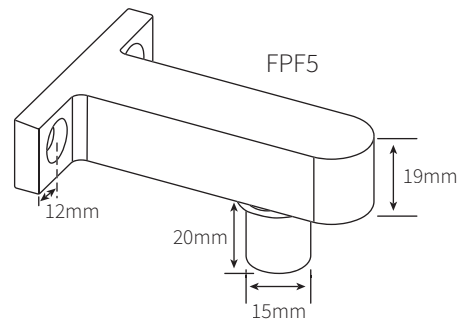
INSITU APPLICATION



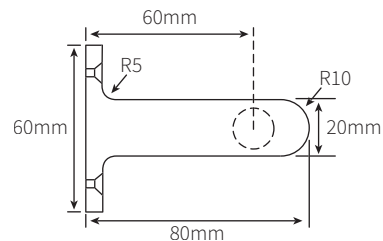
PIVOT ARM TOP
GLASS TO WALL

Item number	FPF5
Description	<ul style="list-style-type: none"> • pivot arm top - glass to wall • use in conjunction with SBC42400 top patch to allow the gate to pivot from a wall or post
Suitable for	<ul style="list-style-type: none"> • walls posts 60mm and wider
Material finish	<ul style="list-style-type: none"> • 316 grade polished or satin stainless steel

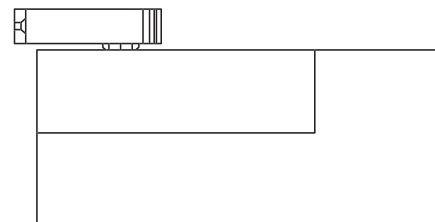
FPF5



GLASS CUT OUT DETAIL



INSITU APPLICATION



ELITE GLASS SOLUTIONS

HEAD OFFICE
114 Endeavour Way
Sunshine West
VIC 3020 Australia

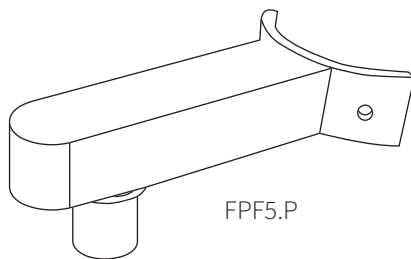
ADELAIDE OFFICE
7 Manfull Street
Melrose Park
SA 5039 Australia

1300 4 ELITE | 03 9314 6105
sales@eliteglassolutions.com.au
www.eliteglassolutions.com.au

PIVOT TOP ARM
GLASS TO ROUND POST

Item number	FPF5.P
Description	<ul style="list-style-type: none"> • pivot top arm - glass to wall • use in conjunction with SBC42400 top patch to allow the gate to pivot from 50mm diameter post
Suitable for	• 50mm diameter posts
Material finish	• 316 grade polished or satin stainless steel

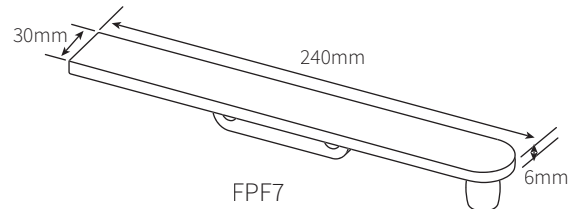
FPF5.P



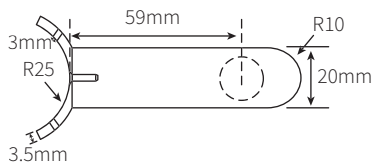
PIVOT TOP BRACKET

Item number	FPF7
Description	<ul style="list-style-type: none"> • pivot top - bracket • use in conjunction with HP20/HP10 top patch fittings that allow them to work as a top pivot set
Suitable for	• mounting a glass gate to a glass balustrade
Material finish	• 316 grade polished or satin stainless steel

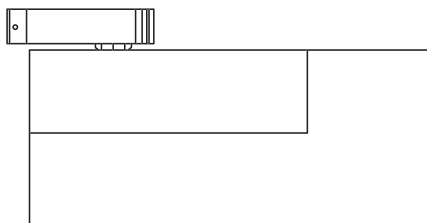
FPF7



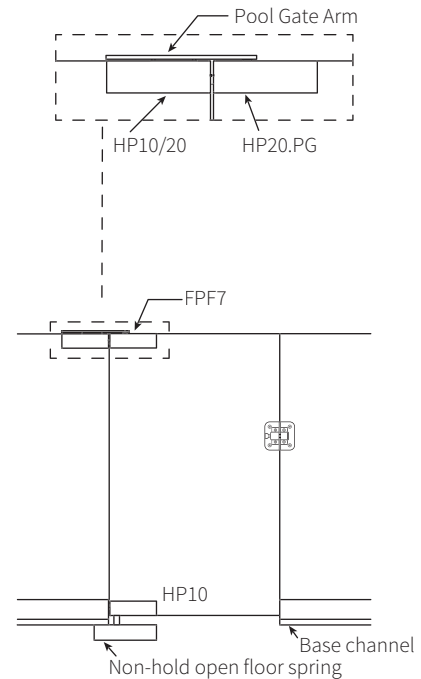
GLASS CUT OUT DETAIL



INSITU APPLICATION



INSITU APPLICATION



ELITE GLASS SOLUTIONS

HEAD OFFICE
114 Endeavour Way
Sunshine West
VIC 3020 Australia

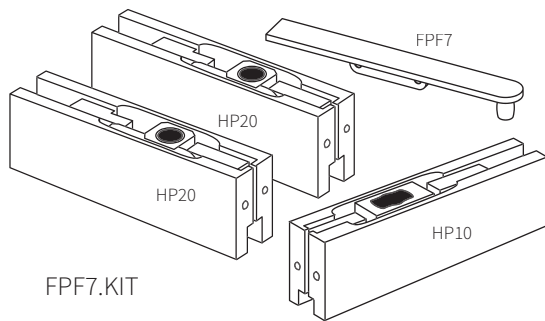
ADELAIDE OFFICE
7 Manfull Street
Melrose Park
SA 5039 Australia

1300 4 ELITE | 03 9314 6105
sales@eliteglassolutions.com.au
www.eliteglassolutions.com.au

**PIVOT TOP
SET KIT**

Item number	FPF7.KIT
Description	<ul style="list-style-type: none"> • pivot top set • kit includes: <ul style="list-style-type: none"> – two HP20, – one HP10, and – one FPFT
Suitable for	<ul style="list-style-type: none"> • complete glass to glass setup application
Material finish	<ul style="list-style-type: none"> • 316 grade polished or satin stainless steel

FPF7.KIT



**ELITE GLASS
SOLUTIONS**

HEAD OFFICE
114 Endeavour Way
Sunshine West
VIC 3020 Australia

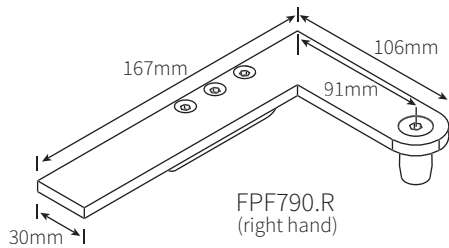
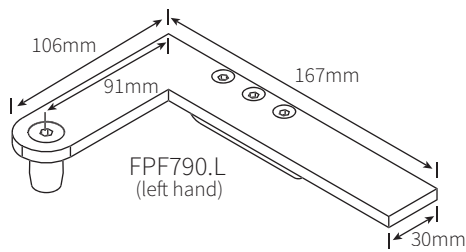
ADELAIDE OFFICE
7 Manfull Street
Melrose Park
SA 5039 Australia

☎ 1300 4 ELITE | 03 9314 6105
✉ sales@eliteglassolutions.com.au
🌐 www.eliteglassolutions.com.au

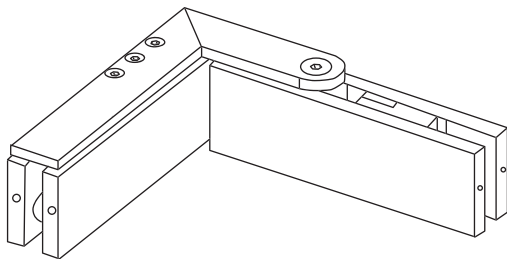
EUROPOOL PIVOT ARM TOP 90°

Item number	<ul style="list-style-type: none"> • FPF790.L - left hand • FPF790.R - right hand
Description	<ul style="list-style-type: none"> • Europool pivot arm top 90° • use in conjunction with HP20/HP10 top patch fittings that allows them to work as a top pivot set
Suitable for	<ul style="list-style-type: none"> • mounting a glass gate to a glass balustrade • frameless glass mounting
Material finish	<ul style="list-style-type: none"> • 316 grade polished or satin stainless steel

FPF790

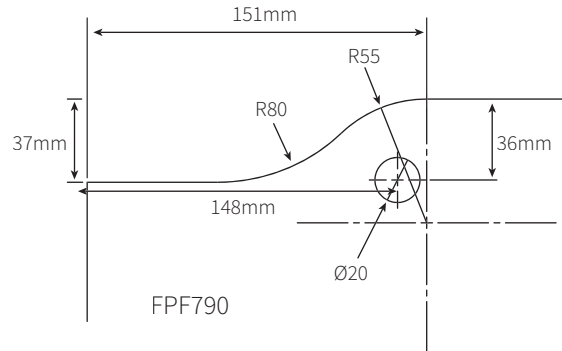


ASSEMBLY (RIGHT HAND SIDE)

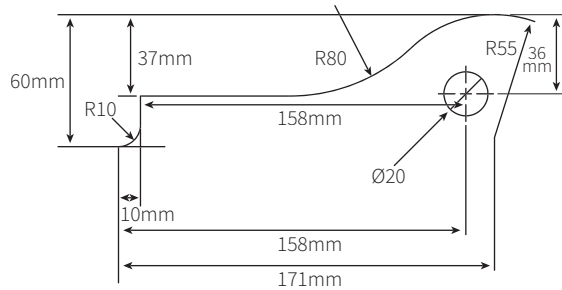


FPF790

GLASS DETAIL - RETURN PANEL



GLASS DETAIL - DOOR



ELITE GLASS SOLUTIONS

HEAD OFFICE
114 Endeavour Way
Sunshine West
VIC 3020 Australia

ADELAIDE OFFICE
7 Manfull Street
Melrose Park
SA 5039 Australia

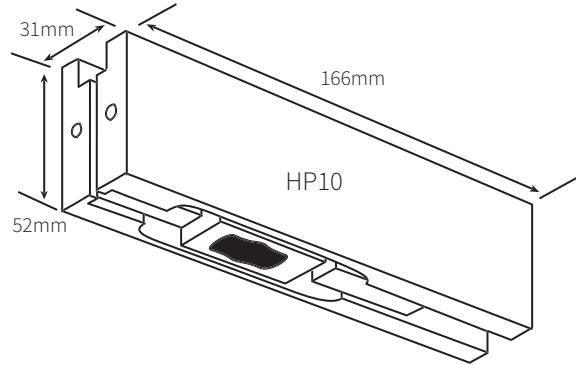
1300 4 ELITE | 03 9314 6105
sales@eliteglassolutions.com.au
www.eliteglassolutions.com.au

PATCHES

BOTTOM PATCH FITTING
FOR 10/12MM GLASS THICKNESS

Item number	HP10 - for further details see Section 4 page 20
-------------	--

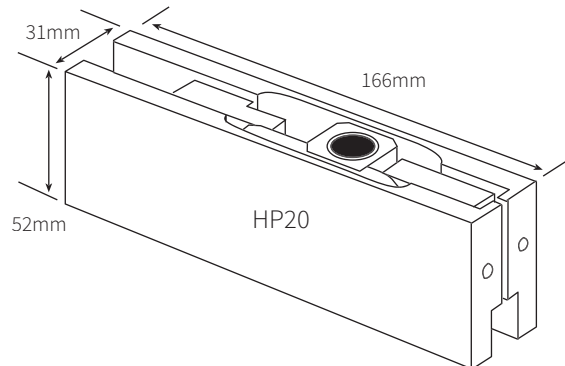
HP10



TOP PIVOT PATCH FITTING
FOR 10/12MM GLASS THICKNESS

Item number	HP20 - for further details see Section 4 page 24 (HP22)
-------------	---

HP20



ELITE GLASS SOLUTIONS

HEAD OFFICE
114 Endeavour Way
Sunshine West
VIC 3020 Australia

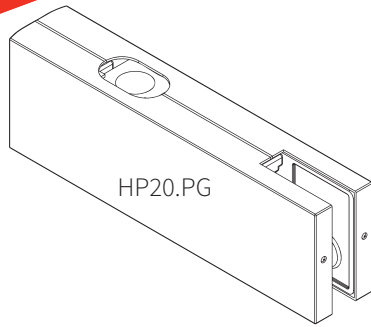
ADELAIDE OFFICE
7 Manfull Street
Melrose Park
SA 5039 Australia

1300 4 ELITE | 03 9314 6105
sales@eliteglassolutions.com.au
www.eliteglassolutions.com.au

TOP PATCH FITTING SUITABLE FOR POOL GATE PIVOTS

Item number	HP20.PG
Description	<ul style="list-style-type: none"> • top patch fitting suitable for pool gate pivots • adjustable pivot insert • features concealing cover plates
Suitable for	<ul style="list-style-type: none"> • Eliteglass pool gate fittings - FPF5/FPF6/FPF7 and Δ/FPF8
Material finish	<ul style="list-style-type: none"> • polished or satin stainless steel

HP20.PG



**ELITE GLASS
SOLUTIONS**

HEAD OFFICE
114 Endeavour Way
Sunshine West
VIC 3020 Australia

ADELAIDE OFFICE
7 Manfull Street
Melrose Park
SA 5039 Australia

1300 4 ELITE | 03 9314 6105
 sales@eliteglassolutions.com.au
 www.eliteglassolutions.com.au