

# SHOWER HARDWARE

SHOWER HINGES 10MM GLASS THICKNESS .....	6
SHOWER HINGES 6MM GLASS THICKNESS.....	12
SHOWER HINGES 10/12MM GLASS THICKNESS .....	16
SHOWER KITS.....	20
SHOWER BRACKETS .....	30
SHOWER GLASS SHELF BRACKETS..	37
SHOWER DOOR STOPS .....	40
SHOWER FIXED BRACKETS.....	42
SHOWER PULL KNOBS.....	46
SHOWER PULL HANDLES.....	54
BRACING BARS.....	59
DOOR SEALS, WATER SEALS AND CHANNELS .....	68
ACCESSORIES.....	77
GLASS SHELVES .....	80



CONTENTS		
<b>INSTALLATION</b>		<b>5</b>
<b>SHOWER HINGES 10MM GLASS THICKNESS</b>		<b>6-11</b>
ES1 BES1	SHOWER HINGE WALL MOUNT	6
ES1L3 BES1L3	SHOWER HINGE WALL MOUNT WITH OFFSET THREE HOLE FIXING PLATE	7
ES1LCBP BES1LCBP	SHOWER HINGE WALL MOUNT WITH OFFSET EXTENDED FIXING PLATE	7
ES1.SB BES1.SB	SHOWER HINGE WALL MOUNT WITH SHORT FIXING PLATE	8
ES1.90 BES1.90	SHOWER HINGE WALL MOUNT 135° CORNER WITH 90° FIXING PLATE	8
ES2 BES2	SHOWER HINGE GLASS TO GLASS	9
ES2.135 BES2.135	SHOWER HINGE 135° GLASS TO GLASS	9
ES2.90 BES2.90	SHOWER HINGE 90° GLASS TO GLASS	10
ES2.BF BES2.BF	SHOWER HINGE BIFOLD GLASS TO GLASS	10
ES1.LB2B BES1.LB2B	SHOWER HINGE 90° L SHAPE GLASS TO GLASS	11
LH101.90L LH101.90R	SHOWER LIFT OFF HINGE WALL TO GLASS	11
<b>SHOWER HINGES 6MM GLASS THICKNESS</b>		<b>12-15</b>
CMES1	SHOWER HINGE WALL MOUNT	12
CMES1.L	SHOWER HINGE WALL MOUNT SINGLE SIDE	13
CMES1.RP	SHOWER HINGE GLASS TO ROUND POST	13
CMES2	SHOWER HINGE 180° GLASS TO GLASS	14
CMES2.135	SHOWER HINGE 135° GLASS TO GLASS	14
CMES2.BF	SHOWER HINGE BIFOLD GLASS TO GLASS	15
FF9306 FF9310 FF930.K	RIVIERA BOAT LATCH	15
<b>SHOWER HINGES 10/12MM GLASS THICKNESS</b>		<b>16-18</b>
HD.ES1	SHOWER HINGE WALL MOUNT	16
HD.ES1L3	SHOWER HINGE WALL MOUNT SINGLE SIDE	17
HD.ES2	SHOWER HINGE 180° GLASS TO GLASS	17
HD.ES2.135	SHOWER HINGE 135° GLASS TO GLASS	18
HD.ES2.90	SHOWER HINGE 90° GLASS TO GLASS	18

CONTENTS		
<b>SHOWER KITS</b>		<b>20-29</b>
SS21	EUROGLIDE ROLLERS	20
F004 F005 F006 F007 F008 F009 F010	ELITE SLIDER SLIDING SYSTEM COMPONENTS	21
F001	ELITE SLIDER INLINE	22
F002	ELITE SLIDER SQUARE	23
F003	ELITE SLIDER TRIO	24
SS30	SLIDING SHOWER KIT	25
SS30 (KIT A)	SLIDING SHOWER KIT A	26
SS30 (KIT B)	SLIDING SHOWER KIT B	27
RG40	TENZA ULTRA SPAN SLIDING DOOR SYSTEM	28
<b>SHOWER BRACKETS</b>		<b>30-36</b>
SB50 SB50.SQ SB50.B	SHOWER BRACKET GLASS TO WALL FIXED	30
SB50.CAB SB50.CAB.SQ SB50.CAB.B	SHOWER BRACKET ADJUSTABLE WALL FIX	31
SB50.SQ.NH	SHOWER BRACKET WITH HORIZONTAL LEG	31
SBD50 SBD50.SQ SBD50.B	SHOWER BRACKET GLASS TO GLASS FIXED DOUBLE SIDED	32
SB50.C1 SB50.C1.SQ SB50.C1.B	SHOWER BRACKET GLASS TO WALL FIXED CUSTOM 1	32
SB50.C2 SB50.C2.SQ SB50.C2.B	SHOWER BRACKET GLASS TO WALL FIXED CUSTOM 2	33
SBD50.C3 SBD50.C3.SQ SBD50.C3.B	SHOWER BRACKET GLASS TO WALL FIXED CUSTOM 3	33
SB135 SB135.SQ SB135.B	SHOWER BRACKET 135° GLASS TO WALL FIXED	34
SBD135 SBD135.SQ SBD135.B	SHOWER BRACKET 135° GLASS TO GLASS FIXED	34
SB180 SB180.SQ SB180.B	SHOWER BRACKET 180° GLASS TO WALL FLAT FIXED	35
SBD180 SBD180.SQ SBD180.B	SHOWER BRACKET 135° GLASS TO GLASS DOUBLE SIDED FLAT FIXED	35
SBT180 SBT180.SQ	SHOWER BRACKET 180°/90° GLASS TO GLASS	36



**ELITE GLASS SOLUTIONS**

**HEAD OFFICE**  
114 Endeavour Way  
Sunshine West  
VIC 3020 Australia

**ADELAIDE OFFICE**  
7 Manfull Street  
Melrose Park  
SA 5039 Australia

1300 4 ELITE | 03 9314 6105  
sales@eliteglassolutions.com.au  
www.eliteglassolutions.com.au

CONTENTS		
<b>SHOWER GLASS SHELF BRACKETS</b>		<b>37-39</b>
SB6 SB8 SB10 SB12	GLASS SHELF BRACKET ROUND EDGE	37
SB6.SQ SB8.SQ SB10.SQ SB12.SQ	GLASS SHELF BRACKET SQUARE EDGE	37
SB10.GF SB10.GF.SQ	GLASS SHELF BRACKET WITH GRUB SCREW	38
SB10.HL SB10.HL.SQ	GLASS SHELF BRACKET WITH HORIZONTAL LEG	38
SB10.VL SB10.VL.SQ	GLASS SHELF BRACKET WITH VERTICAL LEG	39
SB500	GLASS SHELF BRACKET	39
SB41	GLASS SHELF BRACKET	39
<b>SHOWER DOOR STOPS</b>		<b>40-41</b>
SB10.STOP SB10.STOP.SQ	SHOWER DOOR STOP	40
DSP.25	SHOWER DOOR STOP	41
DSP.26	SHOWER DOOR STOP	41
DSP.27	SHOWER DOOR STOP	41
<b>SHOWER FIXED BRACKETS</b>		<b>42-45</b>
MB45	FIXED BRACKET GLASS TO WALL 90° CONCEALED FIXING	42
MB50	FIXED BRACKET GLASS TO WALL 90°	43
MBD.50	FIXED BRACKET GLASS TO GLASS 90° DOUBLE SIDED	43
MBD.135	FIXED BRACKET GLASS TO GLASS 135° DOUBLE SIDED	44
MB.180	FIXED BRACKET GLASS TO WALL 180° FLAT	44
MBD.180	FIXED BRACKET GLASS TO GLASS 180° DOUBLE SIDED FLAT	45
<b>SHOWER PULL KNOBS</b>		<b>46-53</b>
MH20	PULL KNOB FINGER SET	46
MH40	PULL KNOB DOUBLE	47
SK25	PULL KNOB DOUBLE	47
SK30	PULL KNOB DOUBLE	48
SK35	PULL KNOB DOUBLE	48
SK38	PULL KNOB DOUBLE SQUARE	49
SK40 SKB40 SK40.SQ	PULL KNOB DOUBLE	49
SK45	PULL KNOB DOUBLE	50
SK50	PULL KNOB DOUBLE	50
SK60	PULL KNOB DOUBLE	51
SK70	PULL KNOB DOUBLE	51
SK80	PULL KNOB DOUBLE	52
EGSH50	PULL KNOB DOUBLE ROUND	52
SS.9	SLIDING DOOR FINGER PULL	53

CONTENTS		
<b>SHOWER PULL HANDLES</b>		<b>54-58</b>
SH210 SH250 SH300 SH400 SH450 SH500	PULL HANDLE DOUBLE D	54
TRK210 TRK250 TRK300 TRK400 TRK450 TRK500	PULL HANDLE TOWEL HANDLE	55
CUBIX.25	PULL HANDLE DOUBLE 25MM WIDTH	55
CUBIX.50	PULL HANDLE DOUBLE 50MM WIDTH	56
HO.1 HO.2	PULL HANDLE MATISSE DOUBLE	56
WAVE210	PULL HANDLE WAVE DOUBLE	57
CREST210	PULL HANDLE CREST DOUBLE	57
TUSK150	PULL HANDLE TUSK DOUBLE	58
HM.150 HM.210 HM.210.SQ HM.300	PULL HANDLE MARSH	58
<b>BRACING BARS</b>		<b>59-67</b>
WB240	BRACING BAR GLASS TO WALL CORNER	59
GWB90	BRACING BAR ADJUSTABLE GLASS TO WALL	60
GGB135	BRACING BAR ADJUSTABLE GLASS TO GLASS	60
WB700 WB700.SQ	BRACING BAR ADJUSTABLE GLASS TO WALL	61
GGB700	BRACING BAR ADJUSTABLE GLASS TO GLASS	61
GWB1200.OPF	BRACING BAR TRIM TO FIT GLASS TO WALL	62
GWB1200	BRACING BAR TRIM TO FIT GLASS TO WALL 25MM DIAMETER	62
WB300L WB450L	BRACING BAR GLASS TO WALL CORNER	63
	BRACING BAR CUSTOM SIZE	64
OPF1 OPF1.SQ OPF2 OPF2.SQ	OVERPANEL FITTINGS	65
SF.M003	OVERPANEL 90° FITTING	65
HS1000	HEADER SYSTEM ALUMINIUM PROFILE	66
HS1010 HS1020 HS1030	HEADER SYSTEM ALUMINIUM FIXING BRACKETS	67
HS1040 HS1050	HEADER SYSTEM ALUMINIUM GLAZING WEDGE AND INFILLS	67



**ELITE GLASS  
SOLUTIONS**

**HEAD OFFICE**  
114 Endeavour Way  
Sunshine West  
VIC 3020 Australia

**ADELAIDE OFFICE**  
7 Manfull Street  
Melrose Park  
SA 5039 Australia

1300 4 ELITE | 03 9314 6105  
sales@eliteglassolutions.com.au  
www.eliteglassolutions.com.au

CONTENTS		
DOOR SEALS, WATER SEALS AND CHANNELS		68-76
DS4	DOOR SEAL D SHAPED	68
DS5	DOOR SEAL CLEAR	68
DS10	DOOR SEAL U CHANNEL	69
LS1	DOOR SEAL L SHAPED	69
TS1	DOOR SEAL T SHAPED	69
WS1	WATER SEAL WITH FELT INSERT	70
WS3	WATER SEAL WATERBAR SECTION	70
HR1	WATER SEAL HALF ROUND SECTION	70
HR2	WATER SEAL CLEAR	70
MWB10	WATERBAR OFFSET ROUND	71
AS18	WATER SEAL ANGLE SECTION 18MM HEIGHT	71
WS10.01	WATER SEAL RIGID CLEAR PVC	71
WS10.02	WATER SEAL RIGID CLEAR PVC WITH REMOVABLE FLEXIBLE FIN	71
WS10.03	WATER SEAL RIGID/FLEXIBLE CLEAR PVC 180° DOOR/SIDELIGHT APPLICATION	72
WS10.04	WATER SEAL RIGID/FLEXIBLE CLEAR PVC 90° DOOR/SIDELIGHT APPLICATION	72
WS10.05	WATER SEAL RIGID/FLEXIBLE CLEAR PVC 90° DOOR TO WALL APPLICATION	72
WS10.06	WATER SEAL RIGID CLEAR PVC CLIP WITH FLEXIBLE FIN	72
WS10.07	WATER SEAL RIGID CLEAR PVC WITH FLEXIBLE ROUND BULB SECTION FOR DOOR TO WALL OR DOOR TO SIDELIGHT APPLICATION	73
WS10.08	WATER SEAL RIGID/FLEXIBLE CLEAR PVC SUITABLE FOR 90° APPLICATIONS	73
WS10.09	WATER SEAL RIGID/FLEXIBLE CLEAR PVC SUITABLE FOR 135° APPLICATIONS	73
WS10.10	WATER SEAL RIGID CLEAR PVC CLIP WITH DUAL FLEXIBLE FIN	73
WS10.11	WATER SEAL RIGID CLEAR PVC CLIP WITH PVC FIN FOR 180° APPLICATIONS	74
WS06.06	WATER SEAL RIGID/FLEXIBLE CLEAR PVC FOR 135° DOOR TO SIDE PANEL APPLICATION	74
WS06.09	WATER SEAL RIGID/FLEXIBLE CLEAR PVC FOR 135° DOOR TO SIDE PANEL APPLICATION	74
WS06.10	WATER SEAL RIGID/FLEXIBLE CLEAR PVC FOR 135° DOOR TO SIDE PANEL APPLICATION	74
WS06.11	WATER SEAL RIGID/FLEXIBLE CLEAR PVC FOR BOTH 180° GLASS TO GLASS AND UNDERNEATH DOORS	75

CONTENTS		
DOOR SEALS, WATER SEALS AND CHANNELS		68-76
HS18	CHANNEL ALUMINIUM SHOWER GLAZING CHANNEL 18MM	75
CH15	CHANNEL ALUMINIUM SHOWER GLAZING CHANNEL 15MM	75
CH16	CHANNEL ALUMINIUM LOW PROFILE 16MM	75
CH18	CHANNEL ALUMINIUM SHOWER GLAZING CHANNEL 18MM	76
EC1	END CAPS	76
EC45		
ACCESSORIES		77-79
RH1	ROBE HOOK	77
TRH1	TOILET ROLL HOLDER	77
PP1.5 PP2 PP3 PP4 PP5 PP6	MEASURING PACKERS	78
SS1	SILICONE SPATULA	78
SS2	SILICONE SPATULA	78
SSB100	SHOWER SUPPORT BRACKET	78
W25 W30 W37 W43	WASHERS	79
WS2.25 WS2.38 WS2.50 MS612.304 HS612.304	SCREWS	79
GLASS SHELVES		80-82
GS150	GLASS SHELF CORNER	80
GS200.CFL GS200.LOW	GLASS SHELF CORNER	80
GS250.CFL GS250.LOW	GLASS SHELF CORNER	80
GS300	GLASS SHELF CORNER	81
GSA200	GLASS SHELF CORNER ANGLED	81
GSA250	GLASS SHELF CORNER ANGLED	81
GSS200.CFL GSS200.LOW	GLASS SHELF CORNER WITH SOAP AREA	81
GSS250.CFL GSS250.LOW	GLASS SHELF CORNER WITH SOAP AREA	81
GS.WAVE	GLASS SHELF CURVED WAVE	82
GS.RECTO.300 GS.RECTO.600 GS.RECTO.900	GLASS SHELF RECTANGLE	82
GS.CIRCO	GLASS SHELF HALF CIRCLE	82
GS.CRESCENT	GLASS SHELF CRESCENT	82
EUROGLASS WARRANTY INFORMATION		84



**ELITE GLASS  
SOLUTIONS**

**HEAD OFFICE**  
114 Endeavour Way  
Sunshine West  
VIC 3020 Australia

**ADELAIDE OFFICE**  
7 Manfull Street  
Melrose Park  
SA 5039 Australia

1300 4 ELITE | 03 9314 6105  
sales@eliteglassolutions.com.au  
www.eliteglassolutions.com.au

## INSTALLATION

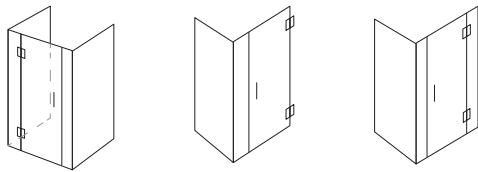
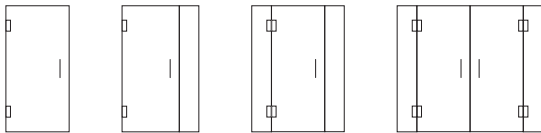
ELITE GLASS provides a comprehensive range of accessories produced to give architects and decorators complete freedom of design when using toughened glass in showers.

European designed, and manufactured to the highest standard the ELITE GLASS range of fittings provide a slim and neat appearance so that the glass remains the central feature.

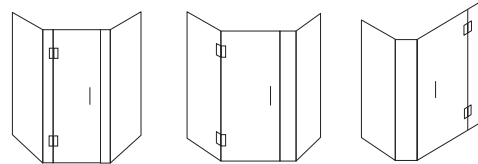
All hinges and handles are a combination of brass and stainless steel. Available in the following finishes:

- polished stainless steel,
- polished chrome,
- satin chrome,
- satin stainless steel and
- special finishes upon request, lead times apply.

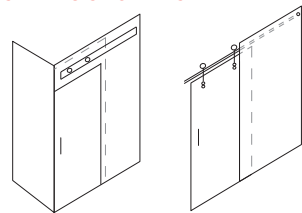
### INLINE SHOWERS



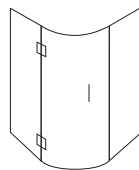
### QUADRANT SHOWERS



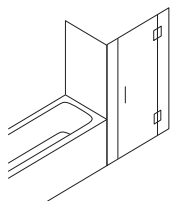
### SLIDING SHOWERS



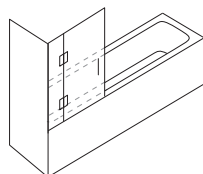
### CURVED SHOWER



### BATH-END SHOWER



### BI-FOLD BATH SCREEN



## GLASS

All glass used in frameless glass shower assemblies must be approved 8mm or 10mm toughened float safety glass.

### GLASS THICKNESS

10mm glass thickness is recommended in most assemblies, especially in glass to glass situations. 8mm glass thickness can be used when panels /doors are relatively narrow or especially when wall fixing (for door hanging) is suspect.

### DOORS

All doors are standard double action opening both inwards and outwards. A single action stop may be provided if required.

Standard door widths are generally between 600mm to 700mm for wall hung doors and 550mm to 650mm for glass to glass doors.

Maximum recommended width / weight for two hinge doors:

- 8mm: 900mm width 35kg (1.75m<sup>2</sup>)
- 10mm: 800mm width 35kg (1.40m<sup>2</sup>) glass-to-glass
- 10mm: 800mm width 37.5kg (1.50m<sup>2</sup>) wall hung

For doors outside either of the above maximums three hinges should be fitted. Standard door heights are generally between 1.85 meters and 2.1 meters.

### WALL FIXING

For doors hinged directly from the wall adequate stud fixing is required – generally either a double stud or an approximate 90mm width of timber fitted between nogs at hinge levels.

Where inadequate wall fixing is suspected, it is recommended that the door be hung from a glass side panel.

### SPECIAL BRACING REQUIREMENTS

Head support is recommended (in the form of either a top channel or a glass over panel) for glass to glass assemblies as follows:

- where the combined width of the door and side, panel/s it is hung from exceed 900mm and
- on all quadrant and curved showers.

Where a side panel (fixed only to the base and wall) exceeds 900mm in width a return panel of a minimum 150mm width would be required to stabilise the side panel.



**ELITE GLASS  
SOLUTIONS**

**HEAD OFFICE**  
114 Endeavour Way  
Sunshine West  
VIC 3020 Australia

**ADELAIDE OFFICE**  
7 Manfull Street  
Melrose Park  
SA 5039 Australia

1300 4 ELITE | 03 9314 6105  
sales@eliteglassolutions.com.au  
www.eliteglassolutions.com.au

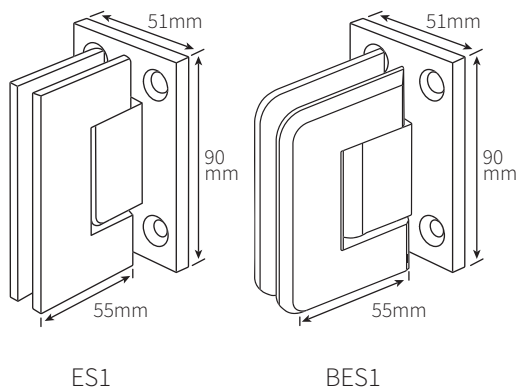
SHOWER HINGES  
10MM GLASS  
THICKNESS



SHOWER HINGE WALL MOUNT

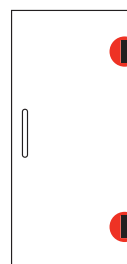
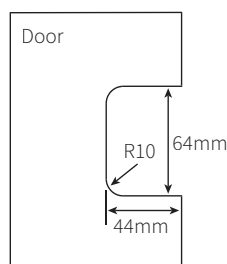
Item number	<ul style="list-style-type: none"> <li>• ES1 - square edge</li> <li>• BES1 - bevelled edge</li> </ul>
Description	<ul style="list-style-type: none"> <li>• shower hinge wall mount</li> <li>• manufactured in brass</li> <li>• dual action hinge, opening inwards and outwards</li> <li>• self closing from approximately 25°</li> <li>• maximum door weight 35kg</li> <li>• stud fixing recommended for all wall mount applications</li> </ul>
Suitable for	<ul style="list-style-type: none"> <li>• 10mm glass thickness</li> <li>• adaptable for 6mm, 8mm and 12mm glass thickness on request</li> </ul>
Material finish	<ul style="list-style-type: none"> <li>• polished or satin chrome</li> <li>• special finishes on request, lead time applies</li> </ul>
Order	<ul style="list-style-type: none"> <li>• fixing screws are not included, specify if required</li> </ul>

ES1/BES1



GLASS CUT OUT DETAIL

INSITU APPLICATION



ELITE GLASS  
SOLUTIONS

HEAD OFFICE  
114 Endeavour Way  
Sunshine West  
VIC 3020 Australia

ADELAIDE OFFICE  
7 Manfull Street  
Melrose Park  
SA 5039 Australia

1300 4 ELITE | 03 9314 6105  
sales@eliteglassolutions.com.au  
www.eliteglassolutions.com.au

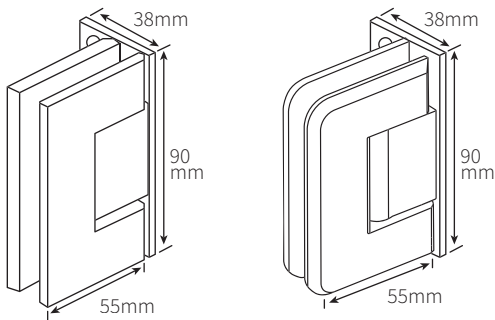
**SHOWER HINGE WALL MOUNT WITH OFFSET THREE HOLE FIXING PLATE**

<b>Item number</b>	<ul style="list-style-type: none"> <li>• ES1L3 - square edge</li> <li>• BES1L3 - bevelled edge</li> </ul>
<b>Description</b>	<ul style="list-style-type: none"> <li>• shower hinge wall mount with offset three hole fixing plate</li> <li>• manufactured in brass</li> <li>• dual action hinge, opening inwards and outwards</li> <li>• self closing from approximately 25°</li> <li>• maximum door weight 35kg</li> <li>• stud fixing recommended for all wall mount applications</li> </ul>
<b>Suitable for</b>	<ul style="list-style-type: none"> <li>• 10mm glass thickness</li> <li>• adaptable for 6mm, 8mm and 12mm glass thickness on request</li> </ul>
<b>Material finish</b>	<ul style="list-style-type: none"> <li>• polished or satin chrome</li> <li>• ORB</li> <li>• special finishes on request, lead time applies</li> </ul>
<b>Order</b>	<ul style="list-style-type: none"> <li>• fixing screws are not included, specify if required</li> </ul>

**SHOWER HINGE WALL MOUNT WITH OFFSET EXTENDED FIXING PLATE**

<b>Item number</b>	<ul style="list-style-type: none"> <li>• ES1LCBP - square edge</li> <li>• BES1LCBP - bevelled edge</li> </ul>
<b>Description</b>	<ul style="list-style-type: none"> <li>• shower hinge wall mount with offset extended fixing plate</li> <li>• manufactured in brass</li> <li>• dual action hinge, opening inwards and outwards</li> <li>• self closing from approximately 25°</li> <li>• maximum door weight 35kg</li> <li>• stud fixing recommended for all wall mount applications</li> </ul>
<b>Suitable for</b>	<ul style="list-style-type: none"> <li>• 10mm glass thickness</li> <li>• adaptable for 6mm, 8mm and 12mm glass thickness on request</li> </ul>
<b>Material finish</b>	<ul style="list-style-type: none"> <li>• polished or satin chrome</li> <li>• ORB</li> <li>• special finishes on request, lead time applies</li> </ul>
<b>Order</b>	<ul style="list-style-type: none"> <li>• fixing screws are not included, specify if required</li> </ul>

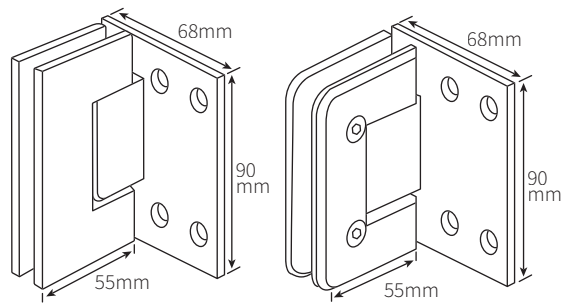
ES1L3/  
BES1L3



ES1L3

BES1L3

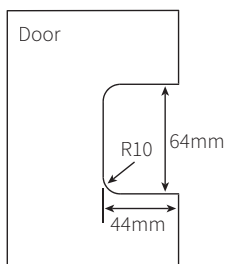
ES1LCBP/  
BES1LCBP



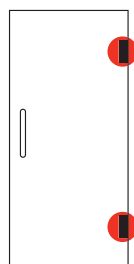
ES1LCBP

BES1LCBP

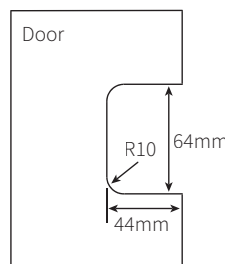
GLASS CUT OUT DETAIL



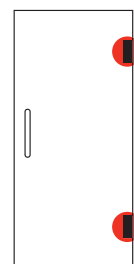
INSITU APPLICATION



GLASS CUT OUT DETAIL



INSITU APPLICATION



**ELITE GLASS SOLUTIONS**

**HEAD OFFICE**  
114 Endeavour Way  
Sunshine West  
VIC 3020 Australia

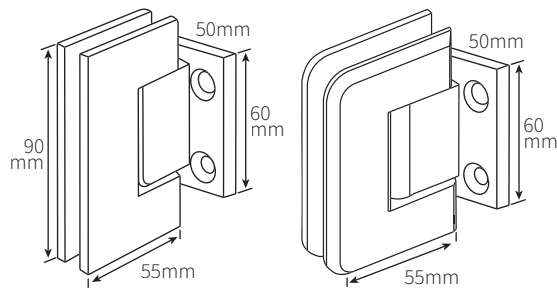
**ADELAIDE OFFICE**  
7 Manfull Street  
Melrose Park  
SA 5039 Australia

1300 4 ELITE | 03 9314 6105  
sales@eliteglassolutions.com.au  
www.eliteglassolutions.com.au

**SHOWER HINGE WALL MOUNT WITH SHORT FIXING PLATE**

<b>Item number</b>	<ul style="list-style-type: none"> <li>• ES1.SB - square edge</li> <li>• BES1.SB - bevelled edge</li> </ul>
<b>Description</b>	<ul style="list-style-type: none"> <li>• shower hinge wall mount with short fixing plate</li> <li>• manufactured in brass</li> <li>• dual action hinge, opening inwards and outwards</li> <li>• self closing from approximately 25°</li> <li>• maximum door weight 35kg</li> <li>• maximum door width 800mm (for 10mm glass thickness)</li> <li>• stud fixing recommended for all glass to wall applications</li> </ul>
<b>Suitable for</b>	<ul style="list-style-type: none"> <li>• 10mm glass thickness</li> <li>• adaptable for 6mm, 8mm and 12mm glass thickness on request</li> </ul>
<b>Material finish</b>	<ul style="list-style-type: none"> <li>• polished or satin chrome</li> <li>• special finishes on request, lead time applies</li> </ul>

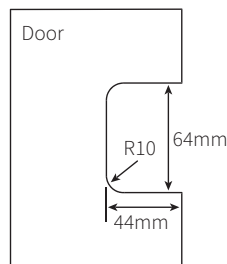
ES1.SB/  
BES1.SB



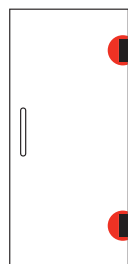
ES1.SB

BES1.SB

GLASS CUT OUT DETAIL



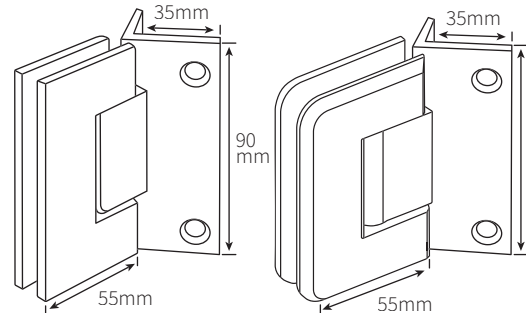
INSITU APPLICATION



**SHOWER HINGE WALL MOUNT 135° CORNER WITH 90° FIXING PLATE**

<b>Item number</b>	<ul style="list-style-type: none"> <li>• ES1.90 - square edge</li> <li>• BES1.90 - bevelled edge</li> </ul>
<b>Description</b>	<ul style="list-style-type: none"> <li>• shower hinge wall mount 135° corner with 90° fixing plate</li> <li>• manufactured in brass</li> <li>• dual action hinge, opening inwards and outwards</li> <li>• self closing from approximately 25°</li> <li>• maximum door weight 35kg</li> <li>• maximum door width 800mm (for 10mm glass thickness)</li> <li>• stud fixing recommended for all glass to wall applications</li> </ul>
<b>Suitable for</b>	<ul style="list-style-type: none"> <li>• 10mm glass thickness</li> <li>• adaptable for 6mm, 8mm and 12mm glass thickness on request</li> </ul>
<b>Material finish</b>	<ul style="list-style-type: none"> <li>• polished or satin chrome</li> <li>• special finishes on request, lead time applies</li> </ul>

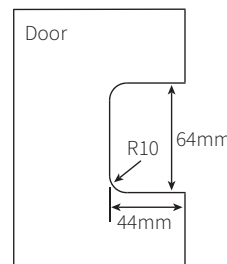
ES1.90/  
BES1.90



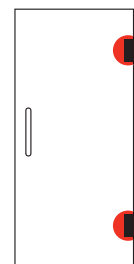
ES1.90

BES1.90

GLASS CUT OUT DETAIL



INSITU APPLICATION



**ELITE GLASS SOLUTIONS**

**HEAD OFFICE**  
114 Endeavour Way  
Sunshine West  
VIC 3020 Australia

**ADELAIDE OFFICE**  
7 Manfull Street  
Melrose Park  
SA 5039 Australia

1300 4 ELITE | 03 9314 6105  
sales@eliteglassolutions.com.au  
www.eliteglassolutions.com.au



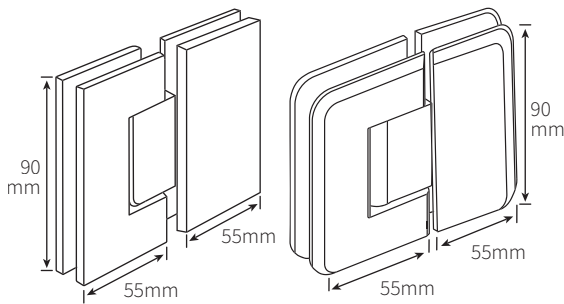
SHOWER HINGE GLASS TO GLASS

Item number	<ul style="list-style-type: none"> <li>ES2 - square edge</li> <li>BES2 - bevelled edge</li> </ul>
Description	<ul style="list-style-type: none"> <li>shower hinge glass to glass</li> <li>manufactured in brass</li> <li>dual action hinge, opening inwards and outwards</li> <li>self closing from approximately 25°</li> <li>maximum door weight 35kg</li> <li>maximum door width 800mm (for 10mm glass thickness)</li> </ul>
Suitable for	<ul style="list-style-type: none"> <li>10mm glass thickness</li> <li>adaptable for 6mm, 8mm and 12mm glass thickness on request</li> </ul>
Material finish	<ul style="list-style-type: none"> <li>polished or satin chrome</li> <li>ORB</li> <li>special finishes on request, lead time applies</li> </ul>

SHOWER HINGE 135° GLASS TO GLASS

Item number	<ul style="list-style-type: none"> <li>ES2.135 - square edge</li> <li>BES2.135 - bevelled edge</li> </ul>
Description	<ul style="list-style-type: none"> <li>shower hinge 135° glass to glass</li> <li>manufactured in brass</li> <li>dual action hinge, opening inwards and outwards</li> <li>self closing from approximately 25°</li> <li>maximum door weight 35kg</li> <li>maximum door width 800mm (for 10mm glass thickness)</li> <li>custom angles available from minimum 125°</li> </ul>
Suitable for	<ul style="list-style-type: none"> <li>10mm glass thickness</li> <li>adaptable for 6mm, 8mm and 12mm glass thickness on request</li> </ul>
Material finish	<ul style="list-style-type: none"> <li>polished or satin chrome</li> <li>ORB</li> <li>special finishes on request, lead time applies</li> </ul>

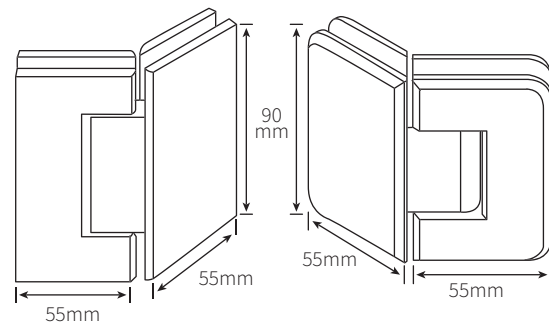
ES2/BES2



ES2

BES2

ES2.135/  
BES2.135

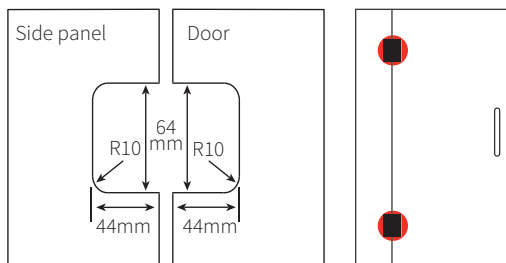


ES2.135

BES2.135

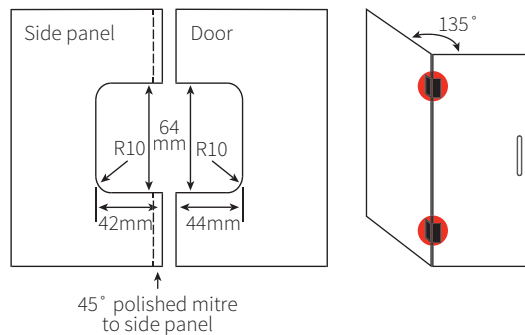
GLASS CUT OUT DETAIL

INSITU APPLICATION



GLASS CUT OUT DETAIL

INSITU APPLICATION



ELITE GLASS SOLUTIONS

HEAD OFFICE  
114 Endeavour Way  
Sunshine West  
VIC 3020 Australia

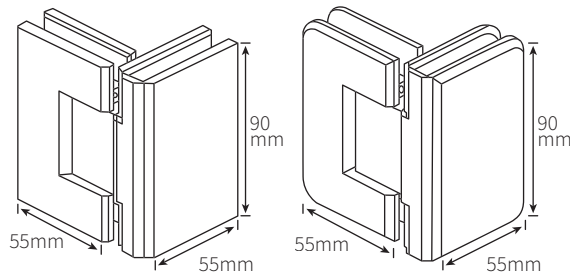
ADELAIDE OFFICE  
7 Manfull Street  
Melrose Park  
SA 5039 Australia

1300 4 ELITE | 03 9314 6105  
sales@eliteglassolutions.com.au  
www.eliteglassolutions.com.au

SHOWER HINGE 90° GLASS TO GLASS

Item number	<ul style="list-style-type: none"> <li>• ES2.90 - square edge</li> <li>• BES2.90 - bevelled edge</li> </ul>
Description	<ul style="list-style-type: none"> <li>• shower hinge 90° glass to glass</li> <li>• manufactured in brass</li> <li>• dual action hinge, opening inwards and outwards</li> <li>• self closing from approximately 25°</li> <li>• maximum door weight 35kg</li> <li>• maximum door width 800mm (for 10mm glass thickness)</li> </ul>
Suitable for	<ul style="list-style-type: none"> <li>• 10mm glass thickness</li> <li>• adaptable for 6mm, 8mm and 12mm glass thickness on request</li> </ul>
Material finish	<ul style="list-style-type: none"> <li>• polished or satin chrome</li> <li>• ORB</li> <li>• special finishes on request, lead time applies</li> </ul>

ES2.90/  
BES2.90



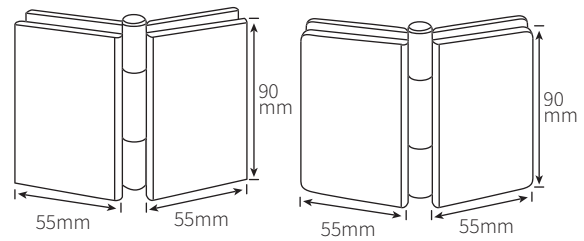
ES2.90

BES2.90

SHOWER HINGE BIFOLD GLASS TO GLASS

Item number	<ul style="list-style-type: none"> <li>• ES2.BF - square edge</li> <li>• BES2.BF - bevelled edge</li> </ul>
Description	<ul style="list-style-type: none"> <li>• shower hinge bifold glass to glass</li> <li>• manufactured in brass</li> <li>• 180° single action hinge, opening inwards or outwards</li> <li>• maximum door weight 35kg</li> <li>• maximum door width 800mm (for 10mm glass thickness)</li> </ul>
Suitable for	<ul style="list-style-type: none"> <li>• 10mm glass thickness</li> <li>• adaptable for 6mm, 8mm and 12mm glass thickness on request</li> </ul>
Material finish	<ul style="list-style-type: none"> <li>• polished or satin chrome</li> <li>• ORB</li> <li>• special finishes on request, lead time applies</li> </ul>

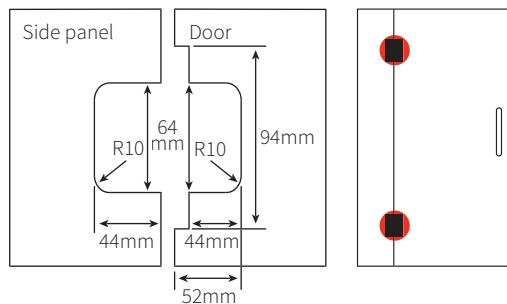
ES2.BF/  
BES2.BF



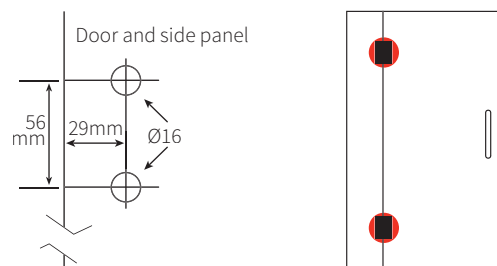
ES2.BF

BES2.BF

GLASS CUT OUT DETAIL    INSITU APPLICATION



GLASS CUT OUT DETAIL    INSITU APPLICATION



ELITE GLASS SOLUTIONS

HEAD OFFICE  
114 Endeavour Way  
Sunshine West  
VIC 3020 Australia

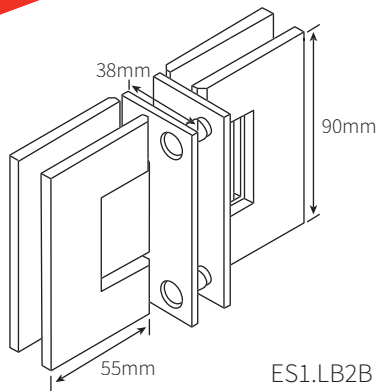
ADELAIDE OFFICE  
7 Manfull Street  
Melrose Park  
SA 5039 Australia

1300 4 ELITE | 03 9314 6105  
sales@eliteglassolutions.com.au  
www.eliteglassolutions.com.au

SHOWER HINGE 90° L SHAPE GLASS TO GLASS

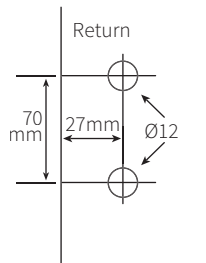
Item number	<ul style="list-style-type: none"> <li>ES1.LB2B - square edge</li> <li>BES1.LB2B - bevelled edge</li> </ul>
Description	<ul style="list-style-type: none"> <li>shower hinge 90° L shape glass to glass</li> <li>manufactured in brass</li> <li>dual action hinge, opening inwards and outwards</li> <li>self closing from approximately 25°</li> <li>maximum door weight 35kg</li> <li>maximum door width 800mm (for 10mm glass thickness)</li> </ul>
Suitable for	<ul style="list-style-type: none"> <li>10mm glass thickness</li> <li>adaptable for 6mm, 8mm and 12mm glass thickness on request</li> </ul>
Material finish	<ul style="list-style-type: none"> <li>polished or satin chrome</li> <li>ORB</li> <li>special finishes on request, lead time applies</li> </ul>

ES1.LB2B

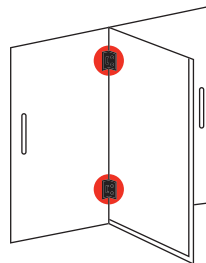


ES1.LB2B

GLASS CUT OUT DETAIL



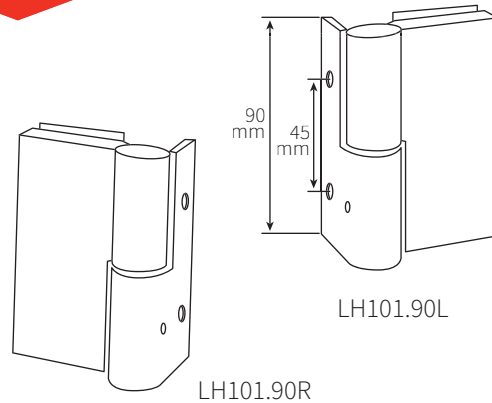
INSITU APPLICATION



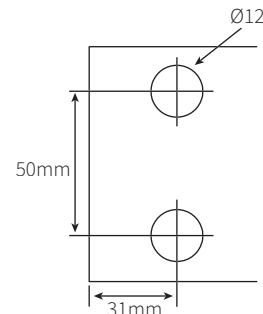
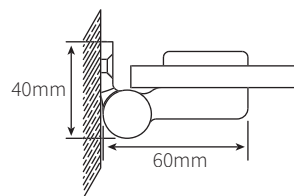
SHOWER LIFT OFF HINGE WALL TO GLASS

Item number	<ul style="list-style-type: none"> <li>LH101.90L - left opening</li> <li>LH101.90R - right opening</li> </ul>
Description	<ul style="list-style-type: none"> <li>shower lift off hinge wall to glass</li> <li>maximum door weight 45kg</li> <li>brass body</li> <li>cover caps to conceal fixings (chrome plated only)</li> <li>protective clear wrap on hinge plates</li> </ul>
Suitable for	<ul style="list-style-type: none"> <li>8mm, 10mm and 12mm glass thickness</li> </ul>
Material finish	<ul style="list-style-type: none"> <li>polished or satin chrome</li> <li>special finishes on request, lead time applies</li> </ul>

LH101.90L  
LH101.90R



GLASS PREPARATION



ELITE GLASS SOLUTIONS

HEAD OFFICE  
114 Endeavour Way  
Sunshine West  
VIC 3020 Australia

ADELAIDE OFFICE  
7 Manfull Street  
Melrose Park  
SA 5039 Australia

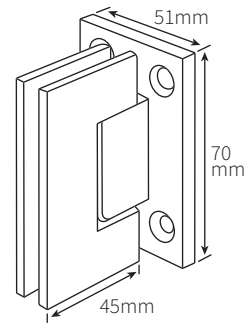
1300 4 ELITE | 03 9314 6105  
sales@eliteglassolutions.com.au  
www.eliteglassolutions.com.au



**SHOWER HINGE** WALL MOUNT  
SUITABLE FOR 6MM GLASS THICKNESS

Item number	CMES1
Description	<ul style="list-style-type: none"> <li>• shower hinge wall mount suitable for 6mm glass thickness</li> <li>• manufactured in brass</li> <li>• dual action hinge, opening inwards and outwards</li> <li>• self closing from approximately 25°</li> <li>• maximum door weight 25kg</li> <li>• maximum door width 700mm</li> <li>• stud fixing recommended for all glass to wall applications</li> </ul>
Suitable for	• 6mm glass thickness
Material finish	<ul style="list-style-type: none"> <li>• polished or satin chrome</li> <li>• special finishes on request, lead time applies</li> </ul>

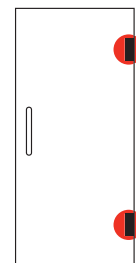
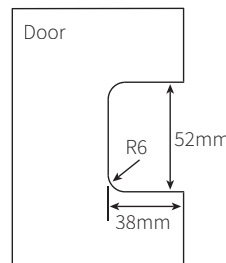
CMES1



CMES1

GLASS CUT OUT DETAIL

INSITU APPLICATION



**ELITE GLASS SOLUTIONS**

**HEAD OFFICE**  
114 Endeavour Way  
Sunshine West  
VIC 3020 Australia

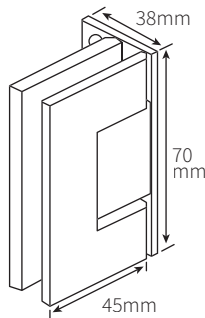
**ADELAIDE OFFICE**  
7 Manfull Street  
Melrose Park  
SA 5039 Australia

1300 4 ELITE | 03 9314 6105  
sales@eliteglassolutions.com.au  
www.eliteglassolutions.com.au

**SHOWER HINGE WALL MOUNT SINGLE SIDE**  
SUITABLE FOR 6MM GLASS THICKNESS

Item number	CMES1.L
Description	<ul style="list-style-type: none"> <li>shower hinge wall mount single side suitable for 6mm glass thickness</li> <li>manufactured in brass</li> <li>dual action hinge, opening inwards and outwards</li> <li>self closing from approximately 25°</li> <li>maximum door weight 28kg</li> <li>maximum door width 710mm</li> <li>stud fixing recommended for all glass to wall applications</li> </ul>
Suitable for	6mm glass thickness
Material finish	<ul style="list-style-type: none"> <li>polished or satin chrome</li> <li>ORB</li> <li>special finishes on request, lead time applies</li> </ul>

CMES1.L

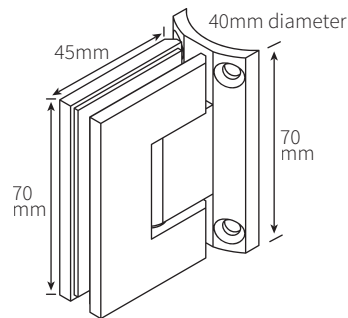


CMES1.L

**SHOWER HINGE GLASS TO ROUND POST**  
SUITABLE FOR 6MM GLASS THICKNESS

Item number	CMES1.RP
Description	<ul style="list-style-type: none"> <li>shower hinge glass to round post suitable for 6mm glass thickness</li> <li>manufactured in brass</li> <li>dual action hinge, opening inwards and outwards</li> <li>self closing from approximately 25°</li> <li>designed for 40mm diameter post mount</li> </ul>
Suitable for	6mm glass thickness
Material finish	<ul style="list-style-type: none"> <li>polished or satin chrome</li> <li>special finishes on request, lead time applies</li> </ul>

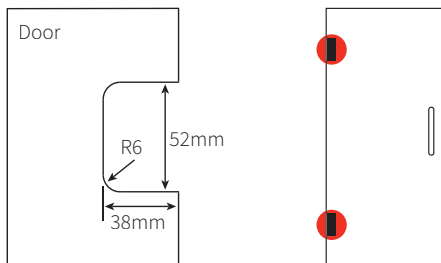
CMES1.RP



CMES1.RP

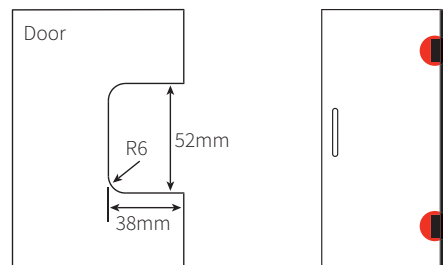
GLASS CUT OUT DETAIL

INSITU APPLICATION



GLASS CUT OUT DETAIL

INSITU APPLICATION



**ELITE GLASS SOLUTIONS**

**HEAD OFFICE**  
114 Endeavour Way  
Sunshine West  
VIC 3020 Australia

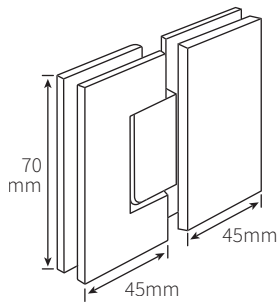
**ADELAIDE OFFICE**  
7 Manfull Street  
Melrose Park  
SA 5039 Australia

1300 4 ELITE | 03 9314 6105  
sales@eliteglassolutions.com.au  
www.eliteglassolutions.com.au

**SHOWER HINGE 180° GLASS TO GLASS**  
SUITABLE FOR 6MM GLASS THICKNESS

<b>Item number</b>	CMES2
<b>Description</b>	<ul style="list-style-type: none"> <li>shower hinge 180° glass to glass suitable for 6mm glass thickness</li> <li>manufactured in brass</li> <li>dual action hinge, opening inwards and outwards</li> <li>self closing from approximately 25°</li> <li>maximum door weight 25kg</li> <li>maximum door width 700mm</li> </ul>
<b>Suitable for</b>	• 6mm glass thickness
<b>Material finish</b>	<ul style="list-style-type: none"> <li>polished or satin chrome</li> <li>ORB</li> <li>special finishes on request, lead time applies</li> </ul>

CMES2

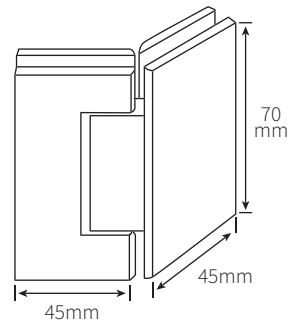


CMES2

**SHOWER HINGE 135° GLASS TO GLASS**  
SUITABLE FOR 6MM GLASS THICKNESS

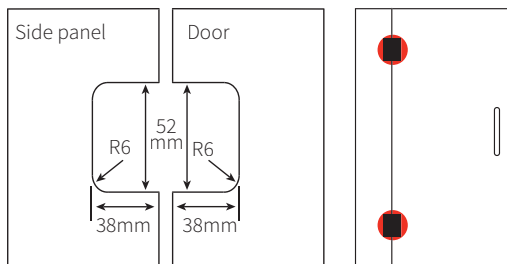
<b>Item number</b>	CMES2.135
<b>Description</b>	<ul style="list-style-type: none"> <li>shower hinge 135° glass to glass suitable for 6mm glass thickness</li> <li>manufactured in brass</li> <li>dual action hinge, opening inwards and outwards</li> <li>self closing from approximately 25°</li> <li>maximum door weight 25kg</li> <li>maximum door width 700mm</li> </ul>
<b>Suitable for</b>	• 6mm glass thickness
<b>Material finish</b>	<ul style="list-style-type: none"> <li>polished or satin chrome</li> <li>ORB</li> <li>special finishes on request, lead time applies</li> </ul>

CMES2.135

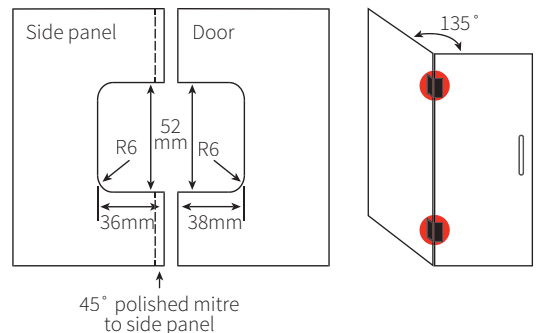


CMES2.135

GLASS CUT OUT DETAIL    INSITU APPLICATION



GLASS CUT OUT DETAIL    INSITU APPLICATION



**HEAD OFFICE**  
114 Endeavour Way  
Sunshine West  
VIC 3020 Australia

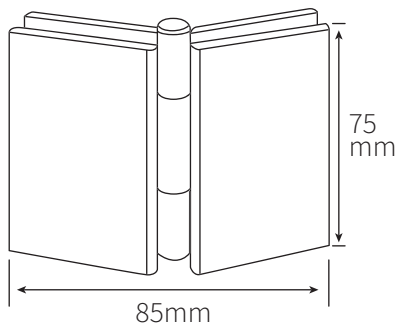
**ADELAIDE OFFICE**  
7 Manfull Street  
Melrose Park  
SA 5039 Australia

1300 4 ELITE | 03 9314 6105  
sales@eliteglassolutions.com.au  
www.eliteglassolutions.com.au

**SHOWER HINGE** BIFOLD GLASS TO GLASS  
SUITABLE FOR 6MM GLASS THICKNESS

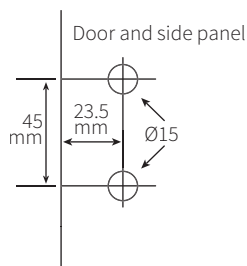
Item number	CMES2.BF
Description	<ul style="list-style-type: none"> <li>shower hinge bifold glass to glass suitable for 6mm glass thickness</li> <li>manufactured in brass</li> <li>hinge folds back 180°</li> <li>maximum door weight 20kg</li> <li>maximum door width 550mm</li> </ul>
Suitable for	6mm glass thickness
Material finish	<ul style="list-style-type: none"> <li>polished or satin chrome</li> <li>special finishes on request, lead time applies</li> </ul>

CMES2.BF

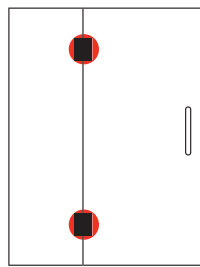


CMES2.BF

GLASS CUT OUT DETAIL



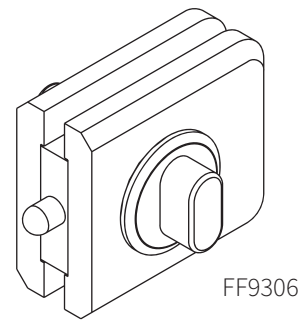
INSITU APPLICATION



**RIVIERA** BOAT LATCH

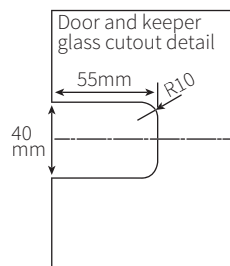
Item number	<ul style="list-style-type: none"> <li>FF9306 - boat latch suitable for 6mm glass thickness</li> <li>FF9310 - boat latch suitable for 10mm glass thickness</li> <li>FF930.K - glass keeper</li> </ul>
Description	<ul style="list-style-type: none"> <li>Riviera boat latch</li> <li>manufactured in brass</li> <li>sliding bolt spring action non-locking</li> </ul>
Suitable for	<ul style="list-style-type: none"> <li>6mm glass thickness (FF9306)</li> <li>10mm glass thickness (FF9310)</li> <li>to be used in conjunction with CMES hinge range</li> </ul>
Material finish	<ul style="list-style-type: none"> <li>polished or satin chrome</li> <li>special finishes on request, lead time applies</li> </ul>

FF9306/  
FF9310

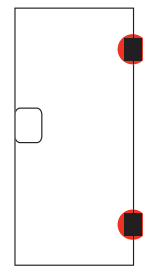


FF9306

GLASS CUT OUT DETAIL



INSITU APPLICATION



**ELITE GLASS SOLUTIONS**

**HEAD OFFICE**  
114 Endeavour Way  
Sunshine West  
VIC 3020 Australia

**ADELAIDE OFFICE**  
7 Manfull Street  
Melrose Park  
SA 5039 Australia

1300 4 ELITE | 03 9314 6105  
sales@eliteglassolutions.com.au  
www.eliteglassolutions.com.au

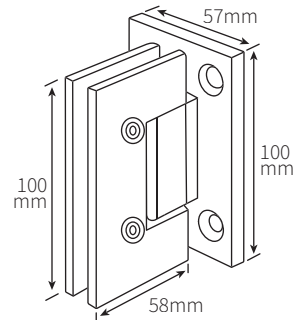
SHOWER HINGES  
10/12MM GLASS  
THICKNESS



**SHOWER HINGE** WALL MOUNT  
SUITABLE FOR 10MM AND 12MM  
GLASS THICKNESS

Item number	HD.ES1
Description	<ul style="list-style-type: none"> <li>• shower hinge wall mount heavy duty</li> <li>• manufactured in brass</li> <li>• dual action hinge, opening inwards and outwards</li> <li>• self closing from approximately 15°</li> <li>• using two hinges                             <ul style="list-style-type: none"> <li>– maximum door weight 50kg</li> <li>– maximum door width 900mm</li> </ul> </li> <li>• using three hinges                             <ul style="list-style-type: none"> <li>– maximum door weight 60kg</li> <li>– maximum door width 900mm</li> </ul> </li> </ul>
Suitable for	• 10mm and 12mm glass thickness
Material finish	<ul style="list-style-type: none"> <li>• polished or satin chrome</li> <li>• special finishes on request, lead time applies</li> </ul>

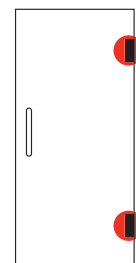
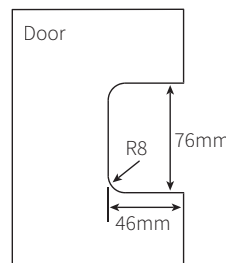
HD.ES1



HD.ES1

GLASS CUT OUT DETAIL

INSITU APPLICATION



**ELITE GLASS SOLUTIONS**

**HEAD OFFICE**  
114 Endeavour Way  
Sunshine West  
VIC 3020 Australia

**ADELAIDE OFFICE**  
7 Manfull Street  
Melrose Park  
SA 5039 Australia

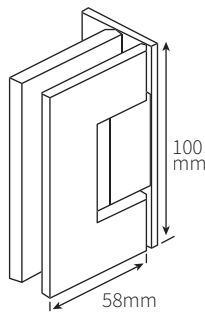
1300 4 ELITE | 03 9314 6105  
sales@eliteglassolutions.com.au  
www.eliteglassolutions.com.au



**SHOWER HINGE WALL MOUNT SINGLE SIDE**  
SUITABLE FOR 10MM AND 12MM  
GLASS THICKNESS

Item number	HD.ES1L3
Description	<ul style="list-style-type: none"> <li>• shower hinge wall mount single side heavy duty</li> <li>• manufactured in brass</li> <li>• dual action hinge, opening inwards and outwards</li> <li>• self closing from approximately 15°</li> <li>• using two hinges                             <ul style="list-style-type: none"> <li>– maximum door weight 50kg</li> <li>– maximum door width 900mm</li> </ul> </li> <li>• using three hinges                             <ul style="list-style-type: none"> <li>– maximum door weight 60kg</li> <li>– maximum door width 900mm</li> </ul> </li> </ul>
Suitable for	• 10mm and 12mm glass thickness
Material finish	<ul style="list-style-type: none"> <li>• polished or satin chrome</li> <li>• special finishes on request, lead time applies</li> </ul>

HD.ES1L3

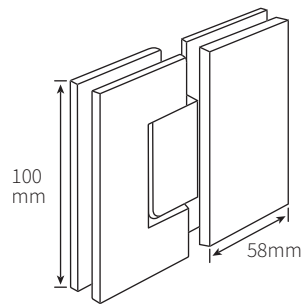


HD.ES1L3

**SHOWER HINGE 180° GLASS TO GLASS**  
SUITABLE FOR 10MM AND 12MM  
GLASS THICKNESS

Item number	HD.ES2
Description	<ul style="list-style-type: none"> <li>• shower hinge 180° glass to glass heavy duty</li> <li>• manufactured in brass</li> <li>• dual action hinge, opening inwards and outwards</li> <li>• self closing from approximately 15°</li> <li>• using two hinges                             <ul style="list-style-type: none"> <li>– maximum door weight 50kg</li> <li>– maximum door width 900mm</li> </ul> </li> <li>• using three hinges                             <ul style="list-style-type: none"> <li>– maximum door weight 60kg</li> <li>– maximum door width 900mm</li> </ul> </li> </ul>
Suitable for	• 10mm and 12mm glass thickness
Material finish	<ul style="list-style-type: none"> <li>• polished or satin chrome</li> <li>• special finishes on request, lead time applies</li> </ul>

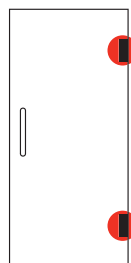
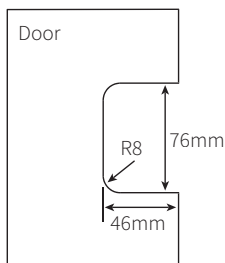
HD.ES2



HD.ES2

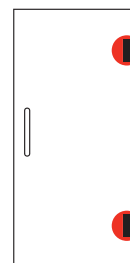
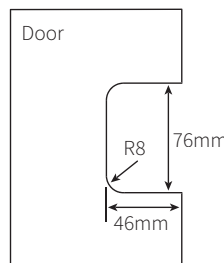
GLASS CUT OUT DETAIL

INSITU APPLICATION



GLASS CUT OUT DETAIL

INSITU APPLICATION



**ELITE GLASS SOLUTIONS**

**HEAD OFFICE**  
114 Endeavour Way  
Sunshine West  
VIC 3020 Australia

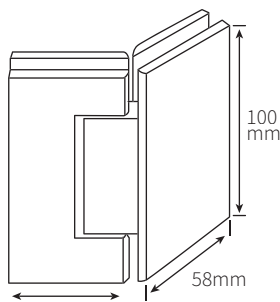
**ADELAIDE OFFICE**  
7 Manfull Street  
Melrose Park  
SA 5039 Australia

1300 4 ELITE | 03 9314 6105  
sales@eliteglassolutions.com.au  
www.eliteglassolutions.com.au

**SHOWER HINGE 135° GLASS TO GLASS**  
SUITABLE FOR 10MM AND 12MM  
GLASS THICKNESS

Item number	HD.ES2.135
Description	<ul style="list-style-type: none"> <li>• shower hinge 135° glass to glass</li> <li>• manufactured in brass</li> <li>• dual action hinge, opening inwards and outwards</li> <li>• self closing from approximately 15°</li> <li>• using two hinges                             <ul style="list-style-type: none"> <li>– maximum door weight 50kg</li> <li>– maximum door width 900mm</li> </ul> </li> <li>• using three hinges                             <ul style="list-style-type: none"> <li>– maximum door weight 60kg</li> <li>– maximum door width 900mm</li> </ul> </li> </ul>
Suitable for	• 10mm and 12mm glass thickness
Material finish	<ul style="list-style-type: none"> <li>• polished or satin chrome</li> <li>• special finishes on request, lead time applies</li> </ul>

HD.ES2.135

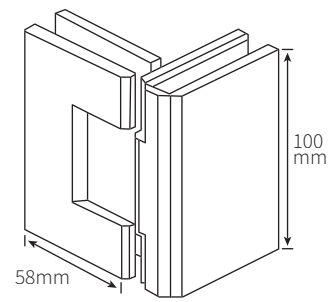


HD.ES2.135

**SHOWER HINGE 90° GLASS TO GLASS**  
SUITABLE FOR 10MM AND 12MM  
GLASS THICKNESS

Item number	HD.ES2.90
Description	<ul style="list-style-type: none"> <li>• shower hinge 90° glass to glass</li> <li>• manufactured in brass</li> <li>• dual action hinge, opening inwards and outwards</li> <li>• self closing from approximately 15°</li> <li>• using two hinges                             <ul style="list-style-type: none"> <li>– maximum door weight 50kg</li> <li>– maximum door width 900mm</li> </ul> </li> <li>• using three hinges                             <ul style="list-style-type: none"> <li>– maximum door weight 60kg</li> <li>– maximum door width 900mm</li> </ul> </li> </ul>
Suitable for	• 10mm and 12mm glass thickness
Material finish	<ul style="list-style-type: none"> <li>• polished or satin chrome</li> <li>• special finishes on request, lead time applies</li> </ul>

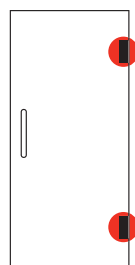
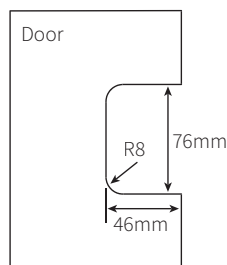
HD.ES2.90



HD.ES2.90

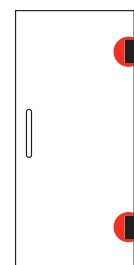
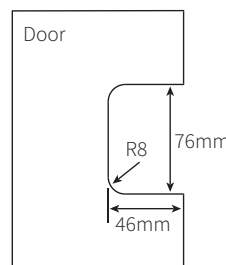
GLASS CUT OUT DETAIL

INSITU APPLICATION



GLASS CUT OUT DETAIL

INSITU APPLICATION



**ELITE GLASS SOLUTIONS**

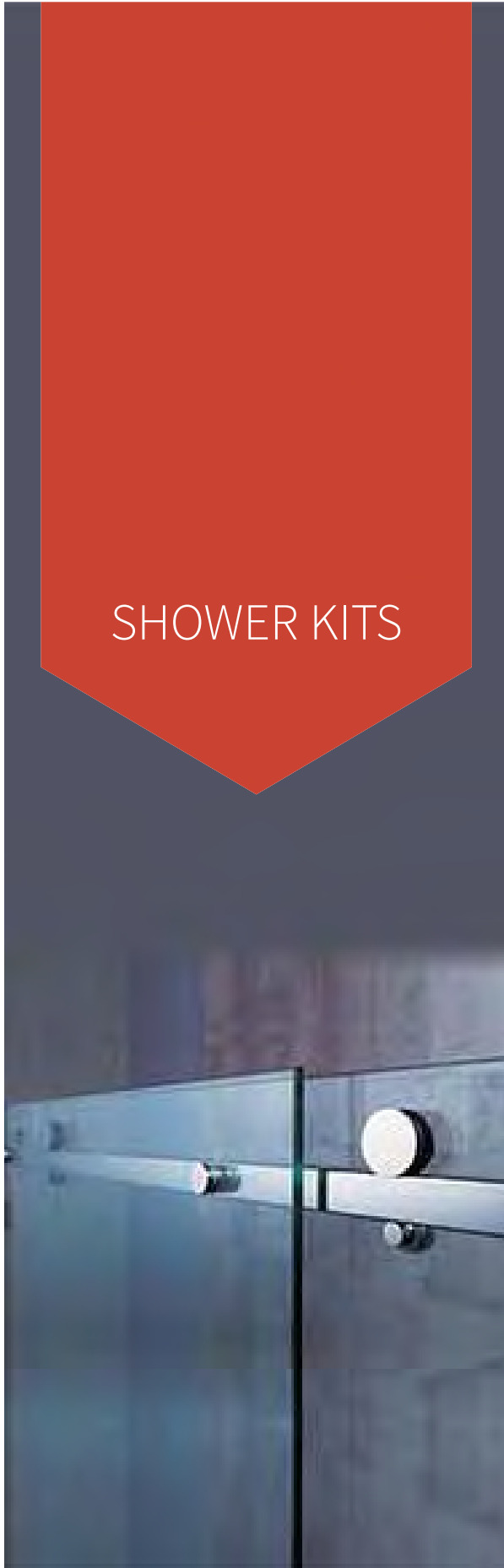
**HEAD OFFICE**  
114 Endeavour Way  
Sunshine West  
VIC 3020 Australia

**ADELAIDE OFFICE**  
7 Manfull Street  
Melrose Park  
SA 5039 Australia

1300 4 ELITE | 03 9314 6105  
sales@eliteglassolutions.com.au  
www.eliteglassolutions.com.au



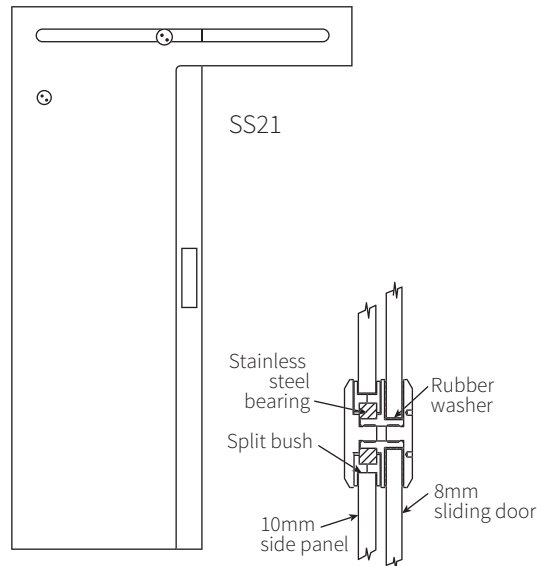
SHOWER KITS



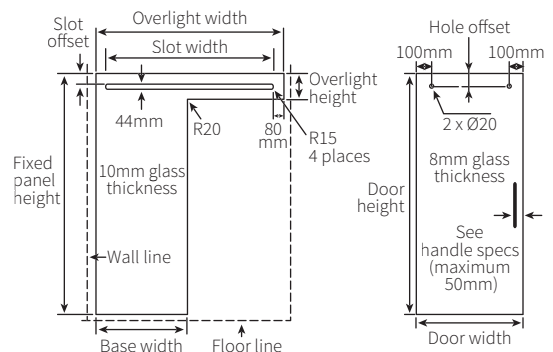
EUROGLIDE ROLLERS

Item number	SS21
Description	<ul style="list-style-type: none"> <li>• Euroglide rollers</li> <li>• 50mm stainless steel discs with stainless steel bearings and black acetyl bush (two required per door)</li> <li>• 6.5mm gap required between door and fixed panel</li> <li>• glass detail and installation drawings supplied on request</li> </ul>
Suitable for	<ul style="list-style-type: none"> <li>• 8mm glass door and 10mm glass side panel featuring glass cut out, as supplied by Elite Glass Solutions</li> </ul>
Material finish	<ul style="list-style-type: none"> <li>• polished or satin stainless steel</li> </ul>

SS21



GLASS PREPARATION



ELITE GLASS SOLUTIONS

**HEAD OFFICE**  
114 Endeavour Way  
Sunshine West  
VIC 3020 Australia

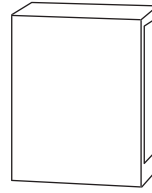
**ADELAIDE OFFICE**  
7 Manfull Street  
Melrose Park  
SA 5039 Australia

1300 4 ELITE | 03 9314 6105  
sales@eliteglassolutions.com.au  
www.eliteglassolutions.com.au

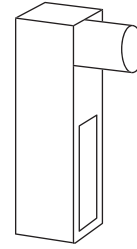
ELITE SLIDER SLIDING SYSTEM

F005/6/7/  
8/9/10

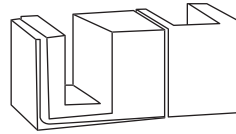
Item number	<ul style="list-style-type: none"> <li>• F001 - Elite slider inline</li> <li>• F002 - Elite slider square</li> <li>• F003 - Elite slider trio</li> <li>• F004 - Elite slider bracket</li> <li>• F005 - Elite slider door stop</li> <li>• F006 - Elite slider floor guide</li> <li>• F007 - Elite slider roller</li> <li>• F008 - Elite slider fixing</li> <li>• F009 - Elite slider bracket</li> <li>• F010 - Elite slider top track 1.65 meters and 2.4 meter lengths</li> </ul>
Description	<ul style="list-style-type: none"> <li>• Elite slider - sliding system is available in three configurations (inline, square and trio)</li> <li>• supplied in a kit, with a simple bolt together construction for quick and simple installation</li> <li>• rails can be cut to size and put together with bolts to the screen</li> <li>• no customisation required - the elite slider is adaptable to slide from either left or right</li> <li>• maximum door weight 45kg (8mm or 10mm glass thickness)</li> </ul>
Suitable for	<ul style="list-style-type: none"> <li>• a system to suit numerous bathroom configurations, even the most confined</li> <li>• 8mm and 10mm glass thickness</li> </ul>
Material finish	<ul style="list-style-type: none"> <li>• polished or satin stainless steel</li> </ul>



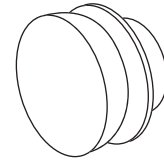
F004  
Bracket



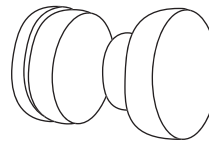
F005  
Door stop



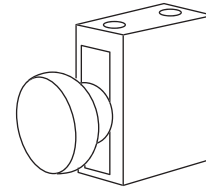
F006  
Floor guide



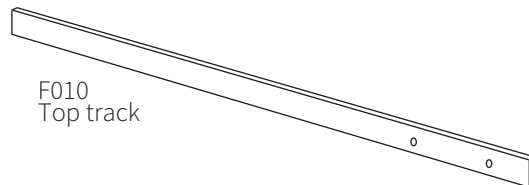
F007  
Roller



F008  
Fixing



F009  
Bracket



F010  
Top track



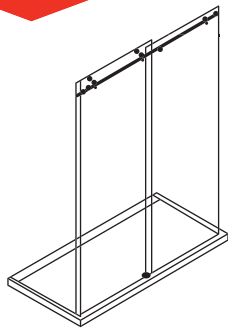
ELITE GLASS  
SOLUTIONS

HEAD OFFICE  
114 Endeavour Way  
Sunshine West  
VIC 3020 Australia

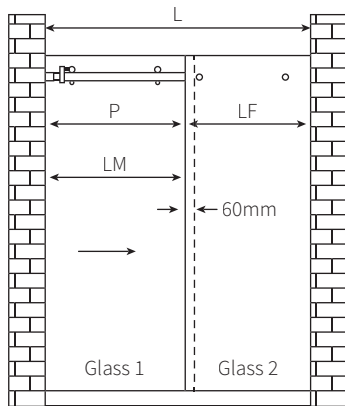
ADELAIDE OFFICE  
7 Manfull Street  
Melrose Park  
SA 5039 Australia

1300 4 ELITE | 03 9314 6105  
sales@eliteglassolutions.com.au  
www.eliteglassolutions.com.au

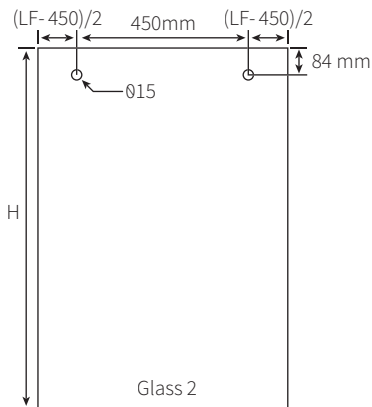
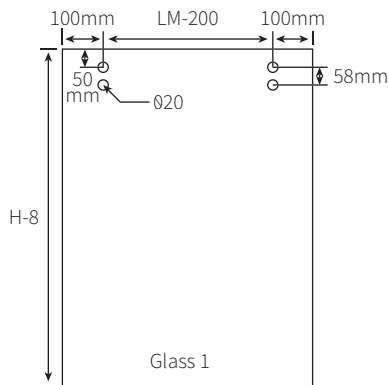
F001



F001 - Elite slider inline



$L = 1,150\text{mm to }1,650\text{mm}$     $P = L/2$     $LM = P + 60\text{mm}$     $LF = L - P$



INSTALLATION GUIDE F001

1. Install fixed panel using your preferred method (brackets, channel, etc.).
2. Install the centre of the mounting blocks from the ST01 wall brackets 12mm inside the fixed panel and inline with the centre of the holes on the fixed panel.
3. Cut the rail to length allowing clearance either end for the mounting blocks inside the ST01 wall brackets.
4. Slide 2 x ST02 door stops onto the rail, one at either end, followed by the ST01 wall bracket sleeves.
5. Install the rail onto the fixed panel and wall using the 2 x ST05 button fixings (remove extra nylon washer for 10mm glass) and slide the ST01 wall bracket sleeves over the mounting blocks and tighten grub screws.
6. Install the ST04 rollers to the door and hang door on the rail.
7. Install the ST04 guides to the door and adjust in conjunction with the rollers.
8. Slide the ST02 door stops into position and tighten grub screws.
9. Install ST03 floor guide onto bottom of fixed panel and under door.



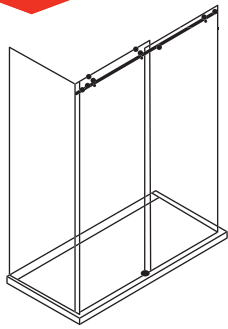
**ELITE GLASS SOLUTIONS**

**HEAD OFFICE**  
114 Endeavour Way  
Sunshine West  
VIC 3020 Australia

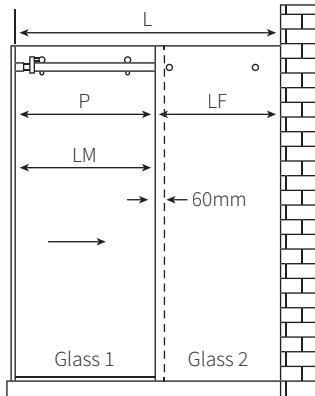
**ADELAIDE OFFICE**  
7 Manfull Street  
Melrose Park  
SA 5039 Australia

1300 4 ELITE | 03 9314 6105  
sales@eliteglassolutions.com.au  
www.eliteglassolutions.com.au

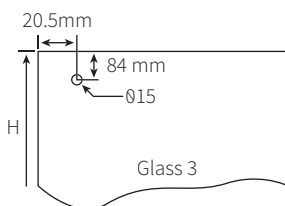
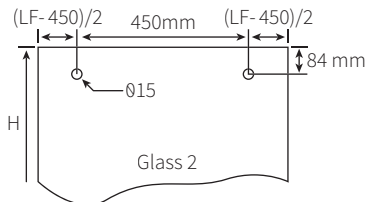
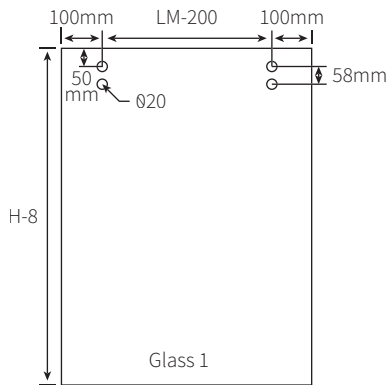
F002



F002 - Elite slider square



$L = 1,150\text{mm to }1,650\text{mm}$     $P = L/2$     $LM = P + 60\text{mm}$     $LF = L - P$



INSTALLATION GUIDE F002

1. Install fixed and side panel using your preferred method (brackets, channel, etc.).
2. Install the mounting block from the ST07 bracket on the side panel.
3. Install the centre of the mounting block from the ST01 wall bracket 12mm inside the fixed panel and inline with the centre of the holes on the fixed panel.
4. Cut the rail to length allowing clearance either end for the mounting blocks inside the ST01 wall bracket and ST07 side panel bracket.
5. Slide 2 x ST02 door stops onto the rail, one at either end, followed by the ST01 wall bracket sleeve and ST07 side panel bracket sleeve.
6. Install the rail onto the fixed panel using the 2 x ST05 button fixings (remove extra nylon washer for 10mm glass). Slide the ST01 wall bracket sleeve and ST07 side panel bracket sleeve over the mounting blocks and tighten grub screws.
7. Install the ST04 rollers to the door and hang door on the rail.
8. Install the ST04 guides to the door and adjust in conjunction with the rollers.
9. Slide the ST02 door stops into position and tighten grub screws.
10. Install ST03 floor guide onto bottom of fixed panel and under door.



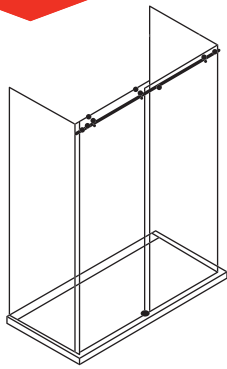
**ELITE GLASS SOLUTIONS**

**HEAD OFFICE**  
114 Endeavour Way  
Sunshine West  
VIC 3020 Australia

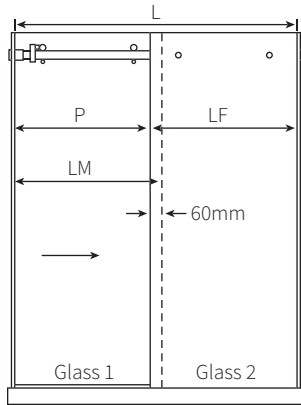
**ADELAIDE OFFICE**  
7 Manfull Street  
Melrose Park  
SA 5039 Australia

1300 4 ELITE | 03 9314 6105  
sales@eliteglassolutions.com.au  
www.eliteglassolutions.com.au

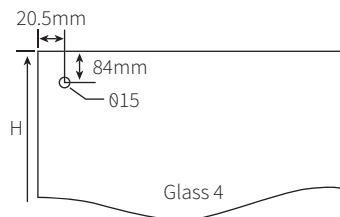
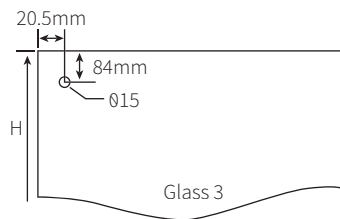
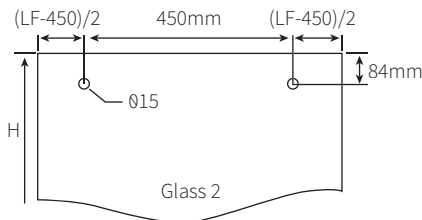
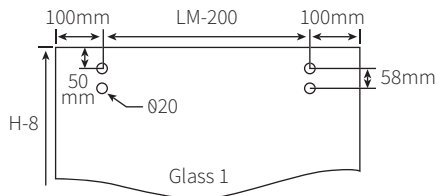
F003



F003 - Elite slider trio



$L = 1,150\text{mm to } 1,650\text{mm}$     $P = L/2$     $LM = P + 60\text{mm}$     $LF = L - P$



INSTALLATION GUIDE F003

1. Install fixed and side panels using your preferred method (brackets, channel, etc.).
2. Install the mounting blocks from the ST07 bracket on the side panels.
3. Cut the rail to length allowing clearance either end for the mounting blocks inside the ST07 side panel brackets.
4. Slide 2 x ST02 door stops onto the rail, one at either end, followed by the ST07 side panel bracket sleeves.
5. Install the rail onto the fixed panel using the 2 x ST05 button fixings (remove extra nylon washer for 10mm glass). Slide the ST07 side panel bracket sleeves over the mounting blocks and tighten the grubscrews.
6. Install the ST04 rollers to the door and hang door on the rail.
7. Install the ST04 guides to the door and adjust in conjunction with the rollers.
8. Slide the ST02 door stops into position and tighten grub screws.
9. Install ST03 floor guide onto bottom of fixed panel and under door.



ELITE GLASS SOLUTIONS

**HEAD OFFICE**  
114 Endeavour Way  
Sunshine West  
VIC 3020 Australia

**ADELAIDE OFFICE**  
7 Manfull Street  
Melrose Park  
SA 5039 Australia

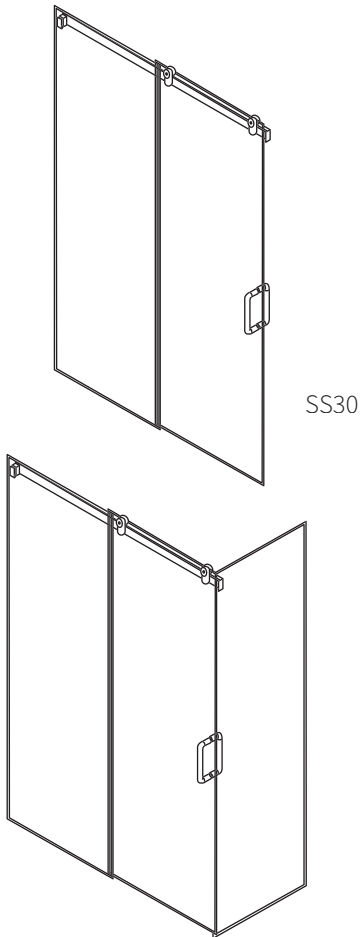
1300 4 ELITE | 03 9314 6105  
sales@eliteglassolutions.com.au  
www.eliteglassolutions.com.au



SLIDING SHOWER KIT

Item number	SS30
Description	<ul style="list-style-type: none"> <li>• sliding shower kit</li> <li>• manufactured in stainless steel</li> <li>• can be fixed to glass or solid walls</li> <li>• maximum hanger load 45kg per door</li> <li>• rail is a rectangular hollow section, height 50mm and thickness 10mm</li> <li>• custom kits available upon request</li> </ul>
Suitable for	<ul style="list-style-type: none"> <li>• 10mm toughened glass thickness</li> <li>• both inline and square showers</li> </ul>
Material finish	<ul style="list-style-type: none"> <li>• polished or satin stainless steel</li> </ul>

SS30



**ELITE GLASS SOLUTIONS**

**HEAD OFFICE**  
114 Endeavour Way  
Sunshine West  
VIC 3020 Australia

**ADELAIDE OFFICE**  
7 Manfull Street  
Melrose Park  
SA 5039 Australia

1300 4 ELITE | 03 9314 6105  
sales@eliteglassolutions.com.au  
www.eliteglassolutions.com.au

SLIDING SHOWER KIT A

Item number	SS30 - KIT A
Description	<ul style="list-style-type: none"> <li>• sliding shower kit A</li> <li>• door opening 600mm</li> <li>• rail length 1.35 meters</li> </ul>
Kit includes	<ul style="list-style-type: none"> <li>• SS30.H - 2 x hangers</li> <li>• SS30.WM - 1 x glass/wall mount</li> <li>• SS30.SM - 1 x side panel mount/stop</li> <li>• SS30.EP - 1 x rail end plug</li> <li>• SSG10 - 1 x floor guide</li> <li>• SS30RAIL - 1 x rail</li> <li>• DS4 - 1 x door seal (3 meters)</li> </ul>

SS30  
KIT A

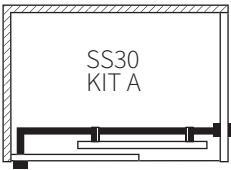
STANDARD SHOWER CONFIGURATIONS



Inline (wall-to-side panel)

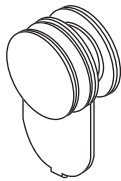


Square (wall-to-side panel)

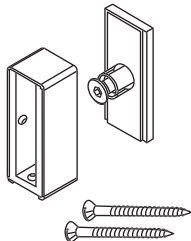


Square (return-to-side panel)

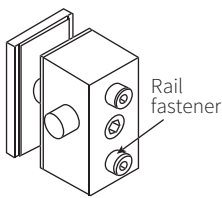
KIT A COMPONENTS



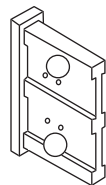
SS30H  
2 x hangers



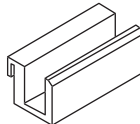
SS30WM  
1 x glass/wall mount



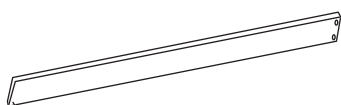
SS30SM  
1 x side panel mount/stop



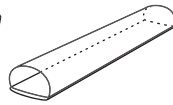
SS30EP  
1 x rail end plug



SSG10  
1 x floor guide



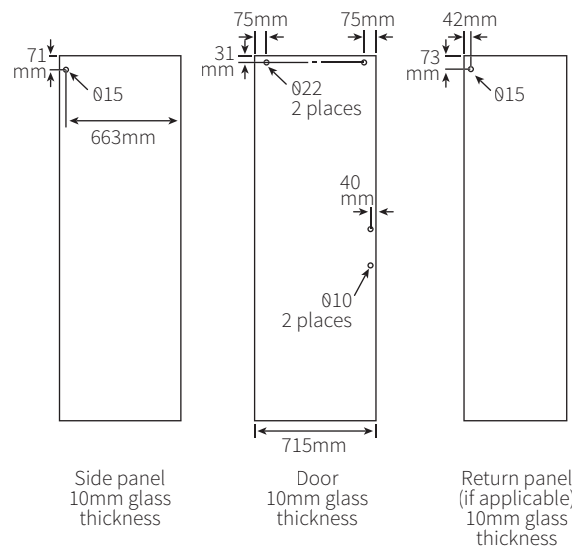
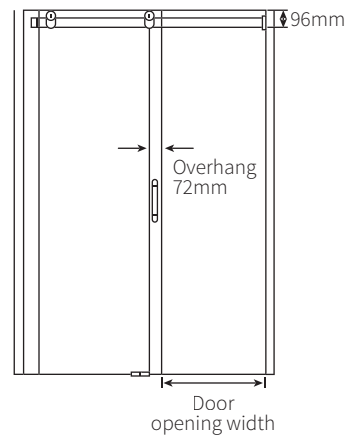
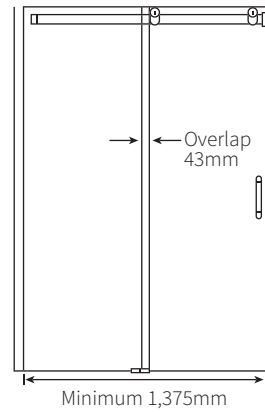
SS30RAIL  
1 x rail



DS4  
1 x door seal (3m length)

SS30  
KIT A

GLASS CUTOUT DETAIL KIT A



ELITE GLASS SOLUTIONS

HEAD OFFICE  
114 Endeavour Way  
Sunshine West  
VIC 3020 Australia

ADELAIDE OFFICE  
7 Manfull Street  
Melrose Park  
SA 5039 Australia

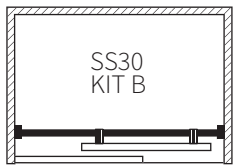
1300 4 ELITE | 03 9314 6105  
sales@eliteglassolutions.com.au  
www.eliteglassolutions.com.au

SLIDING SHOWER KIT B

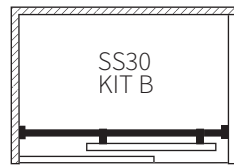
Item number	SS30 - KIT B
Description	<ul style="list-style-type: none"> <li>sliding shower kit B</li> <li>specify tight opening size upon ordering (maximum opening width 1.4 meters)</li> </ul>
Kit includes	<ul style="list-style-type: none"> <li>SS30.H - 2 x hangers</li> <li>SS30.WM - 2 x glass/wall mounts</li> <li>SS30.AS - 1 x adjustable stop</li> <li>SSG10 - 1 x floor guide</li> <li>SS30RAIL - 1 x rail</li> <li>DS4 - 1 x door seal (3 meters)</li> </ul>

SS30  
KIT B

STANDARD SHOWER CONFIGURATIONS

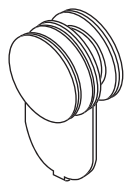


Inline (wall-to-wall)

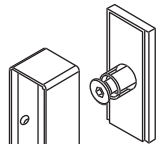


Square (wall-to-return panel)

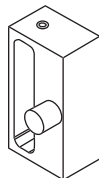
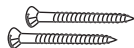
KIT B COMPONENTS



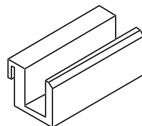
SS30H  
2 x hangers



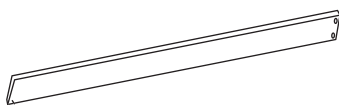
SS30WM  
2 x glass/wall mounts



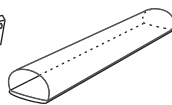
SS30AS  
1 x adjustable stop



SSG10  
1 x floor guide



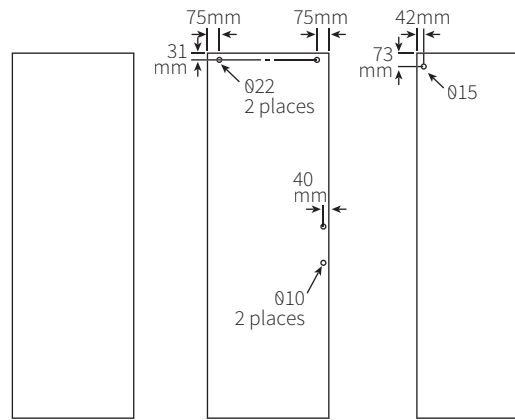
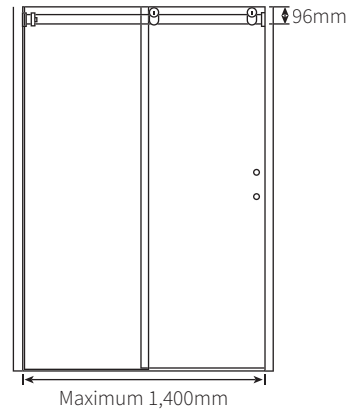
SS30RAIL  
1 x rail



DS4  
1 x door seal (3m length)

SS30  
KIT B

GLASS CUTOUT DETAIL KIT B



Side panel  
10mm glass  
thickness

Door  
10mm glass  
thickness

Return panel  
(if applicable)  
10mm glass  
thickness



ELITE GLASS  
SOLUTIONS

HEAD OFFICE  
114 Endeavour Way  
Sunshine West  
VIC 3020 Australia

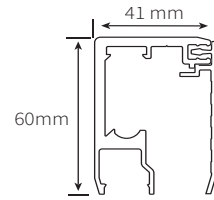
ADELAIDE OFFICE  
7 Manfull Street  
Melrose Park  
SA 5039 Australia

1300 4 ELITE | 03 9314 6105  
sales@eliteglassolutions.com.au  
www.eliteglassolutions.com.au

TENZA ULTRA SPAN SLIDING DOOR SYSTEM

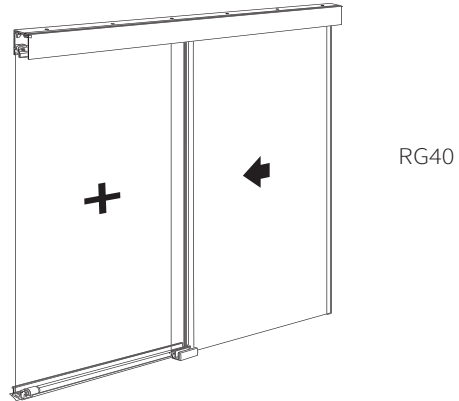
RG40

Item number	RG40
Description	<ul style="list-style-type: none"> <li>• Tenza sliding door system</li> <li>• sliding door track is mounted between two walls</li> <li>• track is unsupported, ceiling fixings are not required</li> <li>• maximum span of 2 meters from wall to wall</li> <li>• side panels are easily glazed into the top track and floor channel</li> <li>• floor guide and floor stop is inserted into the side panel floor channel, screwing through the floor is not required</li> <li>• supplied as a complete set, each Tenza track pack contains:                             <ul style="list-style-type: none"> <li>– 2 meter track</li> <li>– 2 meter track cover</li> <li>– 2 meter floor channel</li> <li>– 2 meter top track in fill</li> <li>– 2 x wheel assemblies</li> <li>– 2 x top track door stops</li> <li>– 1 x floor channel door guide</li> <li>– 1 x floor channel door stop</li> <li>– 3 x 2 meter clips on door bump seals and</li> <li>– 2 x track wall mounting brackets</li> </ul> </li> <li>• Elite Glass offer a specialist Tenza which spans up to 3 meters (lead time applies)</li> </ul>
Suitable for	<ul style="list-style-type: none"> <li>• 8mm and 10mm glass thickness</li> <li>• any door width of a weight no greater than 40kg</li> <li>• shower enclosures</li> <li>• interior home and office doors</li> </ul>
Material finish	• satin anodised aluminium

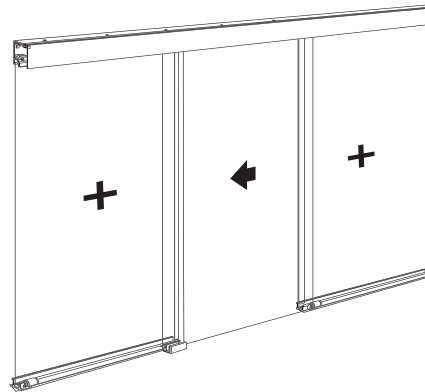


COMMON CONFIGURATIONS

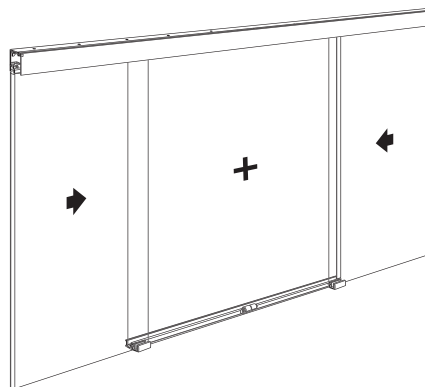
Side panel with door (standard TENZA track pack)



Double side panel with door (additional bottom track stop required)



Centre panel with double do (additional fittings required)



ELITE GLASS SOLUTIONS

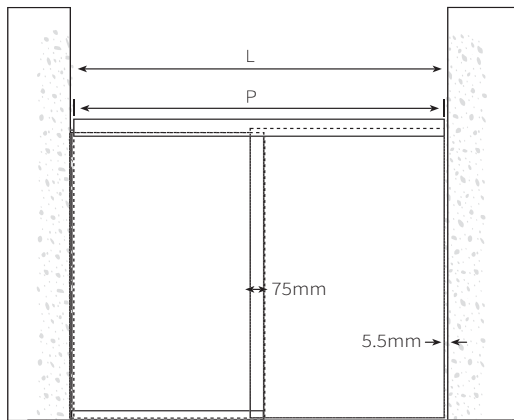
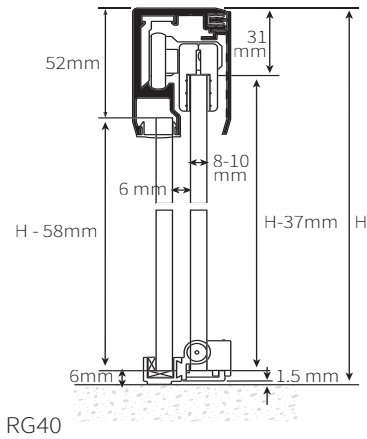
**HEAD OFFICE**  
114 Endeavour Way  
Sunshine West  
VIC 3020 Australia

**ADELAIDE OFFICE**  
7 Manfull Street  
Melrose Park  
SA 5039 Australia

1300 4 ELITE | 03 9314 6105  
sales@eliteglassolutions.com.au  
www.eliteglassolutions.com.au

RG40

GLASS DETAIL



$P = L - 5\text{mm}$  (maximum 2 meters)



**ELITE GLASS SOLUTIONS**

**HEAD OFFICE**  
114 Endeavour Way  
Sunshine West  
VIC 3020 Australia

**ADELAIDE OFFICE**  
7 Manfull Street  
Melrose Park  
SA 5039 Australia

1300 4 ELITE | 03 9314 6105  
sales@eliteglassolutions.com.au  
www.eliteglassolutions.com.au

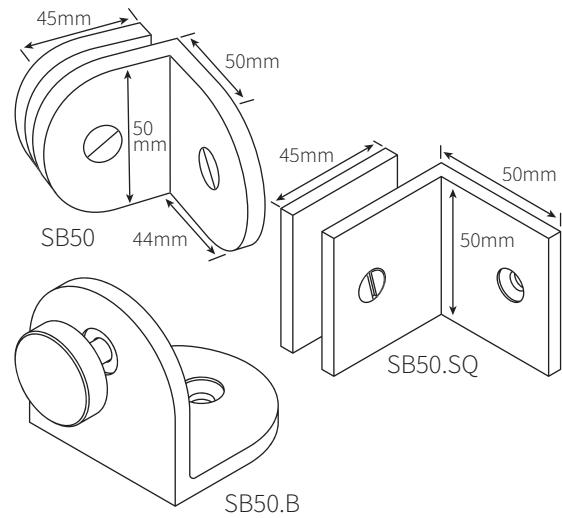


SHOWER  
BRACKETS

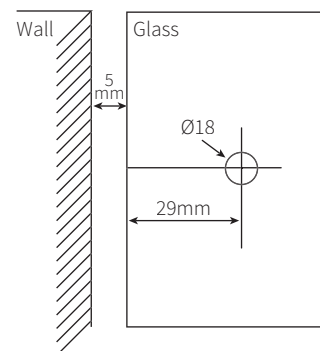
SHOWER BRACKET GLASS TO WALL FIXED

Item number	<ul style="list-style-type: none"> <li>• SB50 - round edge</li> <li>• SB50.SQ - square edge</li> <li>• SB50.B - with button</li> </ul>
Description	<ul style="list-style-type: none"> <li>• shower bracket wall fix</li> <li>• manufactured in solid brass</li> <li>• 90° glass panel to wall fixing</li> <li>• stud fixing recommended for all glass to wall applications</li> </ul>
Suitable for	<ul style="list-style-type: none"> <li>• 10mm glass thickness</li> <li>• adaptable for 8mm and 12mm glass thickness on request</li> </ul>
Material finish	<ul style="list-style-type: none"> <li>• polished or satin chrome</li> <li>• ORB</li> <li>• special finishes on request, lead time applies</li> </ul>
Order	<ul style="list-style-type: none"> <li>• specify glass thickness</li> <li>• material finish</li> <li>• bracket type (round, square, button)</li> </ul>

SB50/SQ/B



GLASS CUT OUT DETAIL



ELITE GLASS  
SOLUTIONS

HEAD OFFICE  
114 Endeavour Way  
Sunshine West  
VIC 3020 Australia

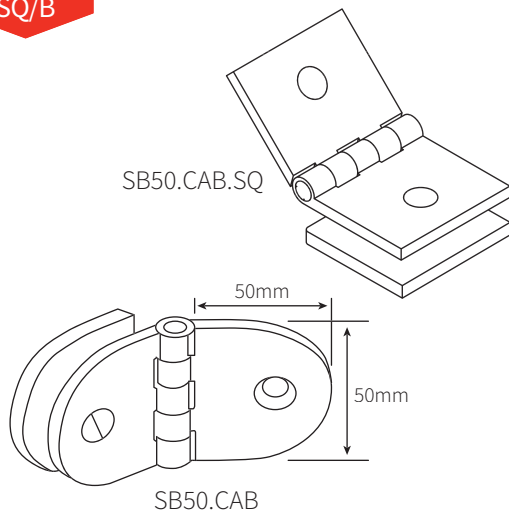
ADELAIDE OFFICE  
7 Manfull Street  
Melrose Park  
SA 5039 Australia

1300 4 ELITE | 03 9314 6105  
sales@eliteglassolutions.com.au  
www.eliteglassolutions.com.au

**SHOWER BRACKET ADJUSTABLE WALL FIX**

Item number	<ul style="list-style-type: none"> <li>SB50.CAB - round edge</li> <li>SB50.CAB.SQ - square edge</li> <li>SB50.CAB.B - with button</li> </ul>
Description	<ul style="list-style-type: none"> <li>shower bracket adjustable wall fix</li> <li>manufactured in solid brass</li> <li>240° glass panel to wall fixing</li> <li>adaptable to suit any non-square walls by loosening allen key screw</li> </ul>
Suitable for	<ul style="list-style-type: none"> <li>10mm glass thickness</li> <li>adaptable for 6mm, 8mm and 12mm glass thickness on request</li> </ul>
Material finish	<ul style="list-style-type: none"> <li>polished or satin chrome</li> <li>special finishes on request, lead time applies</li> </ul>
Order	<ul style="list-style-type: none"> <li>specify glass thickness</li> <li>material finish</li> <li>bracket type (round, square, button)</li> </ul>

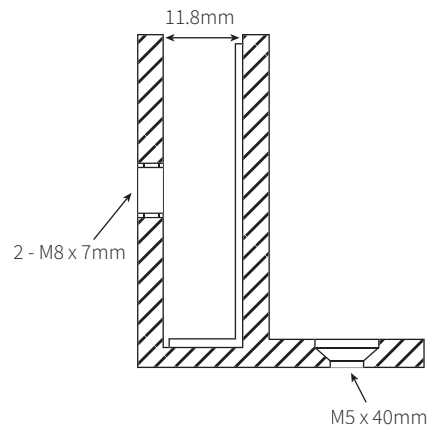
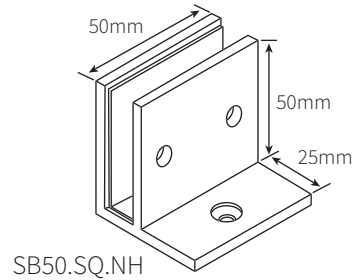
SB50.CAB/  
SQ/B



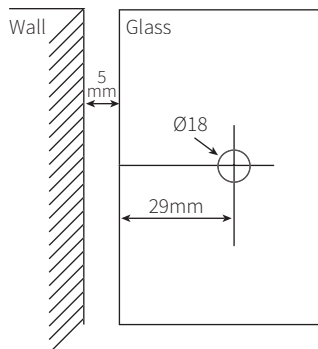
**SHOWER BRACKET WITH HORIZONTAL LEG**

Item number	SB50.SQ.NH
Description	<ul style="list-style-type: none"> <li>shower bracket with horizontal leg</li> </ul>
Suitable for	<ul style="list-style-type: none"> <li>when fixing point is away from edge of tile and/or wall</li> </ul>
Material finish	<ul style="list-style-type: none"> <li>polished or satin chrome</li> <li>special finishes on request, lead time applies</li> </ul>

SB50.  
SQ.NH



**GLASS CUT OUT DETAIL**



**ELITE GLASS SOLUTIONS**

**HEAD OFFICE**  
114 Endeavour Way  
Sunshine West  
VIC 3020 Australia

**ADELAIDE OFFICE**  
7 Manfull Street  
Melrose Park  
SA 5039 Australia

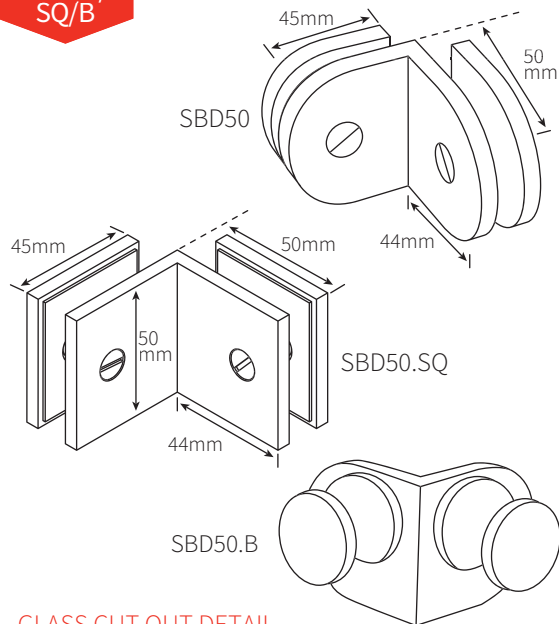
1300 4 ELITE | 03 9314 6105  
sales@eliteglassolutions.com.au  
www.eliteglassolutions.com.au



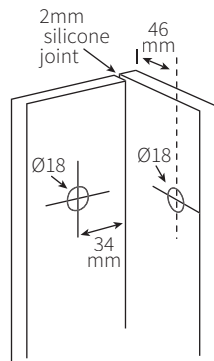
**SHOWER BRACKET GLASS TO GLASS FIXED DOUBLE SIDED**

<b>Item number</b>	<ul style="list-style-type: none"> <li>• SBD50 - round edge</li> <li>• SBD50.SQ - square edge</li> <li>• SBD50.B - with button</li> </ul>
<b>Description</b>	<ul style="list-style-type: none"> <li>• shower bracket glass to glass fixed double sided</li> <li>• manufactured in solid brass</li> <li>• 90° glass panel to glass panel fixing</li> </ul>
<b>Suitable for</b>	<ul style="list-style-type: none"> <li>• 10mm glass thickness</li> <li>• adaptable for 6mm, 8mm and 12mm glass thickness on request</li> </ul>
<b>Material finish</b>	<ul style="list-style-type: none"> <li>• polished or satin chrome</li> <li>• ORB</li> <li>• special finishes on request, lead time applies</li> </ul>
<b>Order</b>	<ul style="list-style-type: none"> <li>• specify glass thickness</li> <li>• material finish</li> <li>• bracket type (round, square, button)</li> </ul>

SBD50/  
SQ/B



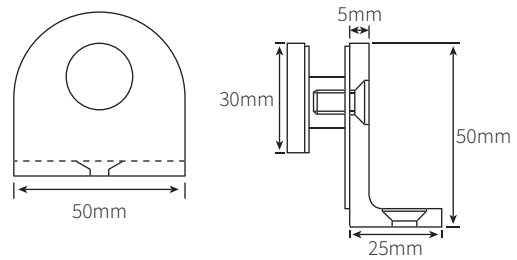
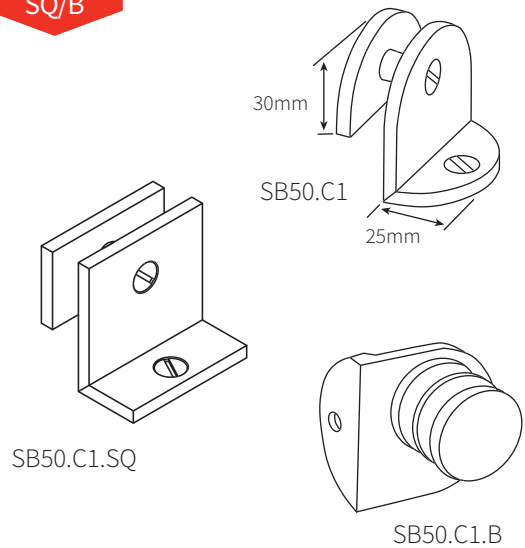
**GLASS CUT OUT DETAIL**



**SHOWER BRACKET GLASS TO WALL FIXED CUSTOM 1**

<b>Item number</b>	<ul style="list-style-type: none"> <li>• SB50.C1 - round edge</li> <li>• SB50.C1.SQ - square edge</li> <li>• SB50.C1.B - with button</li> </ul>
<b>Description</b>	<ul style="list-style-type: none"> <li>• shower bracket glass to wall fixed custom 1</li> <li>• manufactured in solid brass</li> <li>• provides mechanical fixing of glass panel to wall at 90° to floor or wall</li> </ul>
<b>Suitable for</b>	<ul style="list-style-type: none"> <li>• 10mm glass thickness</li> <li>• adaptable for 6mm, 8mm and 12mm glass thickness on request</li> <li>• when fixing area is restricted or where the bracket fixing point is lower than the glass edge</li> </ul>
<b>Material finish</b>	<ul style="list-style-type: none"> <li>• polished or satin chrome</li> <li>• special finishes on request, lead time applies</li> </ul>
<b>Order</b>	<ul style="list-style-type: none"> <li>• specify glass thickness</li> <li>• material finish</li> <li>• bracket type (round, square, button)</li> </ul>

SB50.C1/  
SQ/B



**ELITE GLASS SOLUTIONS**

**HEAD OFFICE**  
114 Endeavour Way  
Sunshine West  
VIC 3020 Australia

**ADELAIDE OFFICE**  
7 Manfull Street  
Melrose Park  
SA 5039 Australia

1300 4 ELITE | 03 9314 6105  
sales@eliteglassolutions.com.au  
www.eliteglassolutions.com.au



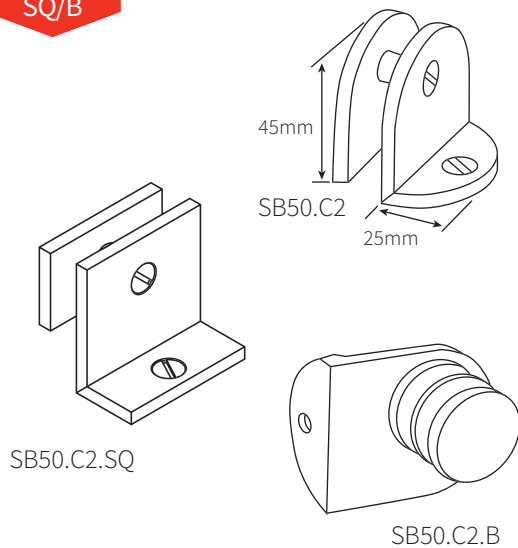
**SHOWER BRACKET GLASS TO WALL FIXED CUSTOM 2**

<b>Item number</b>	<ul style="list-style-type: none"> <li>• SB50.C2 - round edge</li> <li>• SB50.C2.SQ - square edge</li> <li>• SB50.C2.B - with button</li> </ul>
<b>Description</b>	<ul style="list-style-type: none"> <li>• shower bracket glass to wall fixed custom 2</li> <li>• manufactured in solid brass</li> <li>• provides mechanical fixing of glass panel to wall at 90° to floor or wall</li> </ul>
<b>Suitable for</b>	<ul style="list-style-type: none"> <li>• 10mm glass thickness</li> <li>• adaptable for 6mm, 8mm and 12mm glass thickness on request</li> <li>• when fixing area is restricted</li> </ul>
<b>Material finish</b>	<ul style="list-style-type: none"> <li>• polished or satin chrome</li> <li>• special finishes on request, lead time applies</li> </ul>
<b>Order</b>	<ul style="list-style-type: none"> <li>• specify glass thickness</li> <li>• material finish</li> <li>• bracket type (round, square, button)</li> </ul>

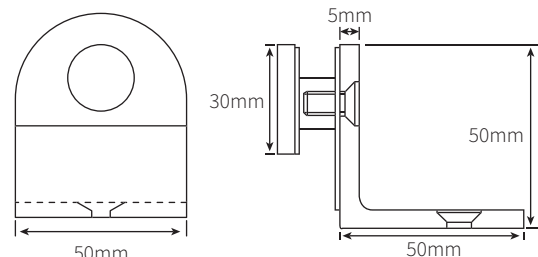
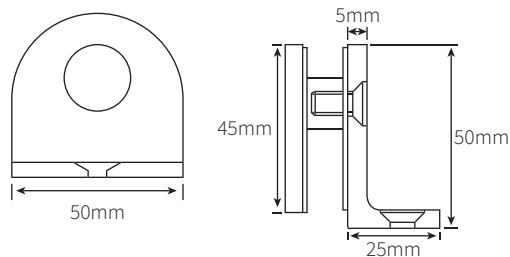
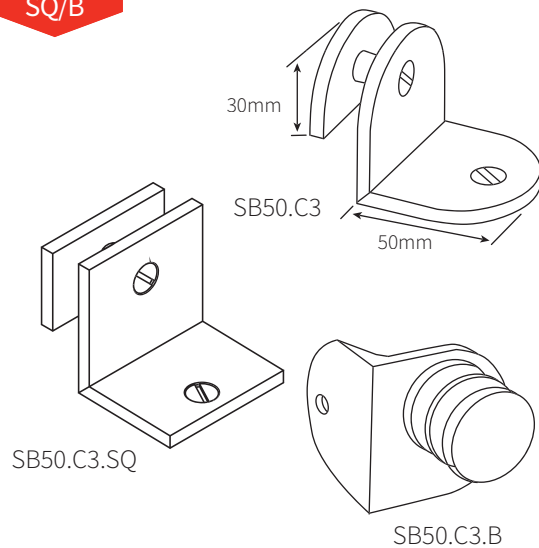
**SHOWER BRACKET GLASS TO WALL FIXED CUSTOM 3**

<b>Item number</b>	<ul style="list-style-type: none"> <li>• SB50.C3 - round edge</li> <li>• SB50.C3.SQ - square edge</li> <li>• SB50.C3.B - with button</li> </ul>
<b>Description</b>	<ul style="list-style-type: none"> <li>• shower bracket glass to wall fixed custom 3</li> <li>• manufactured in solid brass</li> <li>• provides mechanical fixing of glass panel to wall at 90° to floor or wall</li> </ul>
<b>Suitable for</b>	<ul style="list-style-type: none"> <li>• 10mm glass thickness</li> <li>• adaptable for 6mm, 8mm and 12mm glass thickness on request</li> <li>• when the bracket fixing point is lower than the glass edge</li> </ul>
<b>Material finish</b>	<ul style="list-style-type: none"> <li>• polished or satin chrome</li> <li>• special finishes on request, lead time applies</li> </ul>
<b>Order</b>	<ul style="list-style-type: none"> <li>• specify glass thickness</li> <li>• material finish</li> <li>• bracket type (round, square, button)</li> </ul>

SB50.C2/  
SQ/B



SB50.C3/  
SQ/B



**ELITE GLASS SOLUTIONS**

**HEAD OFFICE**  
114 Endeavour Way  
Sunshine West  
VIC 3020 Australia

**ADELAIDE OFFICE**  
7 Manfull Street  
Melrose Park  
SA 5039 Australia

1300 4 ELITE | 03 9314 6105  
sales@eliteglassolutions.com.au  
www.eliteglassolutions.com.au

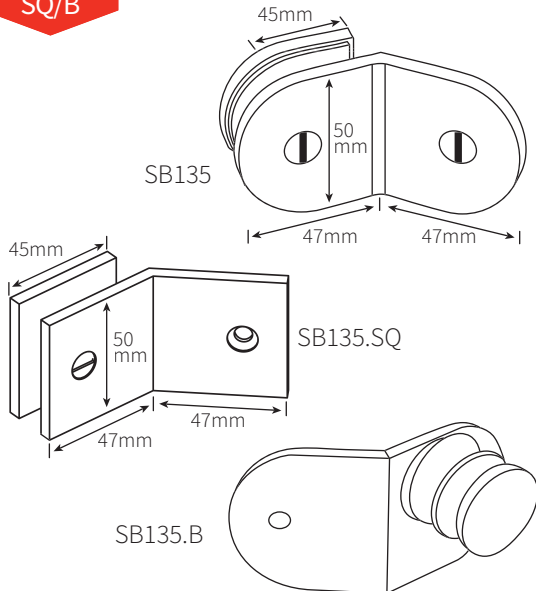
**SHOWER BRACKET 135° GLASS TO WALL FIXED**

Item number	<ul style="list-style-type: none"> <li>• SB135 - round edge</li> <li>• SB135.SQ - square edge</li> <li>• SB135.B - with button</li> </ul>
Description	<ul style="list-style-type: none"> <li>• shower bracket 135° glass to wall fixed</li> <li>• manufactured in solid brass</li> <li>• 135° glass panel to wall fixing</li> </ul>
Suitable for	<ul style="list-style-type: none"> <li>• 10mm glass thickness</li> <li>• adaptable for 6mm, 8mm and 12mm glass thickness on request</li> </ul>
Material finish	<ul style="list-style-type: none"> <li>• polished or satin chrome</li> <li>• special finishes on request, lead time applies</li> </ul>
Order	<ul style="list-style-type: none"> <li>• specify glass thickness</li> <li>• material finish</li> <li>• bracket type (round, square, button)</li> </ul>

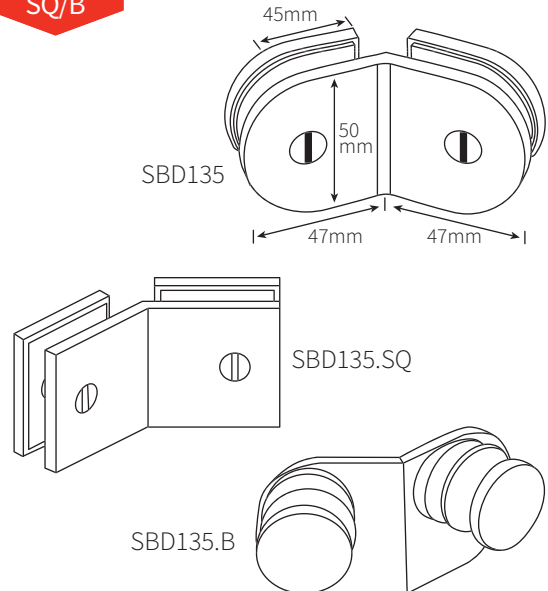
**SHOWER BRACKET 135° GLASS TO GLASS FIXED**

Item number	<ul style="list-style-type: none"> <li>• SBD135 - round edge</li> <li>• SBD135.SQ - square edge</li> <li>• SBD135.B - with button</li> </ul>
Description	<ul style="list-style-type: none"> <li>• shower bracket 135° glass to glass fixed</li> <li>• manufactured in solid brass</li> <li>• 135° glass panel to glass panel</li> </ul>
Suitable for	<ul style="list-style-type: none"> <li>• 10mm glass thickness</li> <li>• adaptable for 6mm, 8mm and 12mm glass thickness on request</li> </ul>
Material finish	<ul style="list-style-type: none"> <li>• polished or satin chrome</li> <li>• special finishes on request, lead time applies</li> </ul>
Order	<ul style="list-style-type: none"> <li>• specify glass thickness</li> <li>• material finish</li> <li>• bracket type (round, square, button)</li> </ul>

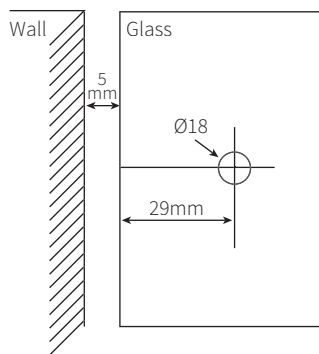
SB135/  
SQ/B



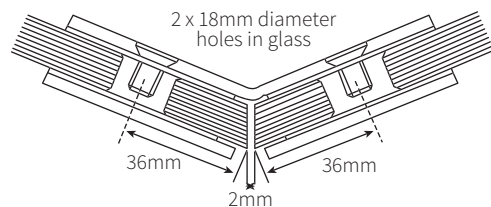
SBD135/  
SQ/B



**GLASS CUT OUT DETAIL**



**GLASS PREPARATION**



**HEAD OFFICE**  
114 Endeavour Way  
Sunshine West  
VIC 3020 Australia

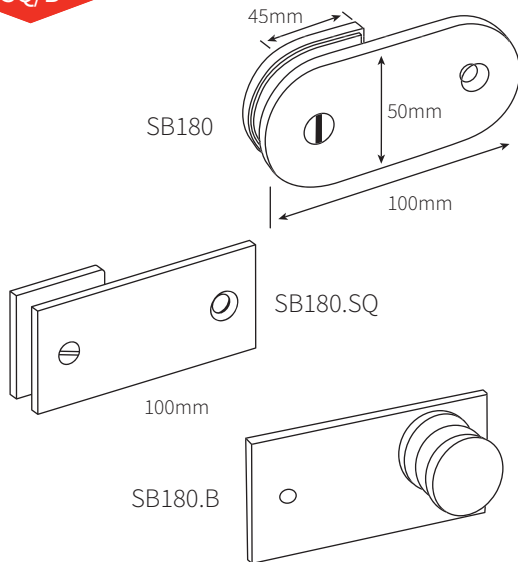
**ADELAIDE OFFICE**  
7 Manfull Street  
Melrose Park  
SA 5039 Australia

1300 4 ELITE | 03 9314 6105  
sales@eliteglassolutions.com.au  
www.eliteglassolutions.com.au

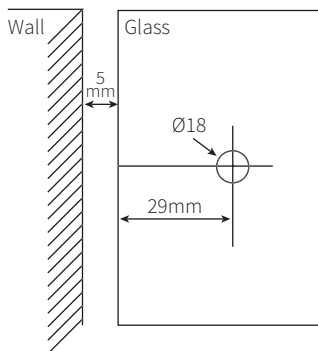
**SHOWER BRACKET 180° GLASS TO WALL  
FLAT FIXED**

<b>Item number</b>	<ul style="list-style-type: none"> <li>• SB180 - round edge</li> <li>• SB180.SQ - square edge</li> <li>• SB180.B - with button</li> </ul>
<b>Description</b>	<ul style="list-style-type: none"> <li>• shower bracket 180° glass to wall flat fixed</li> <li>• manufactured in solid brass</li> <li>• 180° glass panel to wall fixing</li> </ul>
<b>Suitable for</b>	<ul style="list-style-type: none"> <li>• 10mm glass thickness</li> <li>• adaptable for 6mm, 8mm and 12mm glass thickness on request</li> </ul>
<b>Material finish</b>	<ul style="list-style-type: none"> <li>• polished or satin chrome</li> <li>• special finishes on request, lead time applies</li> </ul>
<b>Order</b>	<ul style="list-style-type: none"> <li>• specify glass thickness</li> <li>• material finish</li> <li>• bracket type (round, square, button)</li> </ul>

SB180/  
SQ/B



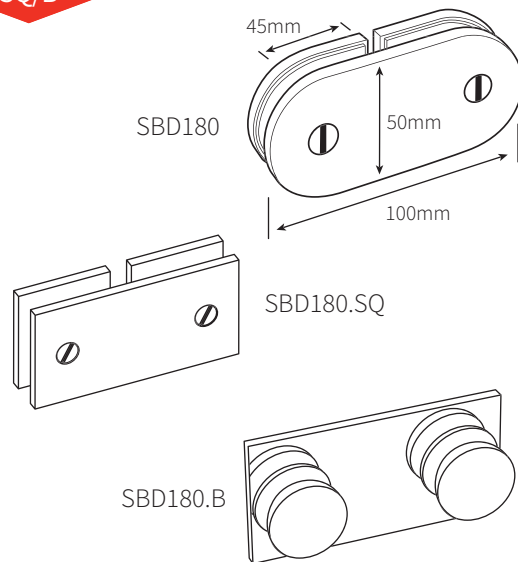
**GLASS CUT OUT DETAIL**



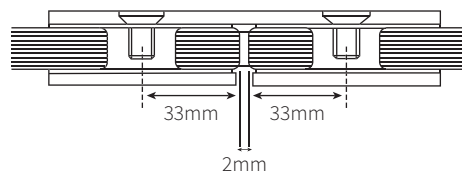
**SHOWER BRACKET 135° GLASS TO GLASS  
DOUBLE SIDED FLAT FIXED**

<b>Item number</b>	<ul style="list-style-type: none"> <li>• SBD180 - round edge</li> <li>• SBD180.SQ - square edge</li> <li>• SBD180.B - with button</li> </ul>
<b>Description</b>	<ul style="list-style-type: none"> <li>• shower bracket 180° glass to glass double sided flat fixed</li> <li>• manufactured in solid brass</li> <li>• fixing of two glass panels at 180°</li> </ul>
<b>Suitable for</b>	<ul style="list-style-type: none"> <li>• 10mm glass thickness</li> <li>• adaptable for 6mm, 8mm and 12mm glass thickness on request</li> </ul>
<b>Material finish</b>	<ul style="list-style-type: none"> <li>• polished or satin chrome</li> <li>• special finishes on request, lead time applies</li> </ul>
<b>Order</b>	<ul style="list-style-type: none"> <li>• specify glass thickness</li> <li>• material finish</li> <li>• bracket type (round, square, button)</li> </ul>

SBD180/  
SQ/B



**GLASS PREPARATION**



**ELITE GLASS  
SOLUTIONS**

**HEAD OFFICE**  
114 Endeavour Way  
Sunshine West  
VIC 3020 Australia

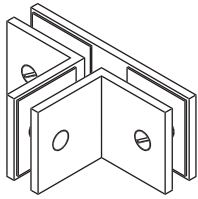
**ADELAIDE OFFICE**  
7 Manfull Street  
Melrose Park  
SA 5039 Australia

1300 4 ELITE | 03 9314 6105  
sales@eliteglassolutions.com.au  
www.eliteglassolutions.com.au

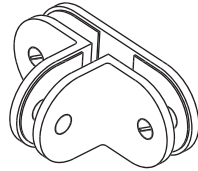
SHOWER BRACKET 180°/ 90° GLASS TO GLASS

Item number	<ul style="list-style-type: none"> <li>• SBT180 - round edge</li> <li>• SBT180.SQ - square edge</li> </ul>
Description	<ul style="list-style-type: none"> <li>• shower bracket 180°/ 90° glass to glass</li> </ul>
Suitable for	<ul style="list-style-type: none"> <li>• 10mm and 12mm glass thickness</li> </ul>
Material finish	<ul style="list-style-type: none"> <li>• polished or satin chrome</li> </ul>
Order	<ul style="list-style-type: none"> <li>• bracket type (round, square)</li> </ul>

SBT180/SQ

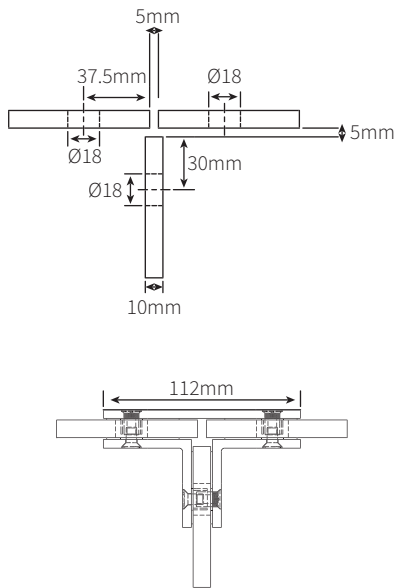


SBT180.SQ



SBT180

GLASS PREPARATION



SHOWER  
GLASS SHELF  
BRACKETS



ELITE GLASS  
SOLUTIONS

**HEAD OFFICE**  
114 Endeavour Way  
Sunshine West  
VIC 3020 Australia

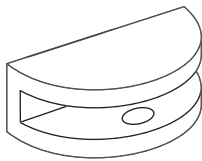
**ADELAIDE OFFICE**  
7 Manfull Street  
Melrose Park  
SA 5039 Australia

☎ 1300 4 ELITE | 03 9314 6105  
✉ sales@eliteglassolutions.com.au  
🌐 www.eliteglassolutions.com.au

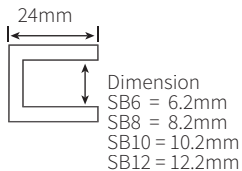
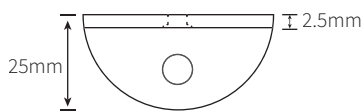
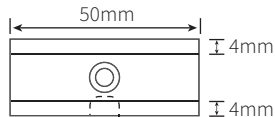
GLASS SHELF BRACKET ROUND EDGE

Item number	<ul style="list-style-type: none"> <li>• SB6 - suits 6mm glass thickness</li> <li>• SB8 - suits 8mm glass thickness</li> <li>• SB10 - suits 10mm glass thickness</li> <li>• SB12 - suits 12mm glass thickness</li> </ul>
Description	<ul style="list-style-type: none"> <li>• glass shelf bracket round edge</li> <li>• manufactured in solid brass</li> <li>• provides friction fixing of shelves and panels at 90° to floor and wall</li> <li>• fixing to glass by teflon tipped grub screw</li> <li>• fixing to wall by counter sunk hole through bracket</li> </ul>
Suitable for	• 6mm, 8mm, 10mm and 12mm glass thickness on request
Material finish	<ul style="list-style-type: none"> <li>• polished or satin chrome</li> <li>• ORB (SB6 and SB10 only)</li> <li>• special finishes on request, lead time applies</li> </ul>
Order	• material finish

SB6/8/10  
/12



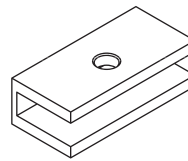
SB6/SB8/SB10/SB12



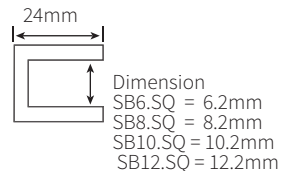
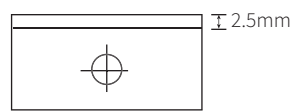
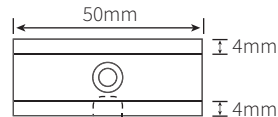
GLASS SHELF BRACKET SQUARE EDGE

Item number	<ul style="list-style-type: none"> <li>• SB6.SQ - suits 6mm glass thickness</li> <li>• SB8.SQ - suits 8mm glass thickness</li> <li>• SB10.SQ - 10mm glass thickness</li> <li>• SB12.SQ - suits 12mm glass thickness</li> </ul>
Description	<ul style="list-style-type: none"> <li>• glass shelf bracket square edge</li> <li>• manufactured in solid brass</li> <li>• provides friction fixing of shelves and panels at 90° to floor and wall</li> <li>• fixing to glass by teflon tipped grub screw</li> <li>• fixing to wall by counter sunk hole through bracket</li> </ul>
Suitable for	• 6mm, 8mm, 10mm and 12mm glass thickness on request
Material finish	<ul style="list-style-type: none"> <li>• polished or satin chrome</li> <li>• ORB (SB6.SQ and SB10.SQ only)</li> <li>• special finishes on request, lead time applies</li> </ul>
Order	• material finish

SB6/8/10  
/12.SQ



SB6.SQ/SB8.SQ/SB10.SQ/SB12.SQ



ELITE GLASS SOLUTIONS

HEAD OFFICE  
114 Endeavour Way  
Sunshine West  
VIC 3020 Australia

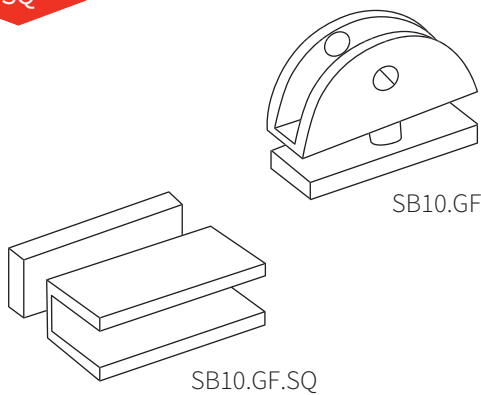
ADELAIDE OFFICE  
7 Manfull Street  
Melrose Park  
SA 5039 Australia

1300 4 ELITE | 03 9314 6105  
sales@eliteglassolutions.com.au  
www.eliteglassolutions.com.au

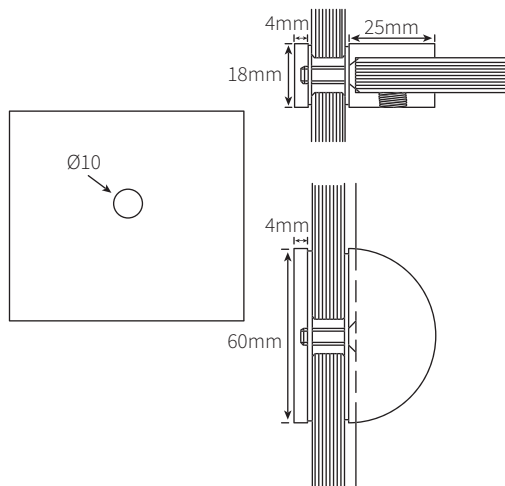
**GLASS SHELF BRACKET WITH GRUB SCREW**

Item number	<ul style="list-style-type: none"> <li>• SB10.GF - round edge</li> <li>• SB10.GF.SQ - square edge</li> </ul>
Description	<ul style="list-style-type: none"> <li>• glass shelf bracket with grub screw</li> <li>• manufactured in solid brass</li> <li>• facilitates fixing of glass shelves through glass panels</li> </ul>
Suitable for	<ul style="list-style-type: none"> <li>• 10mm glass thickness</li> </ul>
Material finish	<ul style="list-style-type: none"> <li>• polished or satin chrome</li> <li>• special finishes on request, lead time applies</li> </ul>
Order	<ul style="list-style-type: none"> <li>• material finish</li> <li>• bracket type (round, square)</li> </ul>

SB10.GF/  
SQ



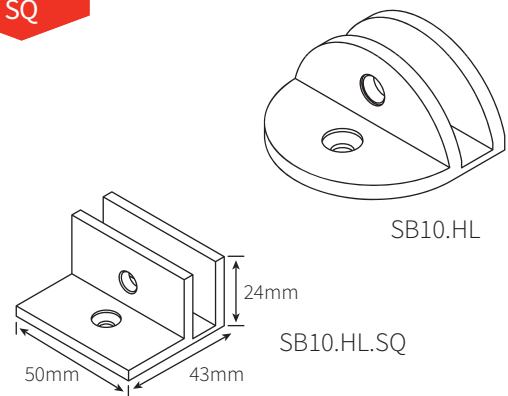
**GLASS PREPARATION**



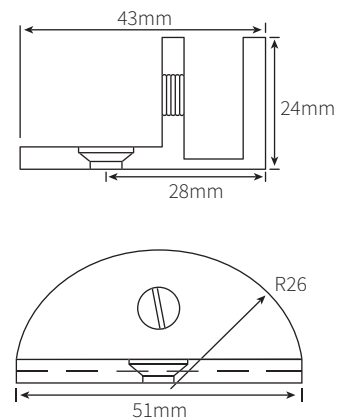
**GLASS SHELF BRACKET WITH HORIZONTAL LEG**

Item number	<ul style="list-style-type: none"> <li>• SB10.HL - round edge</li> <li>• SB10.HL.SQ - square edge</li> </ul>
Description	<ul style="list-style-type: none"> <li>• glass shelf bracket with horizontal leg</li> <li>• manufactured in solid brass</li> <li>• for use in SB10 applications where desired fixing point is away from edge of tile and/or wall</li> <li>• fixing to glass by teflon tipped grub screw</li> <li>• fixing to wall by counter sunk hole through bracket</li> </ul>
Suitable for	<ul style="list-style-type: none"> <li>• 10mm glass thickness</li> </ul>
Material finish	<ul style="list-style-type: none"> <li>• polished or satin chrome</li> <li>• ORB</li> <li>• special finishes on request, lead time applies</li> </ul>
Order	<ul style="list-style-type: none"> <li>• material finish</li> <li>• bracket type (round, square)</li> </ul>

SB10.HL/  
SQ



**GLASS PREPARATION**



**ELITE GLASS SOLUTIONS**

**HEAD OFFICE**  
114 Endeavour Way  
Sunshine West  
VIC 3020 Australia

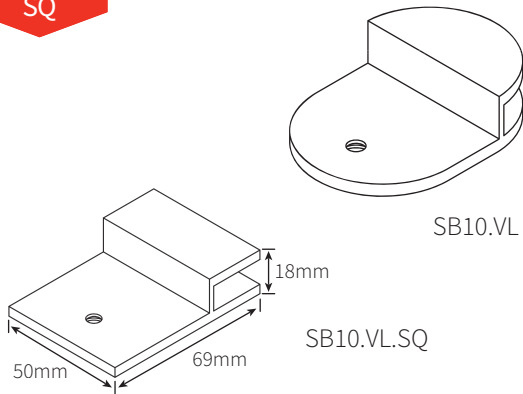
**ADELAIDE OFFICE**  
7 Manfull Street  
Melrose Park  
SA 5039 Australia

1300 4 ELITE | 03 9314 6105  
sales@eliteglassolutions.com.au  
www.eliteglassolutions.com.au

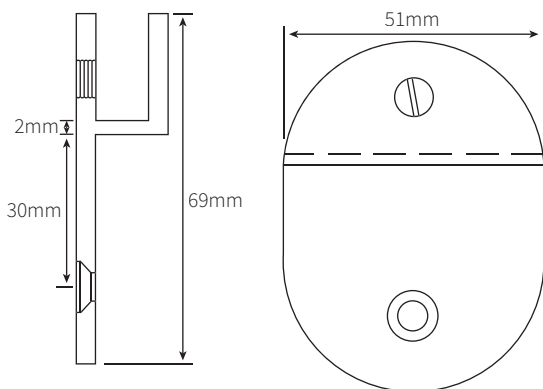
**GLASS SHELF BRACKET WITH VERTICAL LEG**

Item number	<ul style="list-style-type: none"> <li>• SB10.VL - round edge</li> <li>• SB10.VL.SQ - square edge</li> </ul>
Description	<ul style="list-style-type: none"> <li>• glass shelf bracket with horizontal leg</li> <li>• manufactured in solid brass</li> <li>• for use in SB10 applications where desired fixing point is away from edge of tile and/or wall</li> </ul>
Suitable for	<ul style="list-style-type: none"> <li>• 10mm glass thickness</li> </ul>
Material finish	<ul style="list-style-type: none"> <li>• polished or satin chrome</li> <li>• ORB</li> <li>• special finishes on request, lead time applies</li> </ul>
Order	<ul style="list-style-type: none"> <li>• material finish</li> <li>• bracket type (round, square)</li> </ul>

SB10.VL/  
SQ



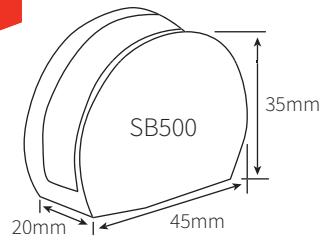
**GLASS PREPARATION**



**GLASS SHELF BRACKET**

Item number	SB500
Description	<ul style="list-style-type: none"> <li>• glass shelf bracket</li> <li>• friction fit with grub screw</li> </ul>
Suitable for	<ul style="list-style-type: none"> <li>• 10mm glass thickness</li> <li>• 6mm and 8mm glass thickness when gasket is added</li> </ul>
Material finish	<ul style="list-style-type: none"> <li>• polished or satin chrome</li> </ul>

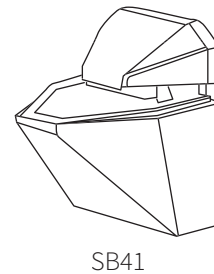
SB500



**GLASS SHELF BRACKET**

Item number	SB41
Description	<ul style="list-style-type: none"> <li>• glass shelf bracket</li> </ul>
Suitable for	<ul style="list-style-type: none"> <li>• 6mm up to 15mm glass thickness</li> </ul>
Material finish	<ul style="list-style-type: none"> <li>• polished or satin chrome</li> </ul>

SB41



**ELITE GLASS SOLUTIONS**

**HEAD OFFICE**  
114 Endeavour Way  
Sunshine West  
VIC 3020 Australia

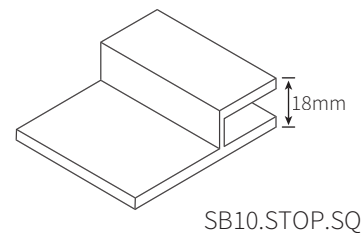
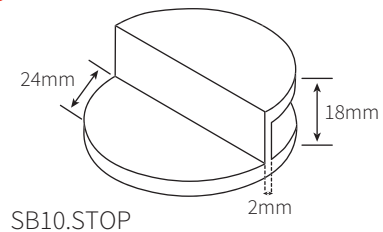
**ADELAIDE OFFICE**  
7 Manfull Street  
Melrose Park  
SA 5039 Australia

1300 4 ELITE | 03 9314 6105  
sales@eliteglassolutions.com.au  
www.eliteglassolutions.com.au



## SHOWER DOOR STOP

Item number	<ul style="list-style-type: none"> <li>• SB10.STOP - round profile</li> <li>• SB10.STOP.SQ - square profile</li> </ul>
Description	<ul style="list-style-type: none"> <li>• shower door stop</li> <li>• manufactured in solid brass</li> <li>• fixing to glass by teflon tipped grub screw</li> <li>• glass stops against the rubber gasket shown</li> </ul>
Suitable for	<ul style="list-style-type: none"> <li>• 10mm glass thickness</li> </ul>
Material finish	<ul style="list-style-type: none"> <li>• polished or satin chrome</li> <li>• ORB</li> <li>• special finishes on request, lead time applies</li> </ul>
Order	<ul style="list-style-type: none"> <li>• material finish</li> </ul>

SB10.  
STOP/SQELITE GLASS  
SOLUTIONS

**HEAD OFFICE**  
114 Endeavour Way  
Sunshine West  
VIC 3020 Australia

**ADELAIDE OFFICE**  
7 Manfull Street  
Melrose Park  
SA 5039 Australia

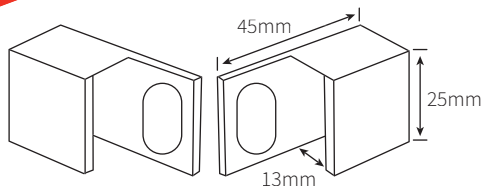
1300 4 ELITE | 03 9314 6105  
sales@eliteglassolutions.com.au  
www.eliteglassolutions.com.au



SHOWER DOOR STOP

Item number	DSP.25
Description	<ul style="list-style-type: none"> <li>shower door stop</li> <li>manufactured in solid brass</li> </ul>
Suitable for	<ul style="list-style-type: none"> <li>10mm glass thickness</li> </ul>
Material finish	<ul style="list-style-type: none"> <li>polished or satin chrome</li> <li>oil rubbed bronze</li> <li>special finishes on request, lead time applies</li> </ul>
Order	<ul style="list-style-type: none"> <li>material finish</li> </ul>

DSP.25

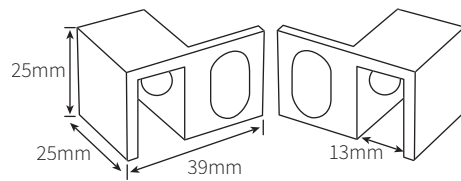


DSP.25

SHOWER DOOR STOP

Item number	DSP.27
Description	<ul style="list-style-type: none"> <li>shower door stop</li> <li>manufactured in solid brass</li> </ul>
Suitable for	<ul style="list-style-type: none"> <li>10mm glass thickness</li> </ul>
Material finish	<ul style="list-style-type: none"> <li>polished or satin chrome</li> <li>oil rubbed bronze</li> <li>special finishes on request, lead time applies</li> </ul>
Order	<ul style="list-style-type: none"> <li>material finish</li> </ul>

DSP.27

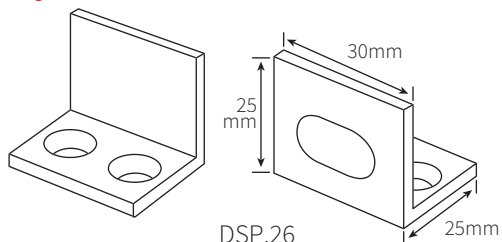


DSP.27

SHOWER DOOR STOP

Item number	DSP.26
Description	<ul style="list-style-type: none"> <li>shower door stop</li> <li>manufactured in solid brass</li> </ul>
Suitable for	<ul style="list-style-type: none"> <li>10mm glass thickness</li> </ul>
Material finish	<ul style="list-style-type: none"> <li>polished or satin chrome</li> <li>oil rubbed bronze</li> <li>special finishes on request, lead time applies</li> </ul>
Order	<ul style="list-style-type: none"> <li>material finish</li> </ul>

DSP.26



DSP.26



ELITE GLASS SOLUTIONS

HEAD OFFICE  
114 Endeavour Way  
Sunshine West  
VIC 3020 Australia

ADELAIDE OFFICE  
7 Manfull Street  
Melrose Park  
SA 5039 Australia

1300 4 ELITE | 03 9314 6105  
sales@eliteglassolutions.com.au  
www.eliteglassolutions.com.au

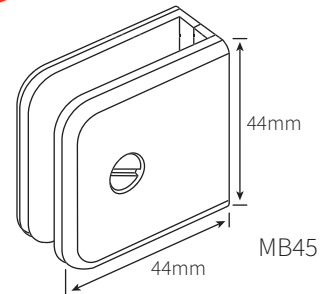
SHOWER  
FIXED BRACKETS



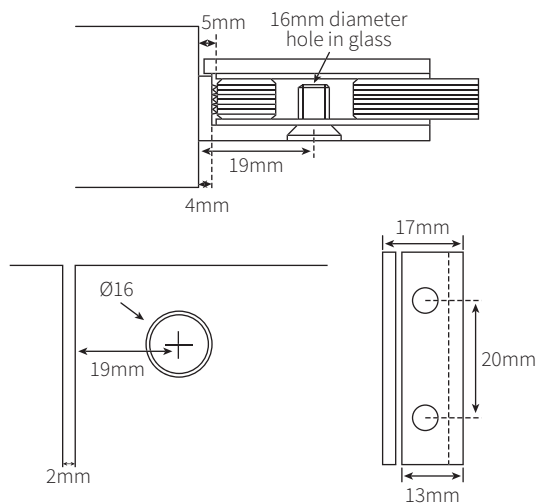
**FIXED BRACKET** GLASS TO WALL 90°  
CONCEALED FIXING

Item number	MB45
Description	<ul style="list-style-type: none"> <li>fixed bracket glass to wall 90° concealed fixing</li> <li>90° glass panel to wall fixing</li> </ul>
Suitable for	<ul style="list-style-type: none"> <li>6mm glass thickness</li> <li>adaptable for 8mm and 10mm glass thickness on request</li> </ul>
Material finish	<ul style="list-style-type: none"> <li>polished or satin chrome</li> <li>special finishes on request, lead time applies</li> </ul>
Order	<ul style="list-style-type: none"> <li>specify glass thickness</li> <li>material finish</li> </ul>

MB45



GLASS PREPARATION



**ELITE GLASS SOLUTIONS**

**HEAD OFFICE**  
114 Endeavour Way  
Sunshine West  
VIC 3020 Australia

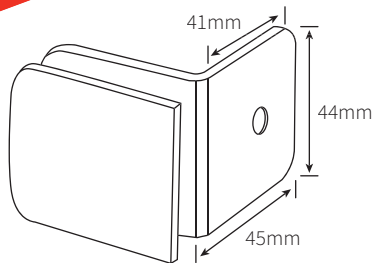
**ADELAIDE OFFICE**  
7 Manfull Street  
Melrose Park  
SA 5039 Australia

1300 4 ELITE | 03 9314 6105  
sales@eliteglassolutions.com.au  
www.eliteglassolutions.com.au

**FIXED BRACKET GLASS TO WALL 90°**

Item number	MB50
Description	<ul style="list-style-type: none"> <li>fixed bracket glass to wall 90°</li> <li>90° glass panel to wall fixing</li> </ul>
Suitable for	<ul style="list-style-type: none"> <li>6mm glass thickness</li> <li>adaptable for 8mm and 10mm glass thickness on request</li> </ul>
Material finish	<ul style="list-style-type: none"> <li>polished or satin chrome</li> <li>special finishes on request, lead time applies</li> </ul>
Order	<ul style="list-style-type: none"> <li>specify glass thickness</li> <li>material finish</li> </ul>

**MB50**

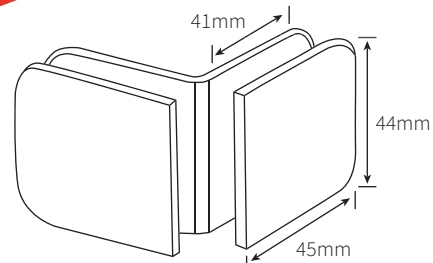


MB50

**FIXED BRACKET GLASS TO GLASS 90°  
DOUBLE SIDED**

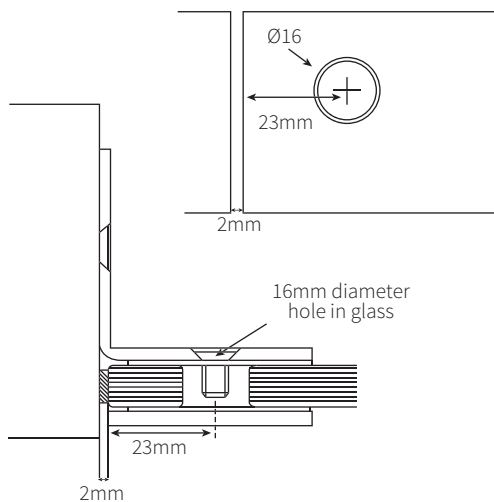
Item number	MBD.50
Description	<ul style="list-style-type: none"> <li>fixed bracket glass to glass 90° double sided</li> <li>90° glass panel to glass panel</li> </ul>
Suitable for	<ul style="list-style-type: none"> <li>6mm glass thickness</li> <li>adaptable for 8mm and 10mm glass thickness on request</li> </ul>
Material finish	<ul style="list-style-type: none"> <li>polished or satin chrome</li> <li>special finishes on request, lead time applies</li> </ul>
Order	<ul style="list-style-type: none"> <li>specify glass thickness</li> <li>material finish</li> </ul>

**MBD.50**

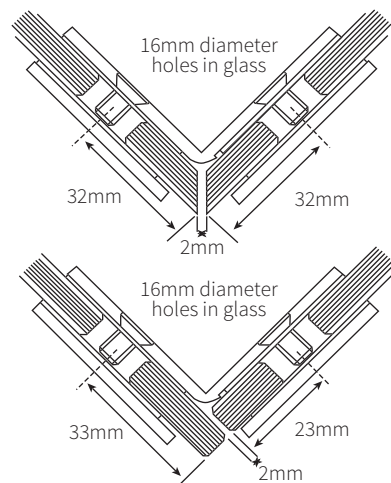


MBD.50

**GLASS PREPARATION**



**GLASS PREPARATION 6MM GLASS THICKNESS**



**ELITE GLASS SOLUTIONS**

**HEAD OFFICE**  
114 Endeavour Way  
Sunshine West  
VIC 3020 Australia

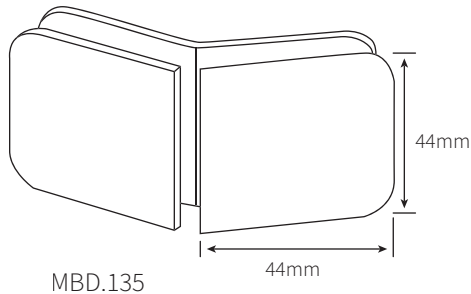
**ADELAIDE OFFICE**  
7 Manfull Street  
Melrose Park  
SA 5039 Australia

1300 4 ELITE | 03 9314 6105  
sales@eliteglassolutions.com.au  
www.eliteglassolutions.com.au

**FIXED BRACKET GLASS TO GLASS 135°  
DOUBLE SIDED**

Item number	MBD.135
Description	<ul style="list-style-type: none"> <li>fixed bracket glass to glass 135° double sided</li> <li>135° glass panel to glass panel</li> </ul>
Suitable for	<ul style="list-style-type: none"> <li>6mm glass thickness</li> <li>adaptable for 8mm and 10mm glass thickness on request</li> </ul>
Material finish	<ul style="list-style-type: none"> <li>polished or satin chrome</li> <li>special finishes on request, lead time applies</li> </ul>
Order	<ul style="list-style-type: none"> <li>specify glass thickness</li> <li>material finish</li> </ul>

MBD.135

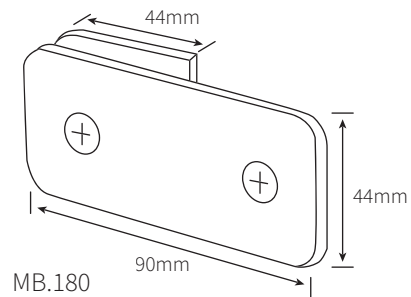


MBD.135

**FIXED BRACKET GLASS TO WALL 180°  
FLAT**

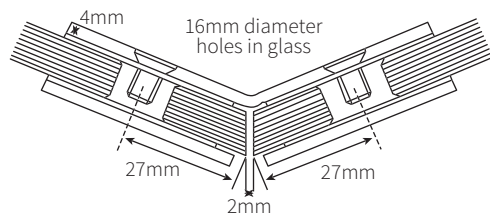
Item number	MB.180
Description	<ul style="list-style-type: none"> <li>fixed bracket glass to wall 180° flat</li> <li>180° glass panel to wall panel</li> </ul>
Suitable for	<ul style="list-style-type: none"> <li>6mm glass thickness</li> <li>adaptable for 8mm and 10mm glass thickness on request</li> </ul>
Material finish	<ul style="list-style-type: none"> <li>polished or satin chrome</li> <li>special finishes on request, lead time applies</li> </ul>
Order	<ul style="list-style-type: none"> <li>specify glass thickness</li> <li>material finish</li> </ul>

MB.180

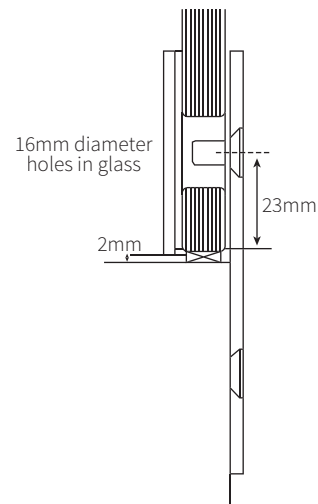


MB.180

**GLASS PREPARATION 10MM GLASS THICKNESS**



**GLASS PREPARATION**



**ELITE GLASS SOLUTIONS**

**HEAD OFFICE**  
114 Endeavour Way  
Sunshine West  
VIC 3020 Australia

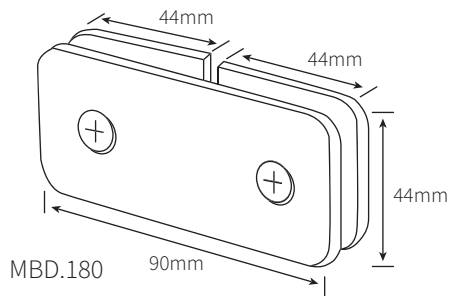
**ADELAIDE OFFICE**  
7 Manfull Street  
Melrose Park  
SA 5039 Australia

1300 4 ELITE | 03 9314 6105  
sales@eliteglassolutions.com.au  
www.eliteglassolutions.com.au

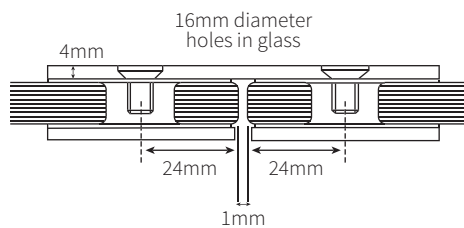
**FIXED BRACKET** GLASS TO GLASS 180°  
DOUBLE SIDED FLAT

Item number	MBD.180
Description	<ul style="list-style-type: none"> <li>• fixed bracket glass to glass 180° double sided flat</li> <li>• 180° glass panel to glass panel</li> </ul>
Suitable for	<ul style="list-style-type: none"> <li>• 6mm glass thickness</li> <li>• adaptable for 8mm and 10mm glass thickness on request</li> </ul>
Material finish	<ul style="list-style-type: none"> <li>• polished or satin chrome</li> <li>• special finishes on request, lead time applies</li> </ul>
Order	<ul style="list-style-type: none"> <li>• specify glass thickness</li> <li>• material finish</li> </ul>

MBD.180



GLASS PREPARATION



**ELITE GLASS SOLUTIONS**

**HEAD OFFICE**  
114 Endeavour Way  
Sunshine West  
VIC 3020 Australia

**ADELAIDE OFFICE**  
7 Manfull Street  
Melrose Park  
SA 5039 Australia

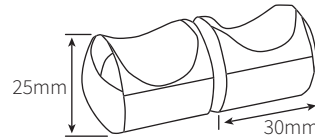
1300 4 ELITE | 03 9314 6105  
sales@eliteglassolutions.com.au  
www.eliteglassolutions.com.au



PULL KNOB FINGER SET

Item number	MH20
Description	<ul style="list-style-type: none"> <li>• pull knob finger set</li> <li>• supplied as a pair</li> </ul>
Material finish	<ul style="list-style-type: none"> <li>• polished or satin chrome</li> <li>• special finishes on request, lead time applies</li> </ul>

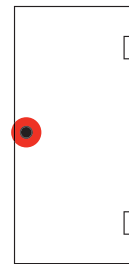
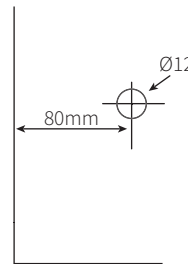
MH20



MH20

GLASS CUT OUT DETAIL

INSITU APPLICATION



ELITE GLASS SOLUTIONS

**HEAD OFFICE**  
114 Endeavour Way  
Sunshine West  
VIC 3020 Australia

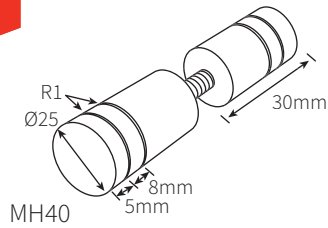
**ADELAIDE OFFICE**  
7 Manfull Street  
Melrose Park  
SA 5039 Australia

1300 4 ELITE | 03 9314 6105  
sales@eliteglassolutions.com.au  
www.eliteglassolutions.com.au

**PULL KNOB DOUBLE 25MM DIAMETER**

Item number	MH40
Description	<ul style="list-style-type: none"> <li>• pull knob double 25mm diameter</li> <li>• solid brass</li> <li>• supplied as a pair</li> </ul>
Material finish	<ul style="list-style-type: none"> <li>• polished or satin chrome</li> <li>• ORB</li> <li>• special finishes on request, lead time applies</li> </ul>

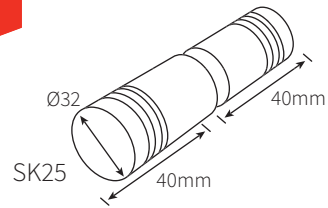
**MH40**



**PULL KNOB DOUBLE 32MM DIAMETER**

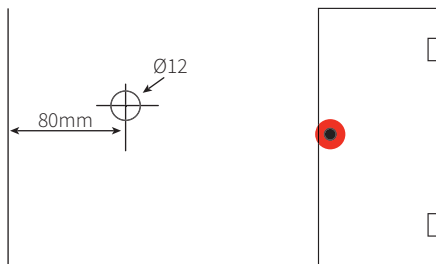
Item number	SK25
Description	<ul style="list-style-type: none"> <li>• pull knob double 32mm diameter</li> <li>• solid brass</li> <li>• supplied as a pair</li> </ul>
Material finish	<ul style="list-style-type: none"> <li>• polished or satin chrome</li> <li>• special finishes on request, lead time applies</li> </ul>

**SK25**



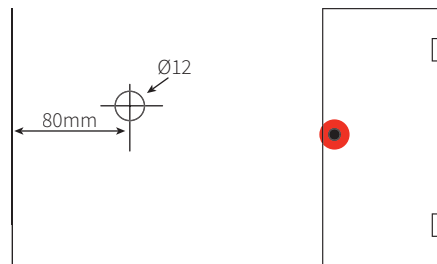
GLASS CUT OUT DETAIL

INSITU APPLICATION



GLASS CUT OUT DETAIL

INSITU APPLICATION



**ELITE GLASS SOLUTIONS**

**HEAD OFFICE**  
114 Endeavour Way  
Sunshine West  
VIC 3020 Australia

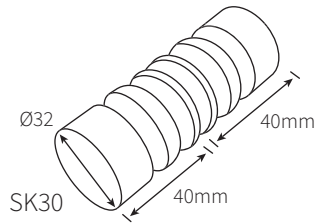
**ADELAIDE OFFICE**  
7 Manfull Street  
Melrose Park  
SA 5039 Australia

1300 4 ELITE | 03 9314 6105  
sales@eliteglassolutions.com.au  
www.eliteglassolutions.com.au

**PULL KNOB DOUBLE 32MM DIAMETER**

Item number	SK30
Description	<ul style="list-style-type: none"> <li>• pull knob double 32mm diameter</li> <li>• solid brass</li> <li>• supplied as a pair</li> </ul>
Material finish	<ul style="list-style-type: none"> <li>• polished or satin chrome</li> <li>• special finishes on request, lead time applies</li> </ul>

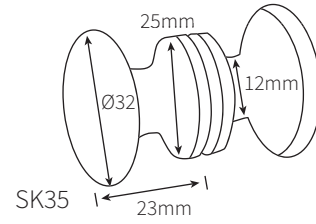
SK30



**PULL KNOB DOUBLE 32MM DIAMETER**

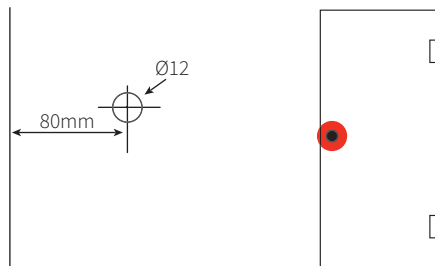
Item number	SK35
Description	<ul style="list-style-type: none"> <li>• pull knob double 32mm diameter</li> <li>• solid brass</li> <li>• supplied as a pair</li> </ul>
Material finish	<ul style="list-style-type: none"> <li>• polished or satin chrome</li> <li>• special finishes on request, lead time applies</li> </ul>

SK35



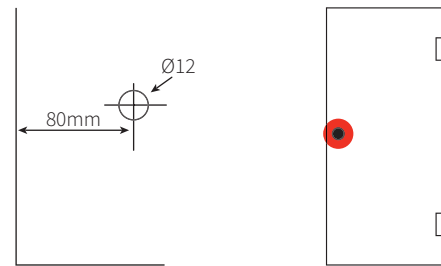
GLASS CUT OUT DETAIL

INSITU APPLICATION



GLASS CUT OUT DETAIL

INSITU APPLICATION



**ELITE GLASS SOLUTIONS**

**HEAD OFFICE**  
114 Endeavour Way  
Sunshine West  
VIC 3020 Australia

**ADELAIDE OFFICE**  
7 Manfull Street  
Melrose Park  
SA 5039 Australia

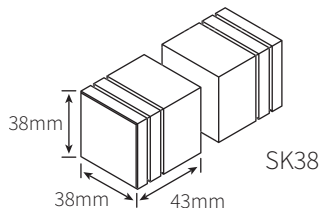
1300 4 ELITE | 03 9314 6105  
sales@eliteglassolutions.com.au  
www.eliteglassolutions.com.au



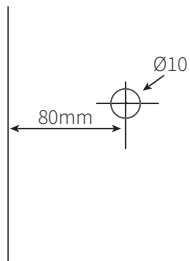
**PULL KNOB DOUBLE SQUARE 38MM DIAMETER**

Item number	SK38
Description	<ul style="list-style-type: none"> <li>pull knob double square 38mm diameter</li> <li>solid brass</li> <li>supplied as a pair</li> </ul>
Material finish	<ul style="list-style-type: none"> <li>polished or satin chrome</li> <li>special finishes on request, lead time applies</li> </ul>

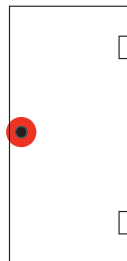
**SK38**



GLASS CUT OUT DETAIL



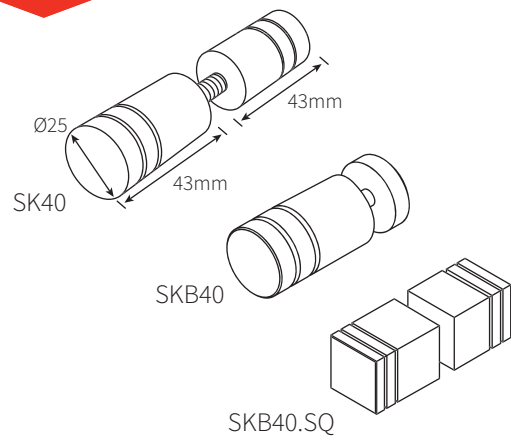
INSITU APPLICATION



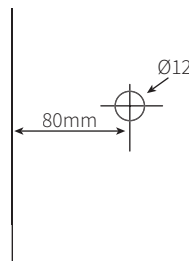
**PULL KNOB DOUBLE 25MM DIAMETER**

Item number	<ul style="list-style-type: none"> <li>SK40 - round edge</li> <li>SKB40 - round edge with button</li> <li>SK40.SQ - square edge</li> </ul>
Description	<ul style="list-style-type: none"> <li>pull knob double 25mm diameter</li> <li>solid brass</li> <li>supplied as a pair</li> </ul>
Material finish	<ul style="list-style-type: none"> <li>polished or satin chrome</li> <li>ORB</li> <li>special finishes on request, lead time applies</li> </ul>

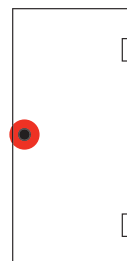
**SK40/SQ  
SKB40**



GLASS CUT OUT DETAIL



INSITU APPLICATION



**ELITE GLASS SOLUTIONS**

**HEAD OFFICE**  
114 Endeavour Way  
Sunshine West  
VIC 3020 Australia

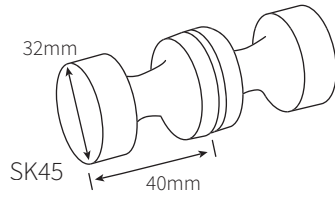
**ADELAIDE OFFICE**  
7 Manfull Street  
Melrose Park  
SA 5039 Australia

1300 4 ELITE | 03 9314 6105  
sales@eliteglassolutions.com.au  
www.eliteglassolutions.com.au

**PULL KNOB DOUBLE 32MM DIAMETER**

Item number	SK45
Description	<ul style="list-style-type: none"> <li>• pull knob double 32mm diameter</li> <li>• solid brass</li> <li>• supplied as a pair</li> </ul>
Material finish	<ul style="list-style-type: none"> <li>• polished or satin chrome</li> <li>• special finishes on request, lead time applies</li> </ul>

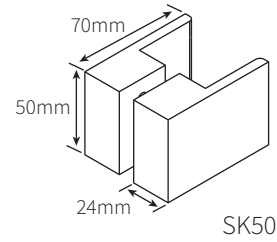
SK45



**PULL KNOB DOUBLE 24MM DIAMETER**

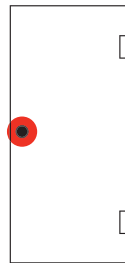
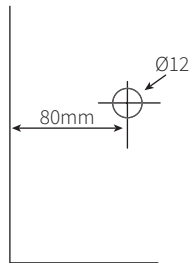
Item number	SK50
Description	<ul style="list-style-type: none"> <li>• pull knob double 24mm diameter</li> <li>• solid brass</li> <li>• supplied as a pair</li> </ul>
Material finish	<ul style="list-style-type: none"> <li>• polished or satin chrome</li> <li>• ORB</li> <li>• special finishes on request, lead time applies</li> </ul>

SK50



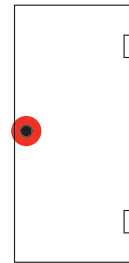
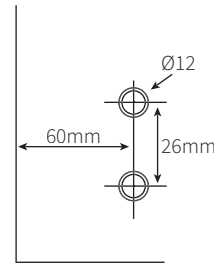
GLASS CUT OUT DETAIL

INSITU APPLICATION



GLASS CUT OUT DETAIL

INSITU APPLICATION



**ELITE GLASS SOLUTIONS**

**HEAD OFFICE**  
114 Endeavour Way  
Sunshine West  
VIC 3020 Australia

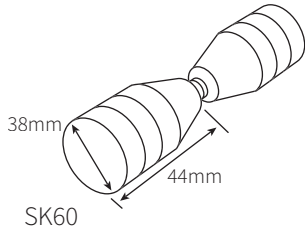
**ADELAIDE OFFICE**  
7 Manfull Street  
Melrose Park  
SA 5039 Australia

1300 4 ELITE | 03 9314 6105  
sales@eliteglassolutions.com.au  
www.eliteglassolutions.com.au

**PULL KNOB DOUBLE 38MM DIAMETER**

Item number	SK60
Description	<ul style="list-style-type: none"> <li>• pull knob double 38mm diameter</li> <li>• solid brass</li> <li>• supplied as a pair</li> </ul>
Material finish	<ul style="list-style-type: none"> <li>• polished or satin chrome</li> <li>• special finishes on request, lead time applies</li> </ul>

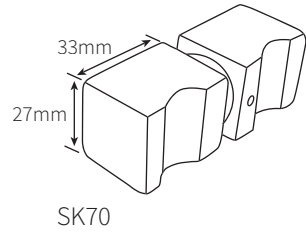
SK60



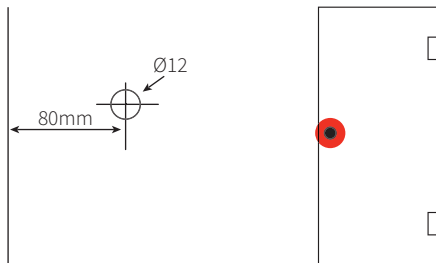
**PULL KNOB DOUBLE 27MM DIAMETER**

Item number	SK70
Description	<ul style="list-style-type: none"> <li>• pull knob double 27mm diameter</li> <li>• solid brass</li> <li>• supplied as a pair</li> </ul>
Material finish	<ul style="list-style-type: none"> <li>• polished or satin chrome</li> <li>• special finishes on request, lead time applies</li> </ul>

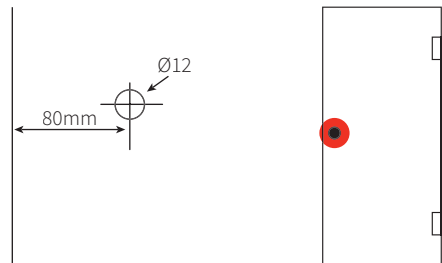
SK70



GLASS CUT OUT DETAIL    INSITU APPLICATION



GLASS CUT OUT DETAIL    INSITU APPLICATION



**ELITE GLASS SOLUTIONS**

**HEAD OFFICE**  
114 Endeavour Way  
Sunshine West  
VIC 3020 Australia

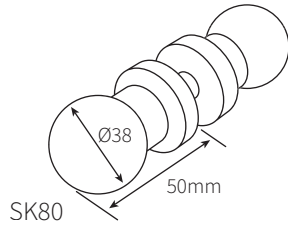
**ADELAIDE OFFICE**  
7 Manfull Street  
Melrose Park  
SA 5039 Australia

1300 4 ELITE | 03 9314 6105  
sales@eliteglassolutions.com.au  
www.eliteglassolutions.com.au

**PULL KNOB DOUBLE 38MM DIAMETER**

Item number	SK80
Description	<ul style="list-style-type: none"> <li>• pull knob double 38mm diameter</li> <li>• solid brass</li> <li>• supplied as a pair</li> </ul>
Material finish	<ul style="list-style-type: none"> <li>• polished or satin chrome</li> <li>• special finishes on request, lead time applies</li> </ul>

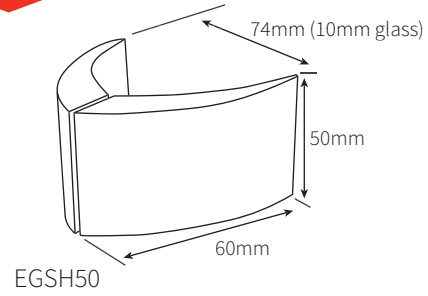
SK80



**PULL KNOB DOUBLE ROUND**

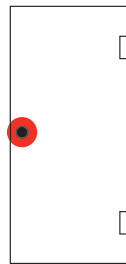
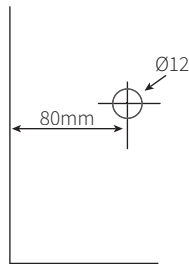
Item number	EGSH50
Description	<ul style="list-style-type: none"> <li>• pull knob double round</li> <li>• supplied as a pair</li> </ul>
Material finish	<ul style="list-style-type: none"> <li>• polished or satin chrome</li> <li>• special finishes on request, lead time applies</li> </ul>

EGSH50



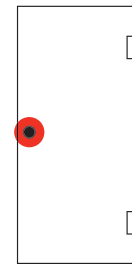
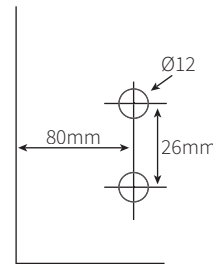
GLASS CUT OUT DETAIL

INSITU APPLICATION



GLASS CUT OUT DETAIL

INSITU APPLICATION



**ELITE GLASS SOLUTIONS**

**HEAD OFFICE**  
114 Endeavour Way  
Sunshine West  
VIC 3020 Australia

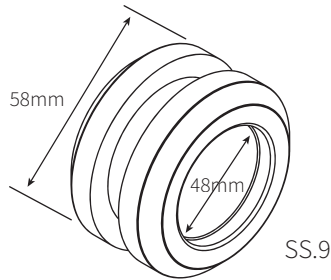
**ADELAIDE OFFICE**  
7 Manfull Street  
Melrose Park  
SA 5039 Australia

1300 4 ELITE | 03 9314 6105  
sales@eliteglassolutions.com.au  
www.eliteglassolutions.com.au

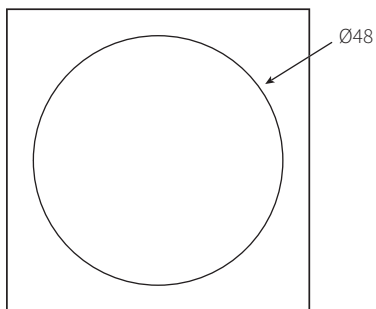
## SLIDING DOOR FINGER PULL

Item number	SS.9
Description	<ul style="list-style-type: none"> <li>• sliding door finger pull</li> <li>• glass hole size 48mm</li> <li>• 58mm overall diameter</li> </ul>
Suitable for	• 8mm and 10mm glass thickness
Material finish	• satin stainless steel

SS.9



## GLASS CUT OUT DETAIL



**ELITE GLASS  
SOLUTIONS**

**HEAD OFFICE**  
114 Endeavour Way  
Sunshine West  
VIC 3020 Australia

**ADELAIDE OFFICE**  
7 Manfull Street  
Melrose Park  
SA 5039 Australia

1300 4 ELITE | 03 9314 6105  
 sales@eliteglassolutions.com.au  
 www.eliteglassolutions.com.au

SHOWER  
PULL HANDLES

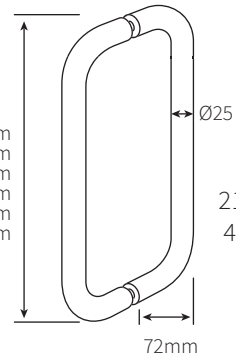


PULL HANDLE DOUBLE D

Item number	<ul style="list-style-type: none"> <li>• SH210 210mm overall length hole centres 210mm apart</li> <li>• SH250 250mm overall length hole centres 250mm apart</li> <li>• SH300 300mm overall length hole centres 300mm apart</li> <li>• SH400 300mm overall length hole centres 400mm apart</li> <li>• SH450 300mm overall length hole centres 450mm apart</li> <li>• SH500 300mm overall length hole centres 500mm apart</li> </ul>
Description	<ul style="list-style-type: none"> <li>• pull handle double d</li> <li>• 25mm diameter</li> <li>• 10mm hole diameter</li> <li>• supplied as a pair</li> </ul>
Suitable for	<ul style="list-style-type: none"> <li>• 6mm, 8mm, 10mm and 12mm glass thickness</li> </ul>
Material finish	<ul style="list-style-type: none"> <li>• polished or satin stainless steel</li> <li>• special finishes on request, lead time applies</li> </ul>

SH

SH210 - 210mm  
SH250 - 250mm  
SH300 - 300mm  
SH400 - 400mm  
SH450 - 450mm  
SH500 - 500mm

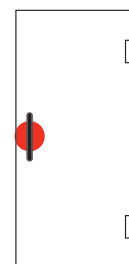
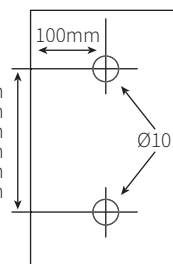


SH  
210/250/300/  
400/450/500

GLASS CUT OUT DETAIL

INSITU APPLICATION

SH210 - 210mm  
SH250 - 250mm  
SH300 - 300mm  
SH400 - 400mm  
SH450 - 450mm  
SH500 - 500mm



ELITE GLASS  
SOLUTIONS

HEAD OFFICE  
114 Endeavour Way  
Sunshine West  
VIC 3020 Australia

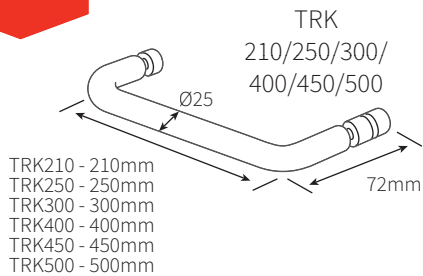
ADELAIDE OFFICE  
7 Manfull Street  
Melrose Park  
SA 5039 Australia

1300 4 ELITE | 03 9314 6105  
sales@eliteglassolutions.com.au  
www.eliteglassolutions.com.au

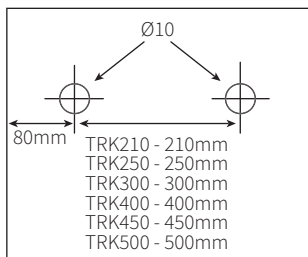
**PULL HANDLE TOWEL HANDLE**

<b>Item number</b>	<ul style="list-style-type: none"> <li>• TRK210 210mm overall length hole centres 210mm apart</li> <li>• TRK250 250mm overall length hole centres 250mm apart</li> <li>• TRK300 300mm overall length hole centres 300mm apart</li> <li>• TRK400 300mm overall length hole centres 400mm apart</li> <li>• TRK450 300mm overall length hole centres 450mm apart</li> <li>• TRK500 300mm overall length hole centres 500mm apart</li> </ul>
<b>Description</b>	<ul style="list-style-type: none"> <li>• pull handle towel handle</li> <li>• 25mm diameter</li> <li>• 10mm hole diameter</li> <li>• brass tube</li> </ul>
<b>Suitable for</b>	<ul style="list-style-type: none"> <li>• 6mm, 8mm, 10mm and 12mm glass thickness</li> </ul>
<b>Material finish</b>	<ul style="list-style-type: none"> <li>• polished or satin stainless steel</li> <li>• special finishes on request, lead time applies</li> </ul>

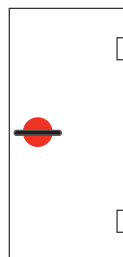
**TRK**



**GLASS CUT OUT DETAIL**



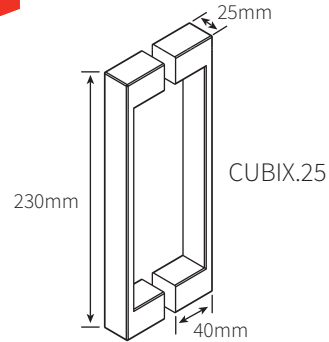
**INSITU APPLICATION**



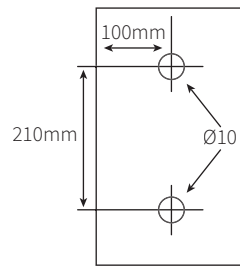
**PULL HANDLE DOUBLE 25MM WIDTH**

<b>Item number</b>	CUBIX.25
<b>Description</b>	<ul style="list-style-type: none"> <li>• pull handle double 25mm width</li> <li>• supplied as a pair</li> </ul>
<b>Material finish</b>	<ul style="list-style-type: none"> <li>• polished or satin stainless steel</li> <li>• special finishes on request, lead time applies</li> </ul>

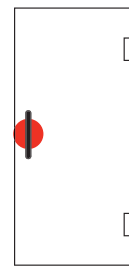
**CUBIX.25**



**GLASS CUT OUT DETAIL**



**INSITU APPLICATION**



**ELITE GLASS SOLUTIONS**

**HEAD OFFICE**  
114 Endeavour Way  
Sunshine West  
VIC 3020 Australia

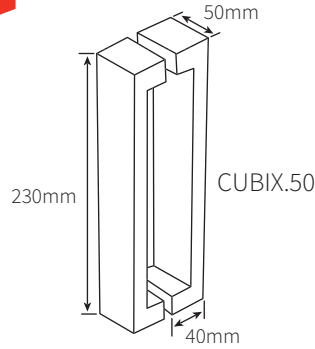
**ADELAIDE OFFICE**  
7 Manfull Street  
Melrose Park  
SA 5039 Australia

1300 4 ELITE | 03 9314 6105  
sales@eliteglassolutions.com.au  
www.eliteglassolutions.com.au

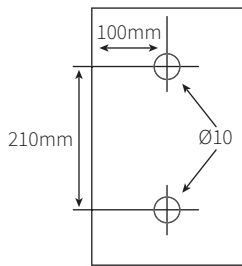
**PULL HANDLE DOUBLE 50MM WIDTH**

Item number	CUBIX.50
Description	<ul style="list-style-type: none"> <li>pull handle double 50mm width</li> <li>supplied as a pair</li> </ul>
Material finish	<ul style="list-style-type: none"> <li>polished or satin stainless steel</li> <li>special finishes on request, lead time applies</li> </ul>

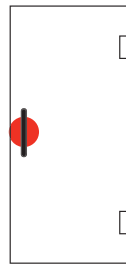
**CUBIX.50**



GLASS CUT OUT DETAIL



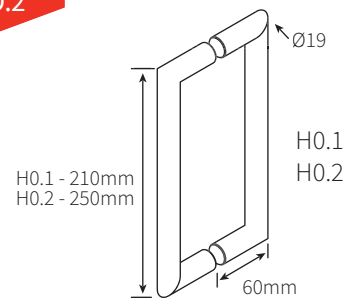
INSITU APPLICATION



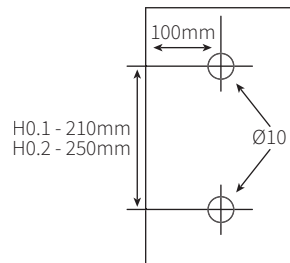
**PULL HANDLE MATISSE DOUBLE**

Item number	<ul style="list-style-type: none"> <li>HO.1 210mm overall length hole centres 210mm apart</li> <li>HO.2 250mm overall length hole centres 250mm apart</li> </ul>
Description	<ul style="list-style-type: none"> <li>pull handle matisse double</li> <li>19mm diameter</li> <li>supplied as a pair</li> </ul>
Suitable for	<ul style="list-style-type: none"> <li>6mm, 8mm, 10mm and 12mm glass thickness</li> </ul>
Material finish	<ul style="list-style-type: none"> <li>polished stainless steel</li> </ul>

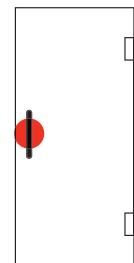
**HO.1  
HO.2**



GLASS CUT OUT DETAIL



INSITU APPLICATION

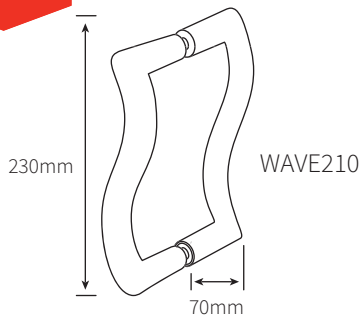




**PULL HANDLE WAVE DOUBLE**

Item number	WAVE210
Description	<ul style="list-style-type: none"> <li>• pull handle wave 210 double</li> <li>• solid brass</li> <li>• supplied as a pair</li> </ul>
Suitable for	• 6mm, 8mm, 10mm and 12mm glass thickness
Material finish	<ul style="list-style-type: none"> <li>• polished or satin chrome</li> <li>• special finishes on request, lead time applies</li> </ul>

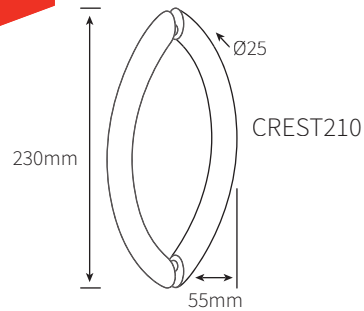
WAVE210



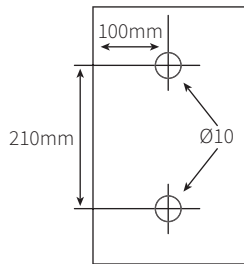
**PULL HANDLE CREST DOUBLE**

Item number	CREST210
Description	<ul style="list-style-type: none"> <li>• pull handle crest 210 double</li> <li>• stainless steel tube</li> <li>• 25mm diameter</li> <li>• supplied as a pair</li> </ul>
Suitable for	• 6mm, 8mm, 10mm and 12mm glass thickness
Material finish	<ul style="list-style-type: none"> <li>• polished or satin chrome</li> <li>• special finishes on request, lead time applies</li> </ul>

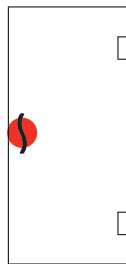
CREST210



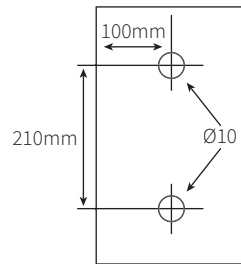
GLASS CUT OUT DETAIL



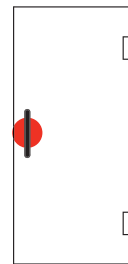
INSITU APPLICATION



GLASS CUT OUT DETAIL



INSITU APPLICATION



**ELITE GLASS SOLUTIONS**

**HEAD OFFICE**  
114 Endeavour Way  
Sunshine West  
VIC 3020 Australia

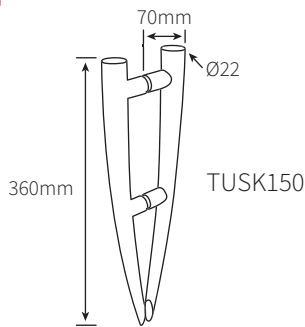
**ADELAIDE OFFICE**  
7 Manfull Street  
Melrose Park  
SA 5039 Australia

1300 4 ELITE | 03 9314 6105  
sales@eliteglassolutions.com.au  
www.eliteglassolutions.com.au

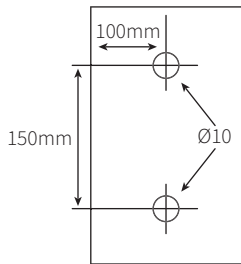
PULL HANDLE TUSK DOUBLE

Item number	TUSK150
Description	<ul style="list-style-type: none"> <li>pull handle tusk 150 double</li> <li>solid brass</li> <li>22mm diameter with taper</li> <li>supplied as a pair</li> </ul>
Suitable for	<ul style="list-style-type: none"> <li>6mm, 8mm, 10mm and 12mm glass thickness</li> </ul>
Material finish	<ul style="list-style-type: none"> <li>polished or satin chrome</li> <li>special finishes on request, lead time applies</li> </ul>

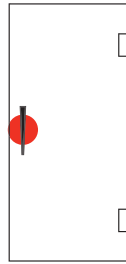
TUSK150



GLASS CUT OUT DETAIL



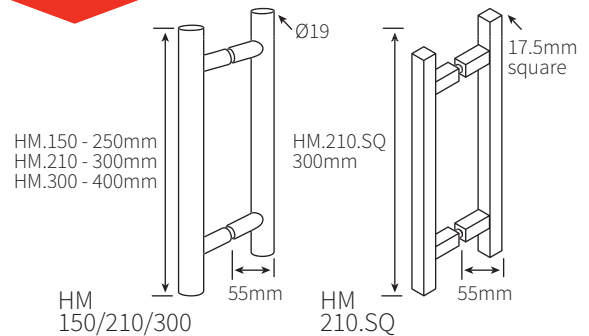
INSITU APPLICATION



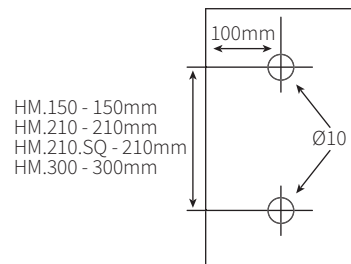
PULL HANDLE MARSH

Item number	<ul style="list-style-type: none"> <li>HM.150 - round 250mm overall length hole centres 150mm apart</li> <li>HM.210 - round 300mm overall length hole centres 210mm apart</li> <li>HM.210.SQ - square 300mm overall length hole centres 210mm apart</li> <li>HM.300 - round 400mm overall length hole centres 300mm apart</li> </ul>
Description	<ul style="list-style-type: none"> <li>pull handle marsh</li> <li>solid brass</li> <li>19mm diameter</li> <li>supplied as a pair</li> </ul>
Suitable for	<ul style="list-style-type: none"> <li>6mm, 8mm, 10mm and 12mm glass thickness</li> </ul>
Material finish	<ul style="list-style-type: none"> <li>polished or satin chrome</li> <li>special finishes on request, lead time applies</li> </ul>

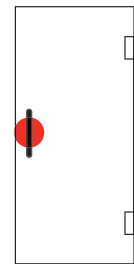
HM



GLASS CUT OUT DETAIL



INSITU APPLICATION



ELITE GLASS SOLUTIONS

HEAD OFFICE  
114 Endeavour Way  
Sunshine West  
VIC 3020 Australia

ADELAIDE OFFICE  
7 Manfull Street  
Melrose Park  
SA 5039 Australia

1300 4 ELITE | 03 9314 6105  
sales@eliteglassolutions.com.au  
www.eliteglassolutions.com.au

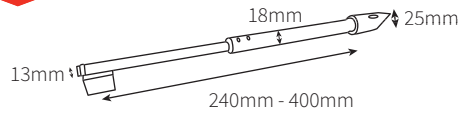
BRACING BARS



BRACING BAR GLASS TO WALL CORNER

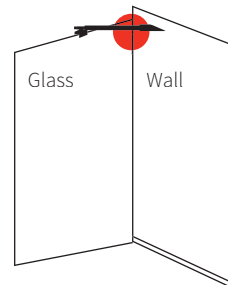
Item number	WB240
Description	<ul style="list-style-type: none"> <li>• bracing bar glass to wall corner</li> <li>• aligns from the corner of the shower 45°</li> <li>• attaches to glass with grub screws</li> <li>• can be retrofit fixed to stabilise any extra deflection in the glass</li> <li>• with the 45° angle it provides a less obtrusive option for fixed panels of glass</li> </ul>
Suitable for	<ul style="list-style-type: none"> <li>• 6mm, 8mm and 10mm glass thickness</li> <li>• fix, swing bath applications</li> </ul>
Material finish	• polished chrome

WB240



WB240

INSITU APPLICATION



ELITE GLASS SOLUTIONS

HEAD OFFICE  
114 Endeavour Way  
Sunshine West  
VIC 3020 Australia

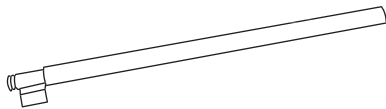
ADELAIDE OFFICE  
7 Manfull Street  
Melrose Park  
SA 5039 Australia

1300 4 ELITE | 03 9314 6105  
sales@eliteglassolutions.com.au  
www.eliteglassolutions.com.au

**BRACING BAR** ADJUSTABLE GLASS TO WALL

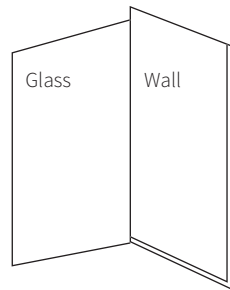
Item number	GWB90
Description	<ul style="list-style-type: none"> <li>• bracing bar glass to wall</li> <li>• adjustable length up to 1.1 meters</li> <li>• attaches to glass with grub screws</li> </ul>
Suitable for	<ul style="list-style-type: none"> <li>• 6mm, 8mm and 10mm glass thickness</li> <li>• fix, swing bath applications</li> </ul>
Material finish	• polished chrome

GWB90



GWB90

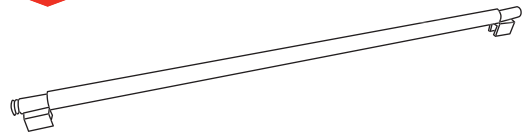
INSITU APPLICATION



**BRACING BAR** ADJUSTABLE GLASS TO GLASS

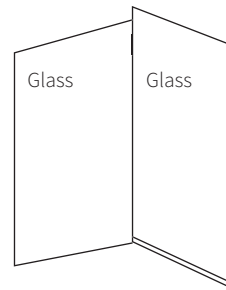
Item number	GGB135
Description	<ul style="list-style-type: none"> <li>• bracing bar glass to glass</li> <li>• adjustable length up to 1.1 meters</li> <li>• attaches to glass with grub screws</li> </ul>
Suitable for	<ul style="list-style-type: none"> <li>• 6mm, 8mm and 10mm glass thickness</li> <li>• fix, swing bath applications</li> </ul>
Material finish	• polished chrome

GGB135



GGB135

INSITU APPLICATION



**ELITE GLASS SOLUTIONS**

**HEAD OFFICE**  
114 Endeavour Way  
Sunshine West  
VIC 3020 Australia

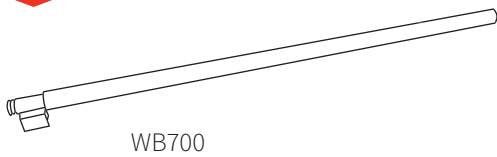
**ADELAIDE OFFICE**  
7 Manfull Street  
Melrose Park  
SA 5039 Australia

1300 4 ELITE | 03 9314 6105  
sales@eliteglassolutions.com.au  
www.eliteglassolutions.com.au

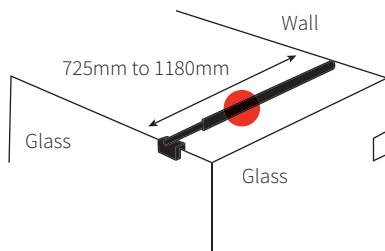
**BRACING BAR ADJUSTABLE GLASS TO WALL**

<b>Item number</b>	<ul style="list-style-type: none"> <li>• WB700 - round profile</li> <li>• WB700.SQ - square profile</li> </ul>
<b>Description</b>	<ul style="list-style-type: none"> <li>• bracing bar adjustable glass to wall</li> <li>• available in round and square profile</li> <li>• telescopic extendable for precise fit adjusting from 725mm minimum to 1180mm maximum</li> <li>• 25mm diameter outer rod</li> <li>• 19mm diameter inner rod</li> <li>• complete retrofit bracing system</li> <li>• attaches to glass with grub screws</li> <li>• swivel glass attachment for variable angles</li> </ul>
<b>Suitable for</b>	<ul style="list-style-type: none"> <li>• 6mm, 8mm and 10mm glass thickness</li> <li>• fix, swing bath applications</li> </ul>
<b>Material finish</b>	<ul style="list-style-type: none"> <li>• polished chrome</li> </ul>

WB700/  
SQ



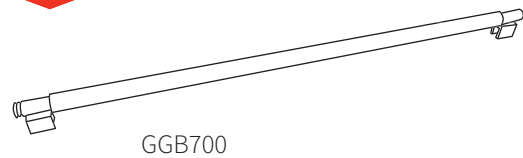
**INSITU APPLICATION**



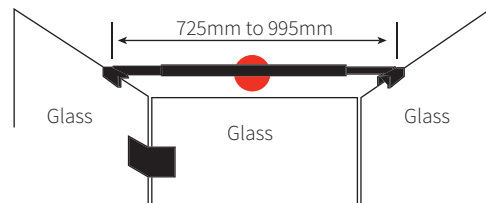
**BRACING BAR ADJUSTABLE GLASS TO GLASS**

<b>Item number</b>	GGB700
<b>Description</b>	<ul style="list-style-type: none"> <li>• bracing bar adjustable glass to glass</li> <li>• telescopic extendable for precise fit adjusting from 725mm minimum to 995mm maximum at 135°</li> <li>• 25mm diameter outer rod</li> <li>• 19mm diameter inner rod</li> <li>• complete retrofit bracing system</li> <li>• attaches to glass with grub screws</li> <li>• swivel glass attachment for variable angles</li> </ul>
<b>Suitable for</b>	<ul style="list-style-type: none"> <li>• 6mm, 8mm and 10mm glass thickness</li> <li>• fix, swing bath applications</li> </ul>
<b>Material finish</b>	<ul style="list-style-type: none"> <li>• polished chrome</li> </ul>

GGB700



**INSITU APPLICATION**



**ELITE GLASS SOLUTIONS**

**HEAD OFFICE**  
114 Endeavour Way  
Sunshine West  
VIC 3020 Australia

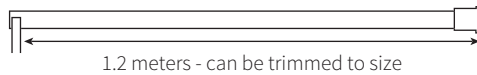
**ADELAIDE OFFICE**  
7 Manfull Street  
Melrose Park  
SA 5039 Australia

1300 4 ELITE | 03 9314 6105  
sales@eliteglassolutions.com.au  
www.eliteglassolutions.com.au

**BRACING BAR TRIM TO FIT  
GLASS TO WALL**

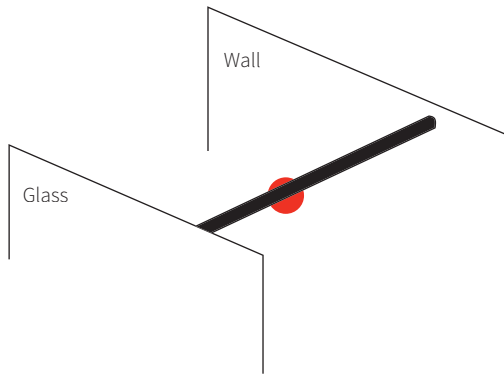
Item number	GWB1200.OPF
Description	<ul style="list-style-type: none"> <li>• bracing bar trim to fit glass to wall</li> <li>• provides bracing of glass panels to walls</li> <li>• can be trimmed to size on site</li> </ul>
Suitable for	• fitting on top of the fixed panel
Material finish	• polished or satin chrome

**GWB1200.  
OPF**



GWB1200.OPF

**INSITU APPLICATION**



**BRACING BAR TRIM TO FIT  
GLASS TO WALL 25MM DIAMETER**

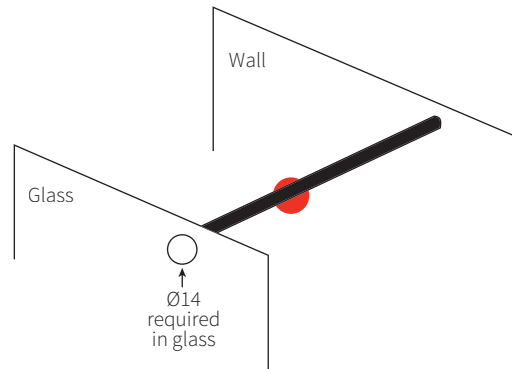
Item number	GWB1200
Description	<ul style="list-style-type: none"> <li>• bracing bar trim to fit glass to wall</li> <li>• 25mm diameter</li> <li>• provides bracing of glass panels to walls</li> <li>• button fix to glass</li> <li>• can be trimmed to size on site</li> <li>• on site bracing of fixed shower panels at time of installation</li> </ul>
Suitable for	• 10mm glass thickness
Material finish	• polished or satin chrome

**GWB1200**



GWB1200

**INSITU APPLICATION**



**ELITE GLASS  
SOLUTIONS**

**HEAD OFFICE**  
114 Endeavour Way  
Sunshine West  
VIC 3020 Australia

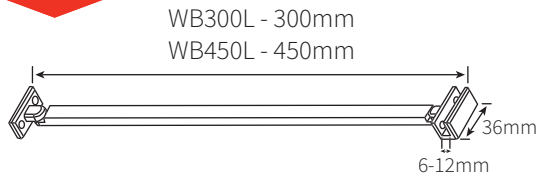
**ADELAIDE OFFICE**  
7 Manfull Street  
Melrose Park  
SA 5039 Australia

1300 4 ELITE | 03 9314 6105  
sales@eliteglassolutions.com.au  
www.eliteglassolutions.com.au

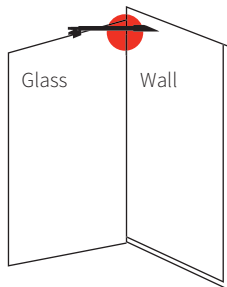
**BRACING BAR GLASS TO WALL CORNER**

Item number	<ul style="list-style-type: none"> <li>• WB300L - 300mm</li> <li>• WB450L - 450mm</li> </ul>
Description	<ul style="list-style-type: none"> <li>• bracing bar glass to wall corner</li> <li>• aligns from the corner of the shower 45°</li> <li>• attaches to glass with grub screws</li> <li>• can be retrofit fixed to stabilise any extra deflection in the glass</li> <li>• with the 45° angle it provides a less obtrusive option for fixed panels of glass</li> </ul>
Suitable for	<ul style="list-style-type: none"> <li>• 6mm, 8mm and 10mm glass thickness</li> <li>• fix, swing bath applications</li> </ul>
Material finish	<ul style="list-style-type: none"> <li>• polished chrome</li> </ul>

WB300L/  
WB450L



**INSITU APPLICATION**



**ELITE GLASS SOLUTIONS**

**HEAD OFFICE**  
114 Endeavour Way  
Sunshine West  
VIC 3020 Australia

**ADELAIDE OFFICE**  
7 Manfull Street  
Melrose Park  
SA 5039 Australia

1300 4 ELITE | 03 9314 6105  
sales@eliteglassolutions.com.au  
www.eliteglassolutions.com.au

BRACING BAR CUSTOM SIZE

Description	<ul style="list-style-type: none"> <li>a bracing bar across the top of the enclosure can stabilise an oversized panel</li> <li>custom lengths and angles available on request, lead time applies</li> </ul>
Material finish	<ul style="list-style-type: none"> <li>polished or satin chrome</li> <li>special finishes on request, lead time applies</li> </ul>

Item number	BAR A
Description	<ul style="list-style-type: none"> <li>bracing bar custom size side panel to return</li> <li>16mm square pole</li> <li>mounted on glass</li> </ul>

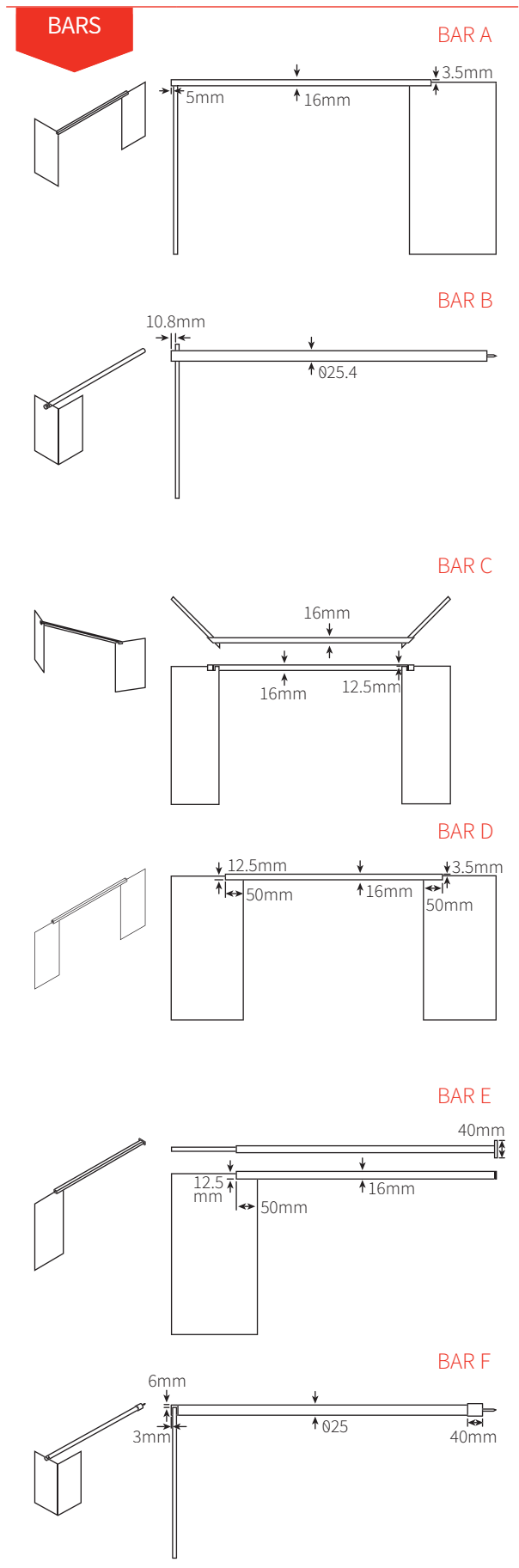
Item number	BAR B
Description	<ul style="list-style-type: none"> <li>bracing bar custom size wall to return</li> <li>25mm round diameter pole</li> <li>12mm diameter hole in glass</li> <li>mounted through glass</li> </ul>

Item number	BAR C
Description	<ul style="list-style-type: none"> <li>bracing bar custom size side panel to side panel - quad</li> <li>16mm square pole</li> <li>mounted on glass</li> </ul>

Item number	BAR D
Description	<ul style="list-style-type: none"> <li>bracing bar custom size side panel to side panel</li> <li>16mm square pole</li> <li>mounted on glass</li> </ul>

Item number	BAR E
Description	<ul style="list-style-type: none"> <li>bracing bar custom size wall to side panel</li> <li>16mm square pole</li> <li>mounted on glass</li> </ul>

Item number	BAR F
Description	<ul style="list-style-type: none"> <li>bracing bar custom size wall to return panel</li> <li>25mm round pole</li> <li>mounted on glass</li> </ul>



ELITE GLASS SOLUTIONS

**HEAD OFFICE**  
114 Endeavour Way  
Sunshine West  
VIC 3020 Australia

**ADELAIDE OFFICE**  
7 Manfull Street  
Melrose Park  
SA 5039 Australia

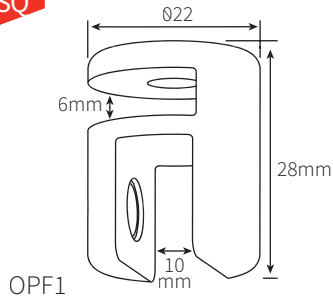
1300 4 ELITE | 03 9314 6105  
sales@eliteglassolutions.com.au  
www.eliteglassolutions.com.au



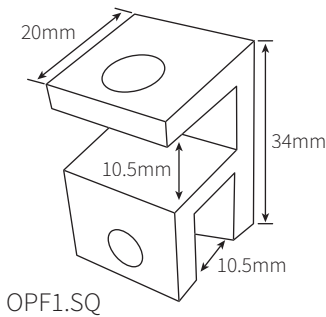
OVERPANEL FITTINGS

Item number	<ul style="list-style-type: none"> <li>OPF1 - round profile</li> <li>OPF1.SQ - square profile</li> <li>OPF2 - round profile</li> <li>OPF2.SQ - square profile</li> </ul>
Description	<ul style="list-style-type: none"> <li>overpanel fittings</li> <li>fixed to glass by teflon tipped grub screws</li> </ul>
Suitable for	<ul style="list-style-type: none"> <li>10mm fixed panel with 6mm overpanel (OPF1)</li> <li>10mm fixed panel with 10mm overpanel (OPF2)</li> </ul>
Material finish	<ul style="list-style-type: none"> <li>polished or satin chrome</li> <li>ORB</li> </ul>

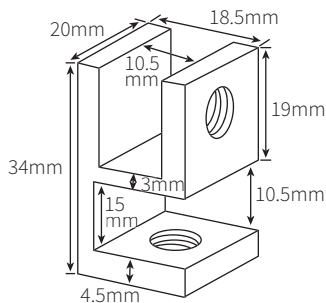
OPF1/SQ  
OPF2/SQ



OPF1



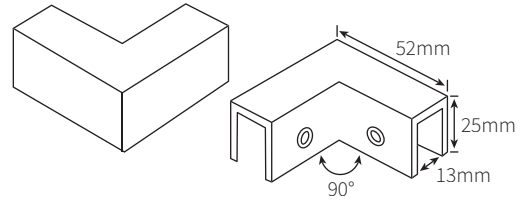
OPF1.SQ



OVERPANEL 90° FITTING

Item number	SF.M003
Description	<ul style="list-style-type: none"> <li>overpanel 90° fitting</li> </ul>
Material finish	<ul style="list-style-type: none"> <li>polished or satin chrome</li> <li>oil rubbed bronze</li> </ul>

SF.M003



SF.M003



ELITE GLASS SOLUTIONS

HEAD OFFICE  
114 Endeavour Way  
Sunshine West  
VIC 3020 Australia

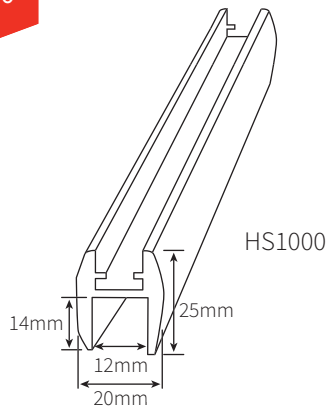
ADELAIDE OFFICE  
7 Manfull Street  
Melrose Park  
SA 5039 Australia

1300 4 ELITE | 03 9314 6105  
sales@eliteglassolutions.com.au  
www.eliteglassolutions.com.au

**HEADER SYSTEM ALUMINIUM PROFILE**

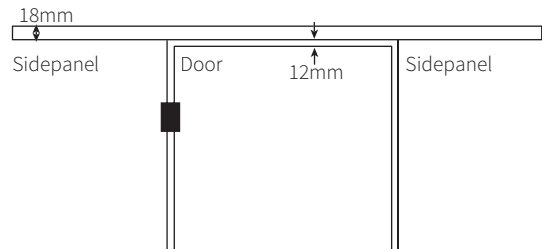
Item number	HS1000
Description	<ul style="list-style-type: none"> <li>header system aluminium profile</li> <li>3.2 meter lengths</li> <li>complete header for bracing of inline 90° and 135° shower configurations</li> <li>manufactured in aluminium</li> </ul>
Material finish	<ul style="list-style-type: none"> <li>bright silver and gold anodised</li> <li>white powdercoat</li> </ul>

HS1000



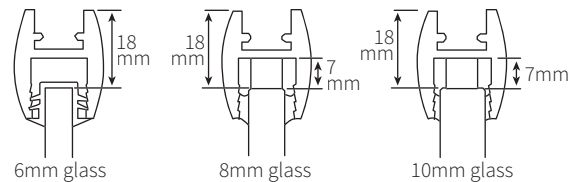
**HEADER SYSTEM ALUMINIUM GLASS DEDUCTIONS AND CLEARANCES**

HS1000



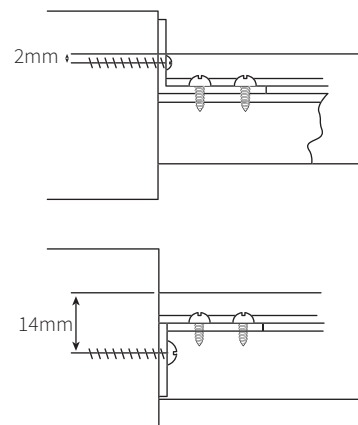
Top of aluminium header to top of fixed side panels = 18mm

Deduction off door from sidepanel to swing under aluminium header = 12mm



A spacer of less than 7mm can be used in 8mm and 10mm glass applications, however, the deduction to the door (12mm as shown) will need to be increased when measured from the sidepanels to compensate for the smaller spacer

**WALL BRACKET DETAIL**



**ELITE GLASS SOLUTIONS**

**HEAD OFFICE**  
114 Endeavour Way  
Sunshine West  
VIC 3020 Australia

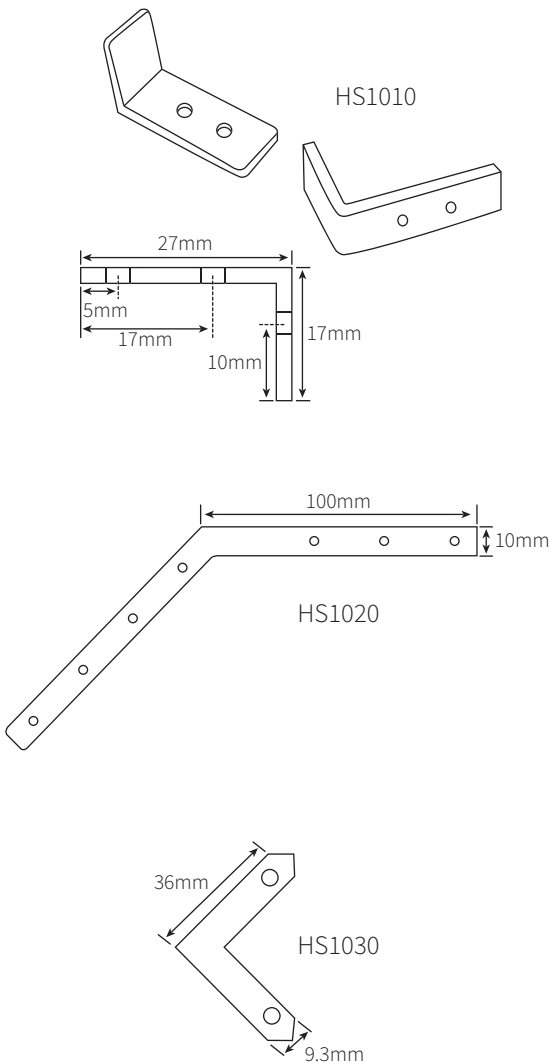
**ADELAIDE OFFICE**  
7 Manfull Street  
Melrose Park  
SA 5039 Australia

1300 4 ELITE | 03 9314 6105  
sales@eliteglassolutions.com.au  
www.eliteglassolutions.com.au

**HEADER SYSTEM ALUMINIUM**  
FIXING BRACKETS

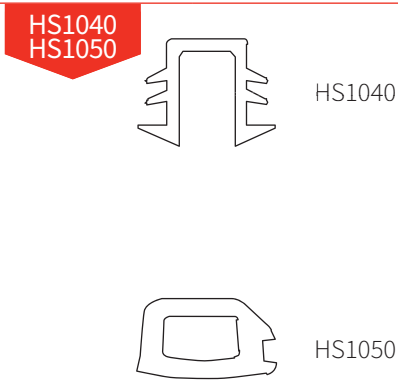
Item number	<ul style="list-style-type: none"> <li>• HS1010 - wall bracket</li> <li>• HS1020 - 135° bracket</li> <li>• HS1030 - 90° bracket</li> </ul>
Description	<ul style="list-style-type: none"> <li>• header system aluminium fixing brackets</li> <li>• sold per piece</li> </ul>
Material finish	<ul style="list-style-type: none"> <li>• bright silver and gold anodised</li> <li>• white powdercoat</li> </ul>

HS10/10  
/20/30



**HEADER SYSTEM ALUMINIUM**  
GLAZING WEDGE AND INFILLS

Item number	<ul style="list-style-type: none"> <li>• HS1040 - glazing vinyl</li> <li>• HS1050 - infill strip</li> </ul>
Description	<ul style="list-style-type: none"> <li>• header system aluminium glazing wedge and infill</li> <li>• comes in 10 meter rolls</li> </ul>



**ELITE GLASS SOLUTIONS**

**HEAD OFFICE**  
114 Endeavour Way  
Sunshine West  
VIC 3020 Australia

**ADELAIDE OFFICE**  
7 Manfull Street  
Melrose Park  
SA 5039 Australia

1300 4 ELITE | 03 9314 6105  
sales@eliteglassolutions.com.au  
www.eliteglassolutions.com.au

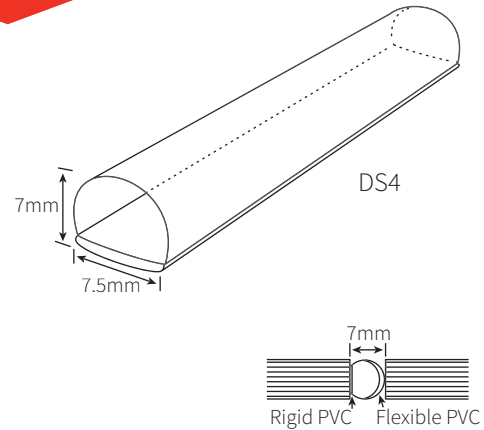
DOOR SEALS,  
WATER SEALS  
AND CHANNELS



DOOR SEAL D SHAPED

Item number	DS4
Description	<ul style="list-style-type: none"> <li>• door seal D shaped</li> <li>• rigid back PVC with flexible PVC seal</li> <li>• 2 meter length</li> </ul>
Material finish	• clear PVC

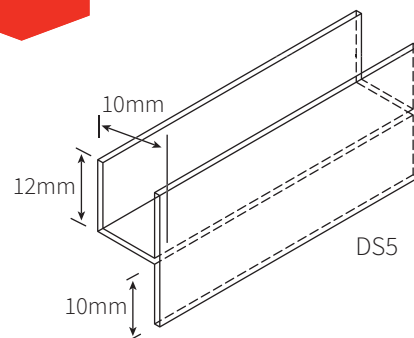
DS4



DOOR SEAL CLEAR

Item number	DS5
Description	<ul style="list-style-type: none"> <li>• door seal clear</li> <li>• 2.2 meter length</li> </ul>
Suitable for	• 10mm glass thickness
Material finish	• clear plastic

DS5



ELITE GLASS  
SOLUTIONS

**HEAD OFFICE**  
114 Endeavour Way  
Sunshine West  
VIC 3020 Australia

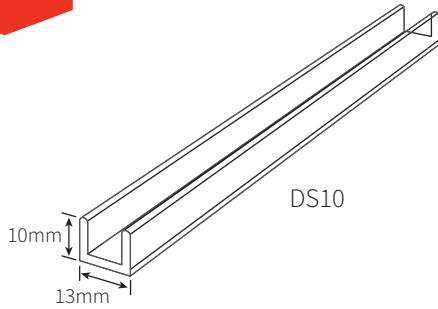
**ADELAIDE OFFICE**  
7 Manfull Street  
Melrose Park  
SA 5039 Australia

1300 4 ELITE | 03 9314 6105  
sales@eliteglassolutions.com.au  
www.eliteglassolutions.com.au

DOOR SEAL U CHANNEL

Item number	DS10
Description	<ul style="list-style-type: none"> <li>• door seal U channel</li> <li>• 2 meter length</li> </ul>
Suitable for	<ul style="list-style-type: none"> <li>• 10mm glass thickness</li> </ul>
Material finish	<ul style="list-style-type: none"> <li>• clear plastic</li> </ul>

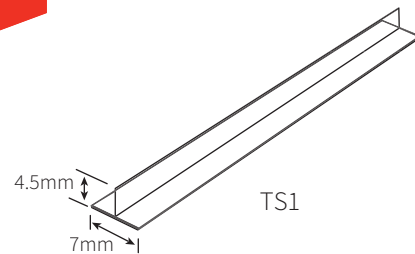
DS10



DOOR SEAL T SHAPED

Item number	TS1
Description	<ul style="list-style-type: none"> <li>• door seal T shaped</li> <li>• 2 meter length</li> <li>• rigid back PVC with flexible PVC seal</li> </ul>
Material finish	<ul style="list-style-type: none"> <li>• clear PVC</li> </ul>

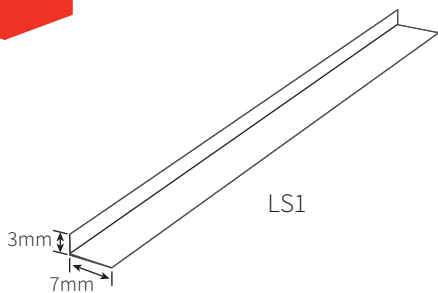
TS1



DOOR SEAL L SHAPED

Item number	LS1
Description	<ul style="list-style-type: none"> <li>• door seal L shaped</li> <li>• 2 meter length</li> <li>• rigid back PVC with flexible PVC seal</li> </ul>
Material finish	<ul style="list-style-type: none"> <li>• clear PVC</li> </ul>

LS1



**ELITE GLASS SOLUTIONS**

**HEAD OFFICE**  
114 Endeavour Way  
Sunshine West  
VIC 3020 Australia

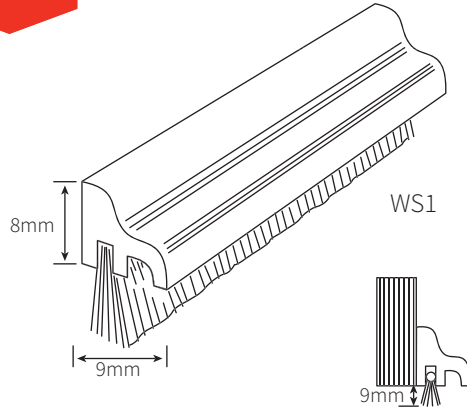
**ADELAIDE OFFICE**  
7 Manfull Street  
Melrose Park  
SA 5039 Australia

1300 4 ELITE | 03 9314 6105  
sales@eliteglassolutions.com.au  
www.eliteglassolutions.com.au

**WATER SEAL WITH FELT INSERT**

Item number	WS1
Description	<ul style="list-style-type: none"> <li>• water seal with felt insert</li> <li>• 2 meter length</li> </ul>
Material finish	<ul style="list-style-type: none"> <li>• satin or polished silver anodised</li> <li>• special finishes on request, lead time applies</li> </ul>

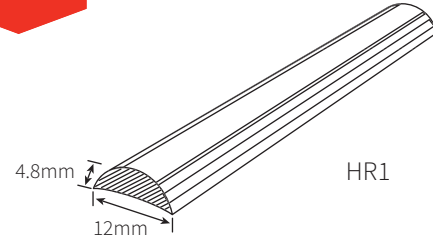
WS1



**WATER SEAL ALUMINIUM**

Item number	HR1
Description	<ul style="list-style-type: none"> <li>• water seal aluminium</li> <li>• 1.5 meter length</li> </ul>
Material finish	<ul style="list-style-type: none"> <li>• satin or polished silver anodised</li> <li>• special finishes on request, lead time applies</li> </ul>

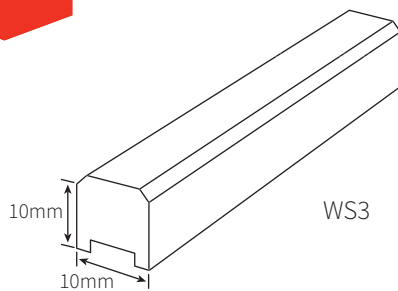
HR1



**WATER SEAL WATERBAR SECTION**

Item number	WS3
Description	<ul style="list-style-type: none"> <li>• water seal waterbar section</li> <li>• 3 meter length</li> </ul>
Material finish	<ul style="list-style-type: none"> <li>• satin or polished silver anodised</li> <li>• special finishes on request, lead time applies</li> </ul>

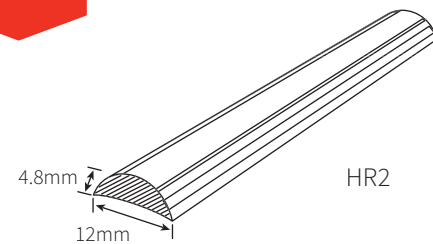
WS3



**WATER SEAL CLEAR ACRYLIC**

Item number	HR2
Description	<ul style="list-style-type: none"> <li>• water seal clear</li> <li>• 1.5 meter length</li> </ul>
Material finish	<ul style="list-style-type: none"> <li>• clear acrylic</li> </ul>

HR2



**HEAD OFFICE**  
114 Endeavour Way  
Sunshine West  
VIC 3020 Australia

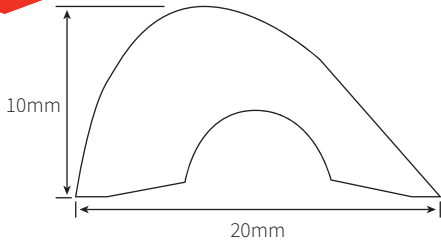
**ADELAIDE OFFICE**  
7 Manfull Street  
Melrose Park  
SA 5039 Australia

1300 4 ELITE | 03 9314 6105  
sales@eliteglassolutions.com.au  
www.eliteglassolutions.com.au

**WATERBAR OFFSET ROUND**

Item number	MWB10
Description	<ul style="list-style-type: none"> <li>• waterbar offset</li> <li>• 2.1 meter length</li> </ul>
Material finish	<ul style="list-style-type: none"> <li>• polished silver and gold and matt silver</li> </ul>

MWB10

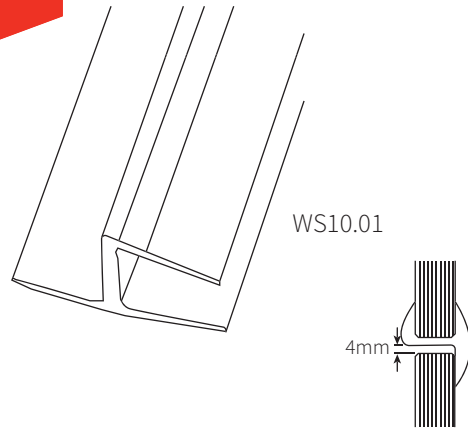


MWB10

**WATER SEAL RIGID CLEAR PVC**

Item number	WS10.01
Description	<ul style="list-style-type: none"> <li>• water seal rigid clear PVC</li> <li>• 2 meter length</li> </ul>
Suitable for	• 8mm and 10mm glass thickness
Material finish	• clear PVC

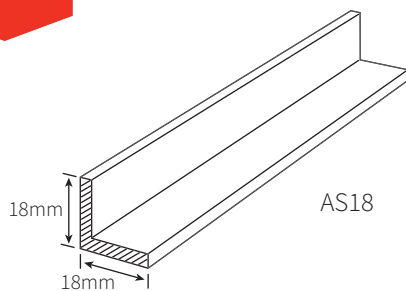
WS10.01



**WATER SEAL ANGLE SECTION 18MM HEIGHT**

Item number	AS18
Description	<ul style="list-style-type: none"> <li>• water seal angle section 18mm x 18mm</li> <li>• aluminium extrusion</li> <li>• 3 meter length</li> </ul>
Material finish	<ul style="list-style-type: none"> <li>• polished silver anodised</li> <li>• powdercoat</li> </ul>

AS18

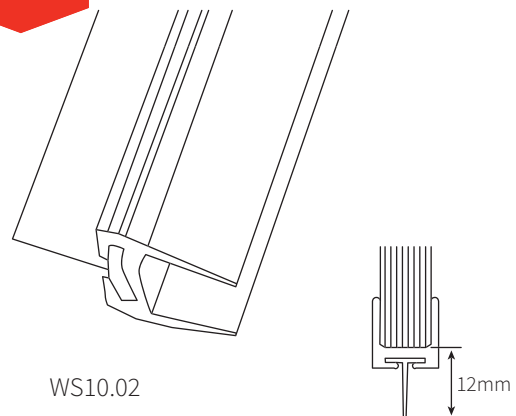


AS18

**WATER SEAL RIGID CLEAR PVC WITH REMOVABLE FLEXIBLE FIN**

Item number	WS10.02
Description	<ul style="list-style-type: none"> <li>• water seal rigid clear PVC with removable flexible fin</li> <li>• 2.2 meter length</li> </ul>
Suitable for	• 8mm and 10mm glass thickness
Material finish	• clear PVC

WS10.02



WS10.02



**ELITE GLASS SOLUTIONS**

**HEAD OFFICE**  
114 Endeavour Way  
Sunshine West  
VIC 3020 Australia

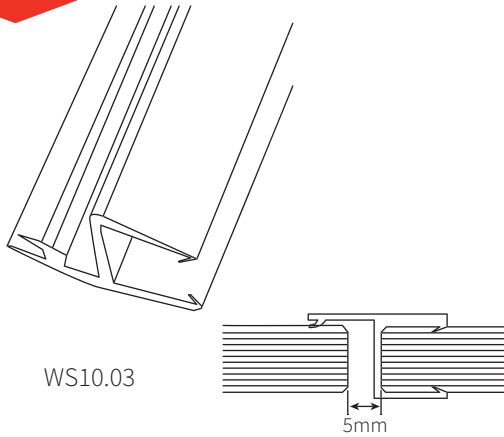
**ADELAIDE OFFICE**  
7 Manfull Street  
Melrose Park  
SA 5039 Australia

1300 4 ELITE | 03 9314 6105  
sales@eliteglassolutions.com.au  
www.eliteglassolutions.com.au

**WATER SEAL RIGID/FLEXIBLE CLEAR PVC**  
180° DOOR/SIDELIGHT APPLICATION

Item number	WS10.03
Description	<ul style="list-style-type: none"> <li>• water seal rigid/flexible clear pvc 180° door/sidelight application</li> <li>• 2.2 meter length</li> </ul>
Suitable for	• 8mm and 10mm glass thickness
Material finish	• clear PVC

WS10.03

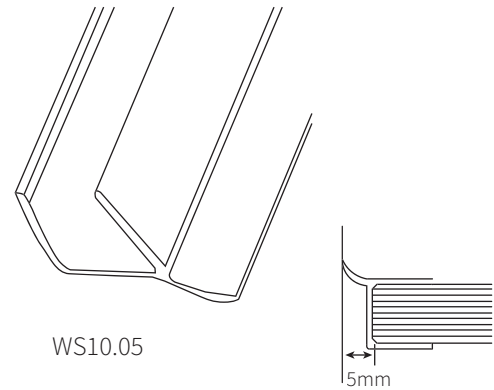


WS10.03

**WATER SEAL RIGID/FLEXIBLE CLEAR PVC**  
90° DOOR TO WALL APPLICATION

Item number	WS10.05
Description	<ul style="list-style-type: none"> <li>• water seal rigid/flexible clear pvc 90° door to wall application</li> <li>• 2.2 meter length</li> </ul>
Suitable for	• 8mm and 10mm glass thickness
Material finish	• clear PVC

WS10.05

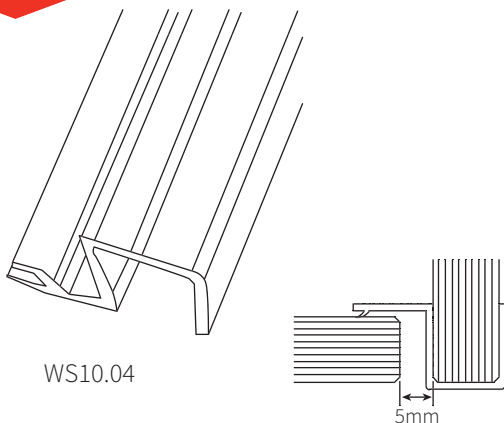


WS10.05

**WATER SEAL RIGID/FLEXIBLE CLEAR PVC**  
90° DOOR/SIDELIGHT APPLICATION

Item number	WS10.04
Description	<ul style="list-style-type: none"> <li>• water seal rigid/flexible clear pvc 90° door/sidelight application</li> <li>• 2.2 meter length</li> </ul>
Suitable for	• 8mm and 10mm glass thickness
Material finish	• clear PVC

WS10.04

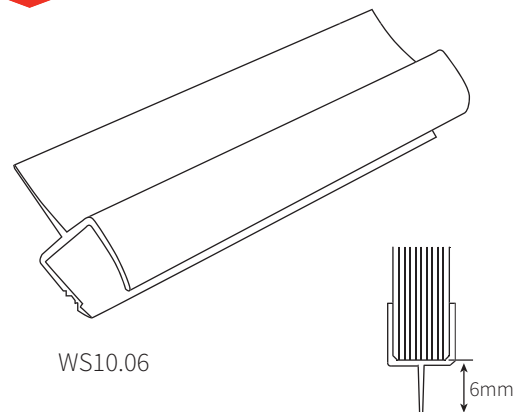


WS10.04

**WATER SEAL RIGID CLEAR PVC**  
CLIP WITH FLEXIBLE FIN

Item number	WS10.06
Description	<ul style="list-style-type: none"> <li>• water seal rigid clear pvc clip with flexible fin</li> <li>• 2.2 meter length</li> </ul>
Suitable for	• 8mm and 10mm glass thickness
Material finish	• clear PVC

WS10.06



WS10.06



**ELITE GLASS SOLUTIONS**

**HEAD OFFICE**  
114 Endeavour Way  
Sunshine West  
VIC 3020 Australia

**ADELAIDE OFFICE**  
7 Manfull Street  
Melrose Park  
SA 5039 Australia

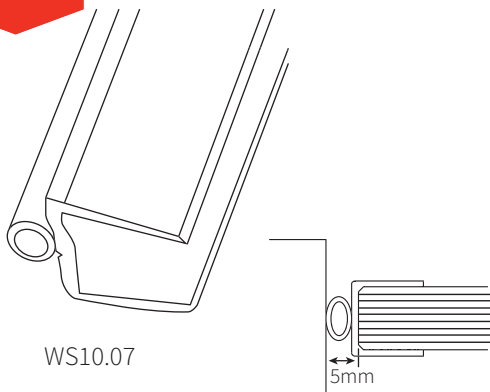
1300 4 ELITE | 03 9314 6105  
sales@eliteglassolutions.com.au  
www.eliteglassolutions.com.au



**WATER SEAL** RIGID CLEAR PVC WITH FLEXIBLE ROUND BULB SECTION FOR DOOR TO WALL OR DOOR TO SIDELIGHT APPLICATION

Item number	WS10.07
Description	<ul style="list-style-type: none"> <li>• water seal rigid clear pvc with flexible round bulb section for door to wall or door to sidelight application</li> <li>• 2.2 meter length</li> </ul>
Suitable for	• 8mm and 10mm glass thickness
Material finish	• clear PVC

WS10.07

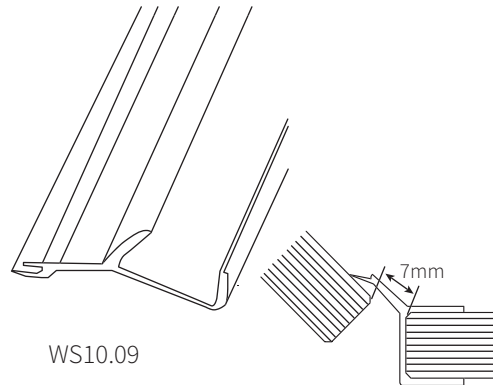


WS10.07

**WATER SEAL** RIGID/FLEXIBLE CLEAR PVC SUITABLE FOR 135° APPLICATIONS

Item number	WS10.09
Description	<ul style="list-style-type: none"> <li>• water seal rigid/flexible clear pvc suitable for 135° door/sidelight applications</li> <li>• 2.2 meter length</li> </ul>
Suitable for	• 8mm and 10mm glass thickness
Material finish	• clear PVC

WS10.09

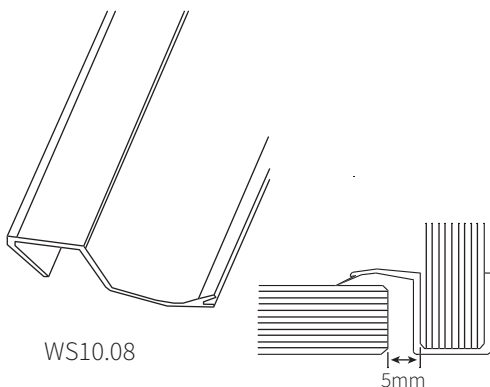


WS10.09

**WATER SEAL** RIGID/FLEXIBLE CLEAR PVC SUITABLE FOR 90° APPLICATIONS

Item number	WS10.08
Description	<ul style="list-style-type: none"> <li>• water seal rigid/flexible clear pvc suitable for 90° applications</li> <li>• 2.2 meter length</li> </ul>
Suitable for	• 8mm and 10mm glass thickness
Material finish	• clear PVC

WS10.08

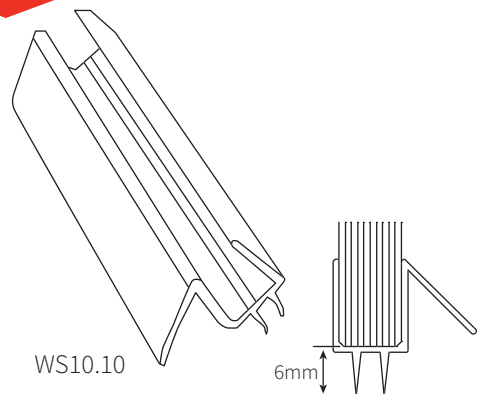


WS10.08

**WATER SEAL** RIGID CLEAR PVC CLIP WITH DUAL FLEXIBLE FINS

Item number	WS10.10
Description	<ul style="list-style-type: none"> <li>• water seal rigid clear pvc clip with dual flexible fins for sealing underneath doors</li> <li>• 2.2 meter length</li> </ul>
Suitable for	• 8mm and 10mm glass thickness
Material finish	• clear PVC

WS10.10



WS10.10



**ELITE GLASS SOLUTIONS**

**HEAD OFFICE**  
114 Endeavour Way  
Sunshine West  
VIC 3020 Australia

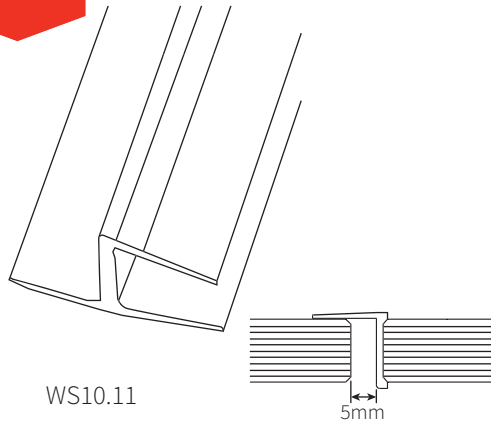
**ADELAIDE OFFICE**  
7 Manfull Street  
Melrose Park  
SA 5039 Australia

1300 4 ELITE | 03 9314 6105  
sales@eliteglassolutions.com.au  
www.eliteglassolutions.com.au

**WATER SEAL RIGID CLEAR PVC CLIP WITH PVC FIN FOR 180° APPLICATIONS**

Item number	WS10.11
Description	<ul style="list-style-type: none"> <li>• water seal rigid clear pvc clip with pvc fin for 180° applications</li> <li>• 2.2 meter length</li> </ul>
Suitable for	• 8mm and 10mm glass thickness
Material finish	• clear PVC

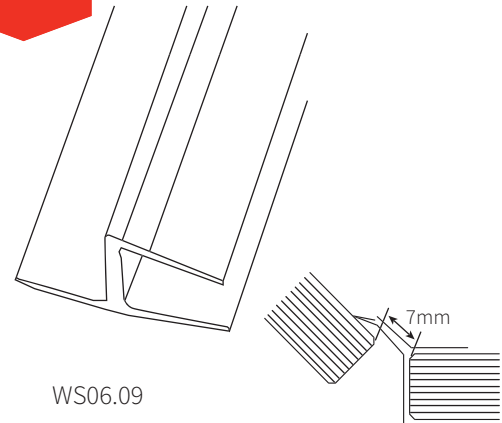
WS10.11



**WATER SEAL RIGID/FLEXIBLE CLEAR PVC FOR 135° DOOR TO SIDEPANEL APPLICATION**

Item number	WS06.09
Description	<ul style="list-style-type: none"> <li>• water seal rigid/flexible clear pvc for 135° door to sidepanel application</li> <li>• 2.2 meter length</li> </ul>
Suitable for	• 6mm glass thickness
Material finish	• clear PVC

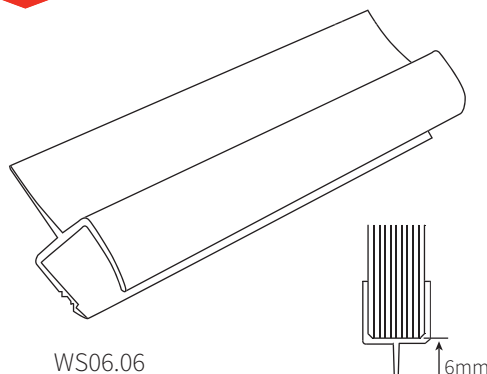
WS06.09



**WATER SEAL RIGID/FLEXIBLE CLEAR PVC FOR 135° DOOR TO SIDEPANEL APPLICATION**

Item number	WS06.06
Description	<ul style="list-style-type: none"> <li>• water seal rigid/flexible clear pvc for 135° door to sidepanel application</li> <li>• 2.2 meter length</li> </ul>
Suitable for	• 6mm glass thickness
Material finish	• clear PVC

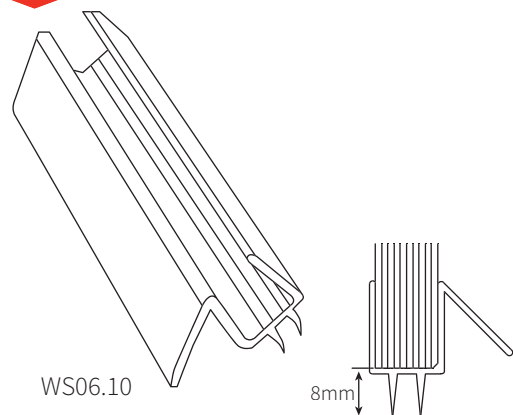
WS06.06



**WATER SEAL RIGID/FLEXIBLE CLEAR PVC FOR 135° DOOR TO SIDEPANEL APPLICATION**

Item number	WS06.10
Description	<ul style="list-style-type: none"> <li>• water seal rigid/flexible clear pvc for 135° door to sidepanel application</li> <li>• 2.2 meter length</li> </ul>
Suitable for	• 6mm glass thickness
Material finish	• clear PVC

WS06.10



**HEAD OFFICE**  
114 Endeavour Way  
Sunshine West  
VIC 3020 Australia

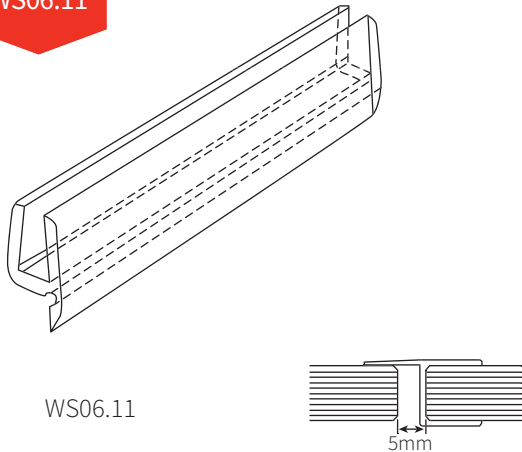
**ADELAIDE OFFICE**  
7 Manfull Street  
Melrose Park  
SA 5039 Australia

1300 4 ELITE | 03 9314 6105  
sales@eliteglassolutions.com.au  
www.eliteglassolutions.com.au

**WATER SEAL RIGID/FLEXIBLE CLEAR PVC FOR BOTH 180° GLASS TO GLASS AND UNDERNEATH DOORS**

Item number	WS06.11
Description	<ul style="list-style-type: none"> <li>• water seal rigid/flexible clear pvc for both 180° glass to glass and underneath doors</li> <li>• 2.5 meter length</li> </ul>
Suitable for	• 6mm glass thickness
Material finish	• clear PVC

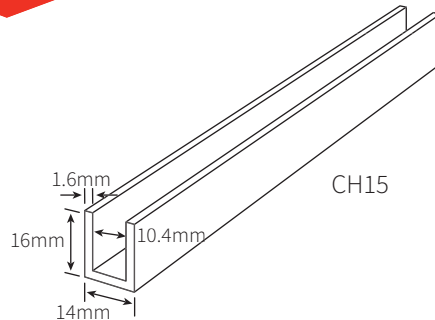
WS06.11



**CHANNEL ALUMINIUM SHOWER GLAZING CHANNEL 15MM**

Item number	CH15
Description	<ul style="list-style-type: none"> <li>• channel aluminium shower glazing channel 15mm</li> <li>• extruded aluminium</li> <li>• 3 meter lengths</li> </ul>
Suitable for	• 10mm glass thickness
Material finish	<ul style="list-style-type: none"> <li>• polished or satin anodised</li> <li>• special finishes on request, lead time applies</li> </ul>

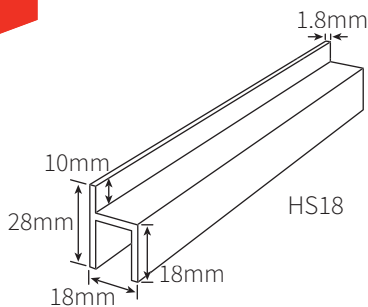
CH15



**CHANNEL ALUMINIUM SHOWER GLAZING CHANNEL 18MM**

Item number	HS18
Description	<ul style="list-style-type: none"> <li>• channel aluminium shower glazing channel 18mm</li> <li>• 2.1 and 3 meter lengths</li> </ul>
Suitable for	• 12mm glass thickness
Material finish	<ul style="list-style-type: none"> <li>• polished or satin anodised</li> <li>• special finishes on request, lead time applies</li> </ul>

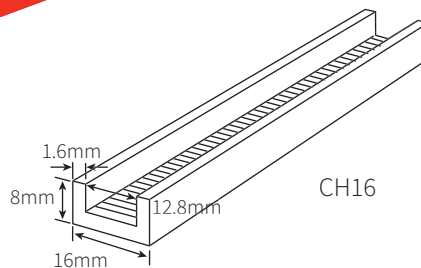
HS18



**CHANNEL ALUMINIUM LOW PROFILE 16MM**

Item number	CH16
Description	<ul style="list-style-type: none"> <li>• channel aluminium low profile 16mm</li> <li>• extruded aluminium</li> <li>• 2.5 meter lengths</li> </ul>
Suitable for	• 12mm glass thickness
Material finish	<ul style="list-style-type: none"> <li>• polished or satin anodised</li> <li>• special finishes on request, lead time applies</li> </ul>

CH16



**ELITE GLASS SOLUTIONS**

**HEAD OFFICE**  
114 Endeavour Way  
Sunshine West  
VIC 3020 Australia

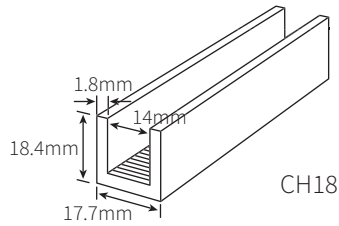
**ADELAIDE OFFICE**  
7 Manfull Street  
Melrose Park  
SA 5039 Australia

1300 4 ELITE | 03 9314 6105  
sales@eliteglassolutions.com.au  
www.eliteglassolutions.com.au

**CHANNEL ALUMINIUM SHOWER  
GLAZING CHANNEL 18MM**

Item number	CH18
Description	<ul style="list-style-type: none"> <li>channel aluminium shower glazing channel 18mm</li> <li>2.1 and 3 meter lengths</li> </ul>
Suitable for	<ul style="list-style-type: none"> <li>12mm glass thickness</li> </ul>
Material finish	<ul style="list-style-type: none"> <li>polished or satin anodised</li> <li>special finishes on request, lead time applies</li> </ul>

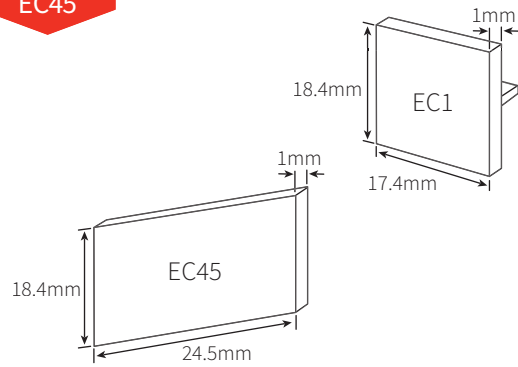
CH18



**END CAPS**

Item number	<ul style="list-style-type: none"> <li>EC1</li> <li>EC45</li> </ul>
Description	<ul style="list-style-type: none"> <li>end caps</li> <li>extruded aluminium</li> </ul>
Suitable for	<ul style="list-style-type: none"> <li>CH18 (EC1)</li> <li>45° mitre CH18/CH25 (EC45)</li> </ul>
Material finish	<ul style="list-style-type: none"> <li>polished or satin anodised</li> <li>special finishes on request, lead time applies</li> </ul>

EC1  
EC45



**ELITE GLASS  
SOLUTIONS**

**HEAD OFFICE**  
114 Endeavour Way  
Sunshine West  
VIC 3020 Australia

**ADELAIDE OFFICE**  
7 Manfull Street  
Melrose Park  
SA 5039 Australia

1300 4 ELITE | 03 9314 6105  
sales@eliteglassolutions.com.au  
www.eliteglassolutions.com.au

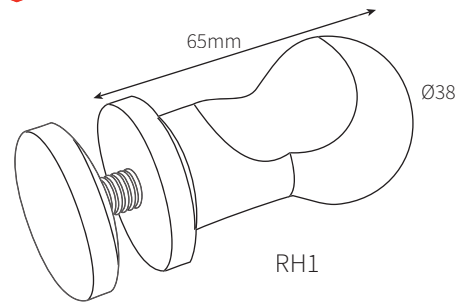
## ACCESSORIES



## ROBE HOOK

Item number	RH1
Description	<ul style="list-style-type: none"> <li>robe hook</li> <li>manufactured in solid brass</li> <li>38mm diameter</li> </ul>
Material finish	<ul style="list-style-type: none"> <li>polished or satin chrome</li> </ul>

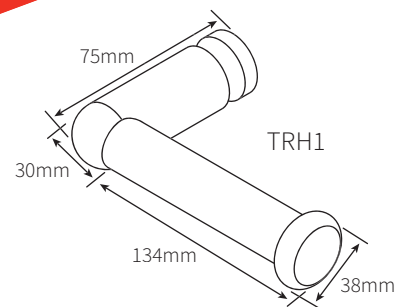
RH1



## TOILET ROLL HOLDER

Item number	TRH1
Description	<ul style="list-style-type: none"> <li>toilet roll holder</li> <li>manufactured in solid brass with 134mm x 25mm diameter glass rod</li> <li>can be glue fixed</li> </ul>
Material finish	<ul style="list-style-type: none"> <li>polished chrome</li> </ul>

TRH1



**ELITE GLASS  
SOLUTIONS**

**HEAD OFFICE**  
114 Endeavour Way  
Sunshine West  
VIC 3020 Australia

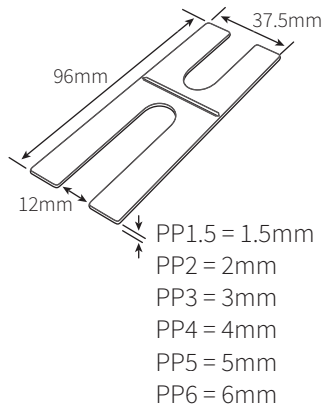
**ADELAIDE OFFICE**  
7 Manfull Street  
Melrose Park  
SA 5039 Australia

1300 4 ELITE | 03 9314 6105  
sales@eliteglassolutions.com.au  
www.eliteglassolutions.com.au

MEASURING PACKERS

Item number	<ul style="list-style-type: none"> <li>• PP1.5 - 1.5mm blue packer</li> <li>• PP2 - 2mm red packer</li> <li>• PP3 - 3mm orange packer</li> <li>• PP4 - 4mm green packer</li> <li>• PP5 - 5mm grey packer</li> <li>• PP6 - 6mm black packer</li> </ul>
Description	<ul style="list-style-type: none"> <li>• measuring packers</li> <li>• available in 1.5mm, 2mm, 3mm, 4mm, 5mm and 6mm thicknesses</li> </ul>
Material finish	<ul style="list-style-type: none"> <li>• polished chrome</li> </ul>

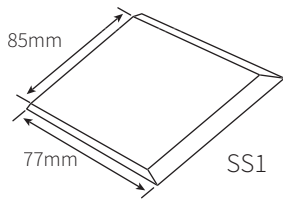
PP



SILICONE SPATULA

Item number	SS1
Description	<ul style="list-style-type: none"> <li>• polyurethane silicone spatulas for finishing off silicone butt joints</li> </ul>

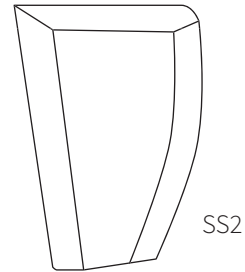
SS1



SILICONE SPATULA

Item number	SS2
Description	<ul style="list-style-type: none"> <li>• polyurethane silicone spatulas for finishing off silicone butt joints</li> </ul>

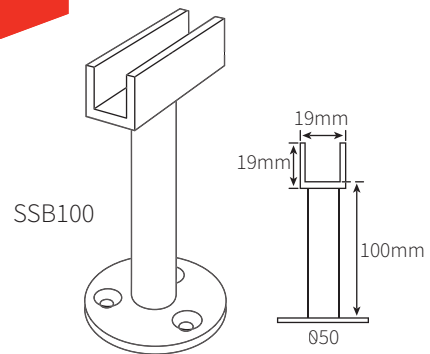
SS2



SHOWER SUPPORT BRACKET

Item number	SSB100
Description	<ul style="list-style-type: none"> <li>• shower support bracket</li> <li>• supplied standard at 100mm to FFL</li> <li>• custom sizes made to order</li> </ul>
Suitable for	<ul style="list-style-type: none"> <li>• installing fixed panels</li> </ul>
Material finish	<ul style="list-style-type: none"> <li>• polished or satin chrome</li> <li>• special finishes on request, lead time applies</li> </ul>

SSB100



**HEAD OFFICE**  
 114 Endeavour Way  
 Sunshine West  
 VIC 3020 Australia

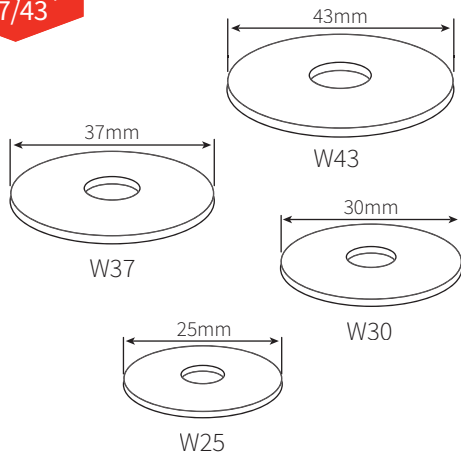
**ADELAIDE OFFICE**  
 7 Manfull Street  
 Melrose Park  
 SA 5039 Australia

1300 4 ELITE | 03 9314 6105  
 sales@eliteglassolutions.com.au  
 www.eliteglassolutions.com.au

WASHERS

Item number	<ul style="list-style-type: none"> <li>• W25 - 25mm diameter</li> <li>• W30 - 30mm diameter</li> <li>• W37 - 37mm diameter</li> <li>• W43 - 43mm diameter</li> </ul>
Description	<ul style="list-style-type: none"> <li>• washers available in 25mm, 30mm, 37mm and 43mm diameter</li> <li>• 2mm thickness</li> <li>• manufactured in solid brass</li> </ul>
Suitable for	<ul style="list-style-type: none"> <li>• SK60 knob (W25)</li> <li>• SK40 knob, SH and TRK handles (W30)</li> <li>• modern handle (W37)</li> <li>• SK80 knob and classic handle (W43)</li> </ul>
Material finish	<ul style="list-style-type: none"> <li>• polished or satin chrome</li> <li>• special finishes on request, lead time applies</li> </ul>

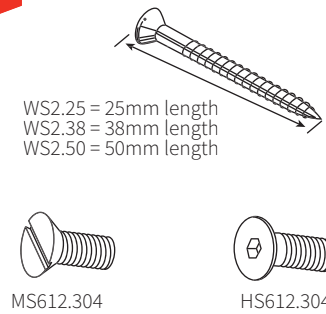
W25/30/  
37/43



SCREWS

Item number	<ul style="list-style-type: none"> <li>• WS2.25 - wood screw 25mm length</li> <li>• WS2.38 - wood screw 38mm length</li> <li>• WS2.50 - wood screw 50mm length</li> <li>• MS612.304 - machine screw</li> <li>• HS612.304 - hex screw</li> </ul>
Description	<ul style="list-style-type: none"> <li>• wood screws available in 25mm, 39mm and 50mm lengths</li> <li>• machine and hex screws</li> </ul>
Suitable for	<ul style="list-style-type: none"> <li>• ES hinges (machine and hex screws)</li> </ul>
Material finish	<ul style="list-style-type: none"> <li>• polished stainless</li> <li>• satin chrome</li> <li>• special finishes on request, lead time applies</li> </ul>

WS/MS/HS



ELITE GLASS SOLUTIONS

HEAD OFFICE  
114 Endeavour Way  
Sunshine West  
VIC 3020 Australia

ADELAIDE OFFICE  
7 Manfull Street  
Melrose Park  
SA 5039 Australia

1300 4 ELITE | 03 9314 6105  
sales@eliteglassolutions.com.au  
www.eliteglassolutions.com.au

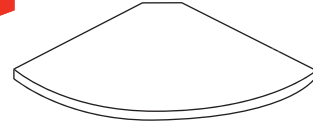


GLASS SHELVES

GLASS SHELF CORNER 150MM RADIUS

Item number	GS150
Description	<ul style="list-style-type: none"> <li>• glass shelf corner</li> <li>• 150mm radius</li> </ul>
Material finish	<ul style="list-style-type: none"> <li>• 10mm toughened clear glass</li> </ul>

GS150

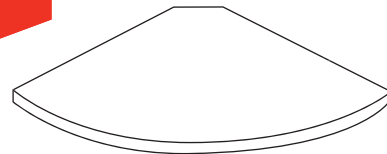


GS150

GLASS SHELF CORNER 200MM RADIUS

Item number	<ul style="list-style-type: none"> <li>• GS200.CFL - clear glass</li> <li>• GS200.LOW - low iron glass</li> </ul>
Description	<ul style="list-style-type: none"> <li>• glass shelf corner</li> <li>• 200mm radius</li> </ul>
Material finish	<ul style="list-style-type: none"> <li>• 10mm toughened clear glass</li> <li>• 10mm toughened diamant low iron glass</li> </ul>

GS200

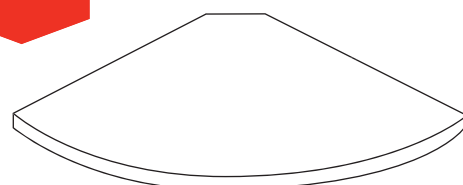


GS200

GLASS SHELF CORNER 250MM RADIUS

Item number	<ul style="list-style-type: none"> <li>• GS250.CFL - clear glass</li> <li>• GS250.LOW - low iron glass</li> </ul>
Description	<ul style="list-style-type: none"> <li>• glass shelf corner</li> <li>• 250mm radius</li> </ul>
Material finish	<ul style="list-style-type: none"> <li>• 10mm toughened clear glass</li> <li>• 10mm toughened diamant low iron glass</li> </ul>

GS250



GS250



ELITE GLASS SOLUTIONS

HEAD OFFICE  
114 Endeavour Way  
Sunshine West  
VIC 3020 Australia

ADELAIDE OFFICE  
7 Manfull Street  
Melrose Park  
SA 5039 Australia

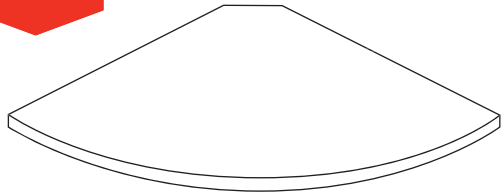
1300 4 ELITE | 03 9314 6105  
sales@eliteglassolutions.com.au  
www.eliteglassolutions.com.au



**GLASS SHELF CORNER 300MM RADIUS**

Item number	GS300
Description	<ul style="list-style-type: none"> <li>• glass shelf corner</li> <li>• 300mm radius</li> </ul>
Material finish	<ul style="list-style-type: none"> <li>• 10mm toughened clear glass</li> </ul>

GS300

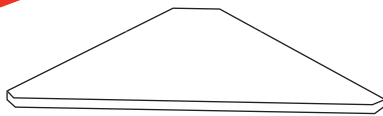


GS300

**GLASS SHELF CORNER 200MM ANGLED**

Item number	GSA200
Description	<ul style="list-style-type: none"> <li>• glass shelf corner angled</li> <li>• 200mm angled</li> </ul>
Material finish	<ul style="list-style-type: none"> <li>• 10mm toughened clear glass</li> </ul>

GSA200

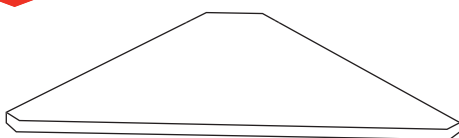


GSA200

**GLASS SHELF CORNER 250MM ANGLED**

Item number	GSA250
Description	<ul style="list-style-type: none"> <li>• glass shelf corner angled</li> <li>• 250mm angled</li> </ul>
Material finish	<ul style="list-style-type: none"> <li>• 10mm toughened clear glass</li> </ul>

GSA250

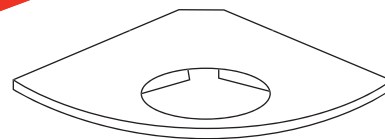


GSA250

**GLASS SHELF CORNER WITH SOAP AREA 200MM RADIUS**

Item number	<ul style="list-style-type: none"> <li>• GSS200.CFL - clear glass</li> <li>• GSS200.LOW - low iron glass</li> </ul>
Description	<ul style="list-style-type: none"> <li>• glass shelf corner with soap area</li> <li>• 200mm radius</li> <li>• polished recessed are for soap with drainage hole</li> </ul>
Material finish	<ul style="list-style-type: none"> <li>• 10mm toughened clear glass</li> <li>• 10mm toughened diamant low iron glass</li> </ul>

GSS200

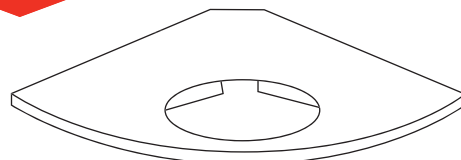


GSS200

**GLASS SHELF CORNER WITH SOAP AREA 250MM RADIUS**

Item number	<ul style="list-style-type: none"> <li>• GSS250.CFL - clear glass</li> <li>• GSS250.LOW - low iron glass</li> </ul>
Description	<ul style="list-style-type: none"> <li>• glass shelf corner with soap area</li> <li>• 250mm radius</li> <li>• polished recessed are for soap with drainage hole</li> </ul>
Material finish	<ul style="list-style-type: none"> <li>• 10mm toughened clear glass</li> <li>• 10mm toughened diamant low iron glass</li> </ul>

GSS250



GSS250



**ELITE GLASS SOLUTIONS**

**HEAD OFFICE**  
114 Endeavour Way  
Sunshine West  
VIC 3020 Australia

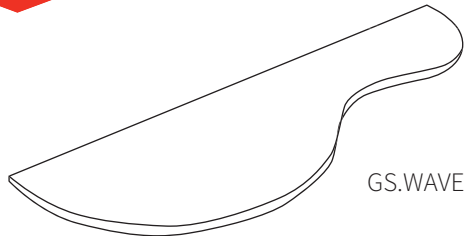
**ADELAIDE OFFICE**  
7 Manfull Street  
Melrose Park  
SA 5039 Australia

1300 4 ELITE | 03 9314 6105  
sales@eliteglassolutions.com.au  
www.eliteglassolutions.com.au

**GLASS SHELF CURVED WAVE**

Item number	GS.WAVE
Description	<ul style="list-style-type: none"> <li>• glass shelf curved wave</li> <li>• 100mm radius x 100mm length</li> <li>• available in 500mm and 600mm length</li> </ul>
Material finish	• 10mm toughened clear glass

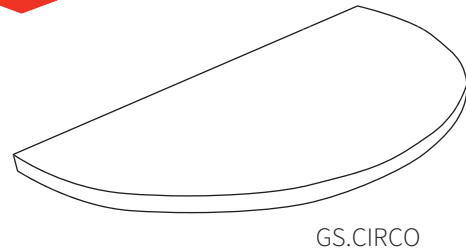
**GS.WAVE**



**GLASS SHELF HALF CIRCLE**

Item number	GS.CIRCO
Description	<ul style="list-style-type: none"> <li>• glass shelf half circle</li> <li>• 150mm radius x 300mm length</li> </ul>
Material finish	• 10mm toughened clear glass

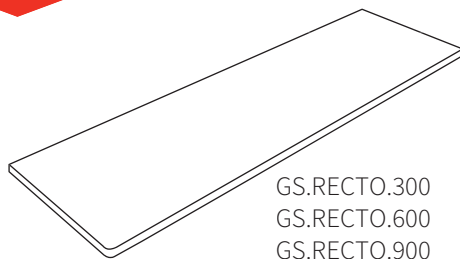
**GS.CIRCO**



**GLASS SHELF RECTANGLE**

Item number	<ul style="list-style-type: none"> <li>• GS.RECTO.300 - 300mm length</li> <li>• GS.RECTO.600 - 600mm length</li> <li>• GS.RECTO.900 - 900mm length</li> </ul>
Description	<ul style="list-style-type: none"> <li>• glass shelf rectangle</li> <li>• width 150mm</li> <li>• available in 300mm, 600mm and 900mm lengths</li> </ul>
Material finish	• 10mm toughened clear glass

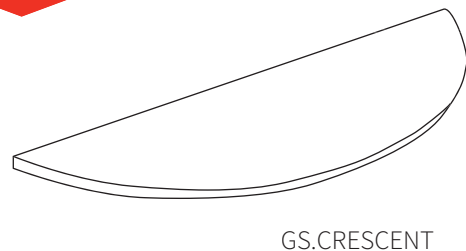
**GS.RECTO**



**GLASS SHELF CRESCENT**

Item number	GS.CRESCENT
Description	<ul style="list-style-type: none"> <li>• glass shelf crescent</li> <li>• 150mm radius x 500mm length</li> </ul>
Material finish	• 10mm toughened clear glass

**GS.CRESCENT**



**ELITE GLASS SOLUTIONS**

**HEAD OFFICE**  
114 Endeavour Way  
Sunshine West  
VIC 3020 Australia

**ADELAIDE OFFICE**  
7 Manfull Street  
Melrose Park  
SA 5039 Australia

1300 4 ELITE | 03 9314 6105  
sales@eliteglassolutions.com.au  
www.eliteglassolutions.com.au





**INSPIRED VISION**  
FOR FRAMELESS GLASS

## EUROGLASS WARRANTY INFORMATION

dated: 01 Mar 2015

### Shower Hardware

Euroglass guarantee our product against faulty workmanship or defective materials for a period of ten (10) years from the date of purchase. They will be replaced at no charge to the purchaser once the defect has been inspected and confirmed.

This warranty does not apply in respect of defects arising from the following:

1. If the product has been altered in any way.
2. The product has been subject to incorrect mechanical fixing techniques.
3. The product has been installed outside of the specifications of its use.
4. The product has been subject to abnormal stresses from loading, heat, building or foundation movement.
5. Faulty workmanship of any person in the installation of the product.
6. Defect in any framework or substrate to which the product has been installed supporting the product.

The replacement is solely for the product only, and Euroglass will not be liable for the dismantling at site, return or reassembly at site of the product, or to any structure to which it is affixed.

Repairs or replacements under this warranty do not extend the warranty period and do not initiate a new warranty period and the warranty period for any replacement parts ends together with the warranty for the entire product.

65 CARR ROAD, MT ROSKILL, AUCKLAND

CALL **09 624 1180**

FAX 09 624 2280

EMAIL [hardware@euroglass.co.nz](mailto:hardware@euroglass.co.nz)

WEB [www.euroglass.co.nz](http://www.euroglass.co.nz)