

ALUMINIUM AND GLASS **BALUSTRADES**



“THE EDGE” FROM ELITE



EDGE® BALUSTRADE SYSTEM

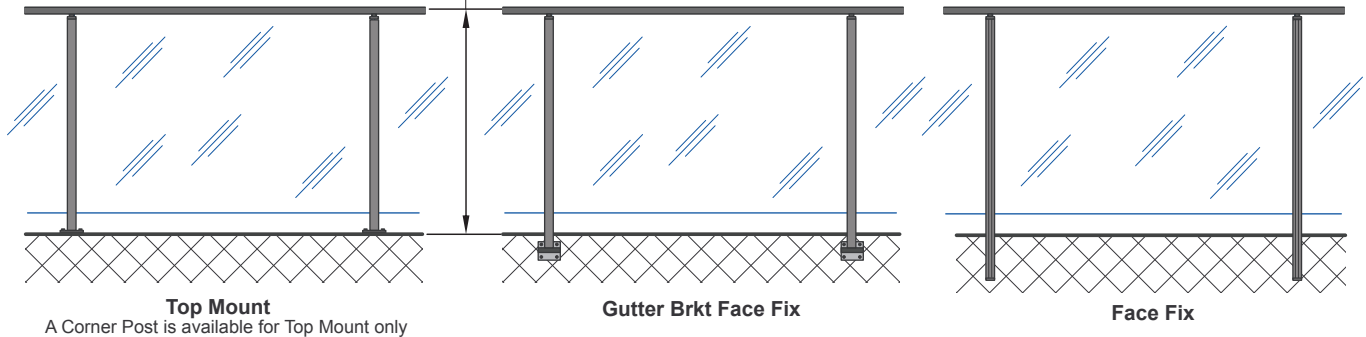
ALUMINIUM POST SYSTEM WITH BALUSTER/ SLAT/LOUVRE/GLASS

The Edge® Balustrade System is a versatile solution for safety barriers on decks, stairways, balconies, handrails or as pool fencing. The system can incorporate glass panels, or a variety of aluminium infills within a fully framed, semi frameless or split rail layout. It has been developed to offer a great deal of choice to the customer and comes with a variety of accessories such as hidden fix posts, to hide it's fixings and gutter brackets, so it can be used on waterproof decks.

- Occupancy Types A, A Other & C3 Residential
- Suitable for Pool Fencing (fully compliant)
- Split rail finish available for aluminium infill/glass
- Aluminium infill: Baluster, slat, louvre, perforated sheet and fin
- Glass Infill: Toughened Safety Glass 10mm.
Toughened laminated glass 13.2mm
- Suitable for waterproof/floating decks

10mm Toughened Glass - Semi Frameless - Handrail

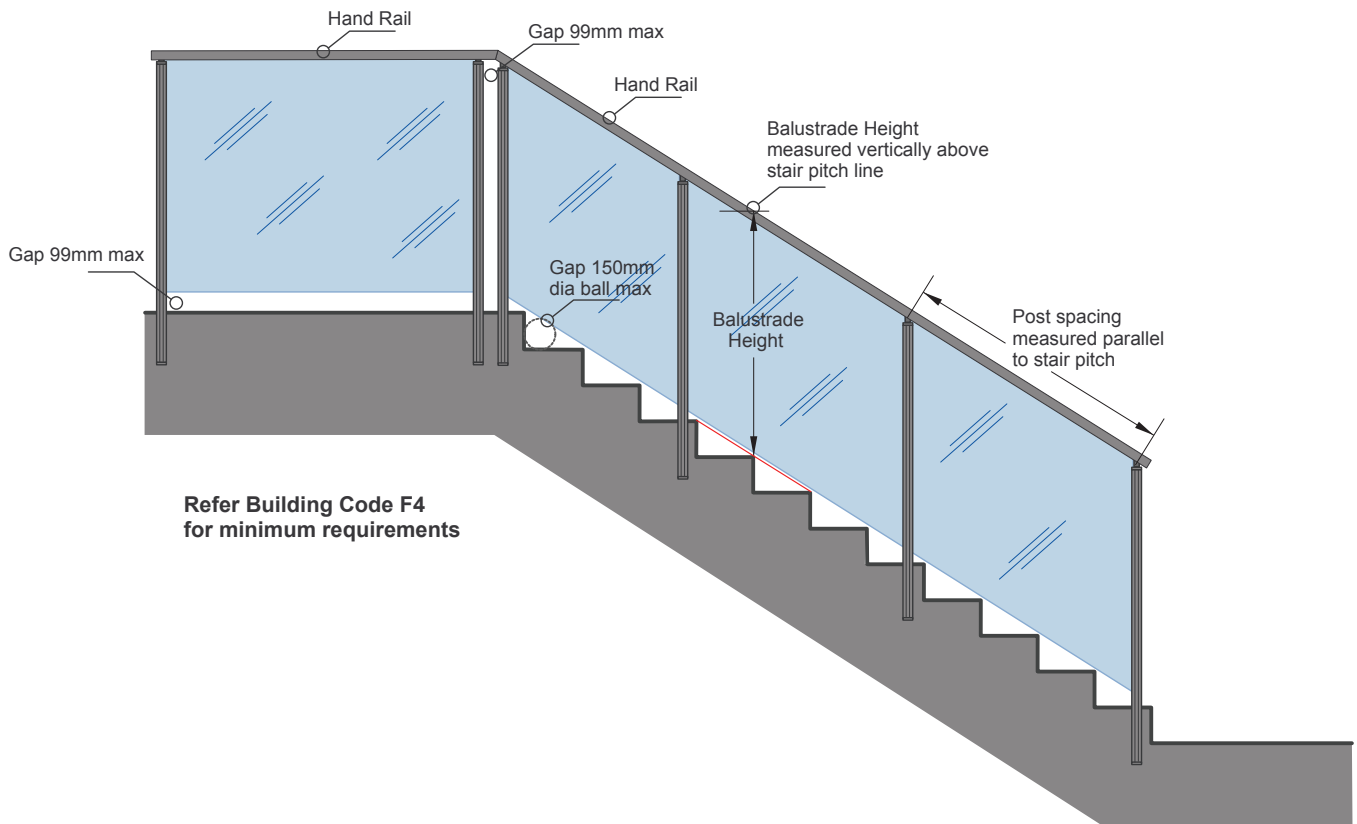
Balustrade Height, 1000mm min, above FFL

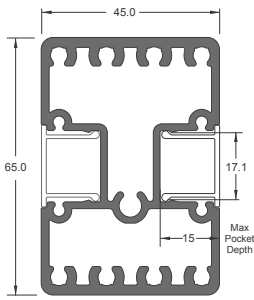


EDGE® Balustrade System Stair Setouts, Construction

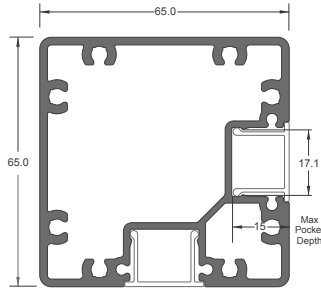
EDGE Balustrade
Face Fix shown

Typical Stair installation
Screw fixings into Single or Double Joists/Stiffeners, Concrete or Steel

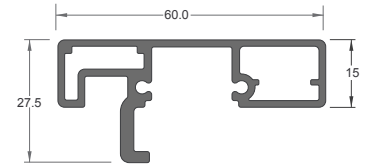




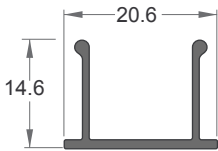
TOP FIX EDGE POST
SEMIFRAMELESS
JEB/212/5



TOP FIX EDGE
CORNER POST
SEMIFRAMELESS
JEB/213/5

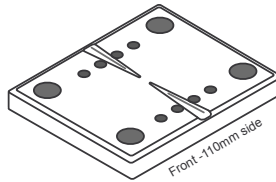


INTERLINKING RAIL
JEB/222/5.8
Note - Infill clips are not used with the JEB 222



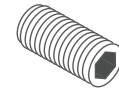
STANDARD INFILL CLIP
JEB/206/5.8

Base plate
JEC221



110mm x 90mm x 12mm - 4 x holes

Handrail Clamp Screw
JEC Screw/M8x20

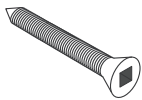


Handrail
Clamp

M8 x 20 SS Grub screw

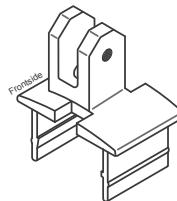
Post/Baseplate Screw
JVBHTSCREW/50x10

This Screw **MUST** be used when attaching Posts to Baseplates or Gutter Brackets



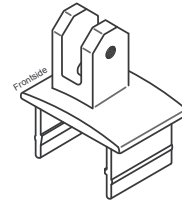
50mm SS High Tensile PK C/S sq drive screw

Handrail Mount
JEC23



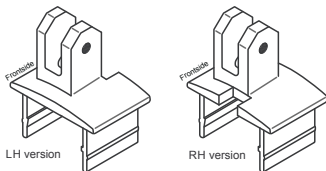
Angled Hand Rail Mount - Double Pocket
Fits over Post. 66mm x 46mm

Handrail Mount
JEC24



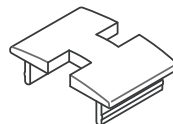
Angled Hand Rail Mount - No Pocket
Fits over Post. 66mm x 46mm

Handrail Mount
JEC25RH or LH



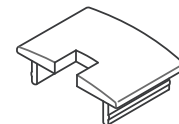
Angled Hand Rail Mount - Single Pocket, LH & RH
Fits over Post. 66mm x 46mm

Top Cap
JEC21



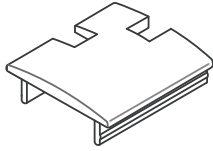
Double Pocket
Fits over Post. 66mm x 46mm

Top Cap
JEC22



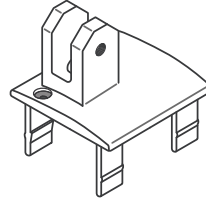
Single Pocket. RH/LH symmetrical
Fits over Post. 66mm x 46mm

Top Cap Notched - Corner Post
JEC28



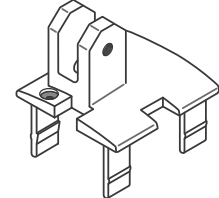
Double Pocket
Fits over Post. 66mm x 66mm

Corner Post, Handrail Mount
JEC30



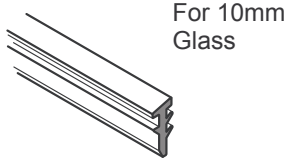
No Pockets - Fits over Post. 66mm x 66mm

Corner Post, Handrail Mount
JEC31



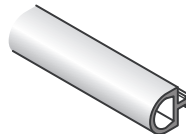
Pockets - Fits over Post. 66mm x 66mm

3mm Glazing Wedge
JEC10/100



100mt Roll - PVC

Glazing D Seal
JEC DSEAL/100



8mm deep x 9.5mm wide x 100mt Roll
Semi Rigid PVC

Glass Support Bracket
JEC13



Nylon

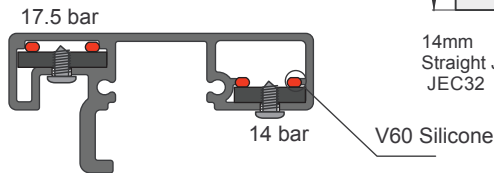
17mm x 13mm x 32mm long. Attaches to Post
with 2 x No 8 x 16 SS PK Screws

Interlinking Rail
End Cap, Straight
135 deg and 90deg corners

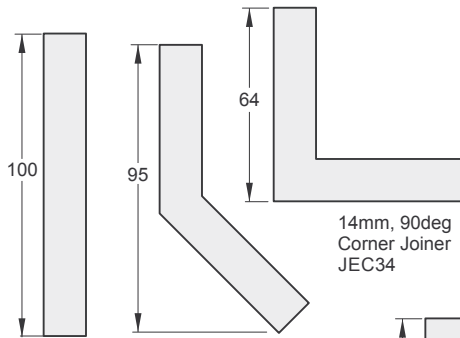


Interlinking Rail End Cap
Can be used as RH or LH

All ex 3mm Aluminium



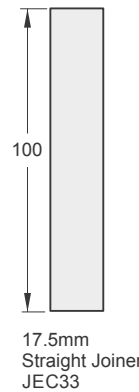
- Joiners:
- With Joiner in place, spot drill from below for position
 - Drill out joiner to 3mm dia, extrusion to 4mm dia
 - Use No 6 x 1/4in SS ST Pan sq drive screw
 - Insert dobs of V60 Silicone inside cavities before inserting
 - Both ends to be attached.
 - Joins must be within 300mm of Post
 - Minimum distance between screw and end of handrail is 10mm



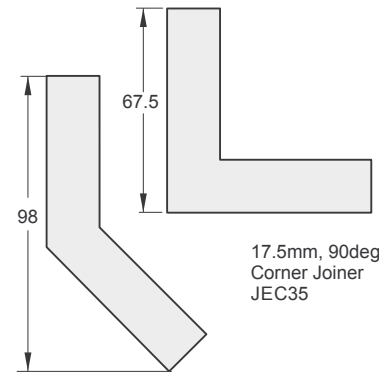
14mm
Straight Joiner
JEC32

14mm, 135deg
Corner Joiner
JEC36

14mm, 90deg
Corner Joiner
JEC34



17.5mm
Straight Joiner
JEC33



17.5mm, 135deg
Corner Joiner
JEC37

17.5mm, 90deg
Corner Joiner
JEC35

EDGE® Balustrade System - Typical Post Fixings NZS3604:2011 Connection. Double Boundary Joists

Typical TOP Fix to Timber - JEC 221, 110mm x 90mm, 4 hole Base Plate - M10 SS Coachscrews

Balustrade Dimensions by Wind Zone.

Up to and including Very High Wind Zone Balustrade Height above FFL, mm

1000	1050	1100	1150	1200	1250	1300 max
1400	1350	1300	1250	1200	1150	1100

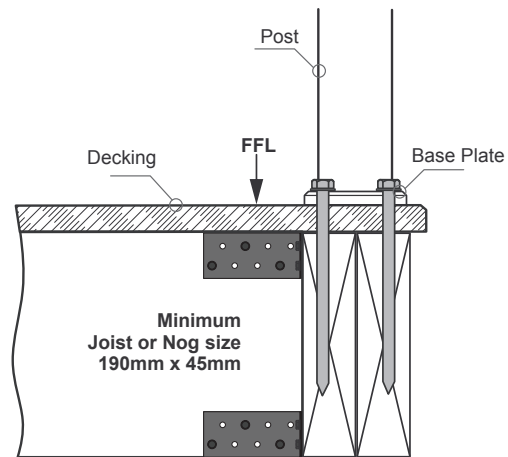
Post Spacing max, mm

Up to and including Extra High Wind Zone

General Balustrades	17mm Balusters only
Balustrade Height, mm	Balustrade Height, mm
1200 max	1000 min - 1275 max
1000	1480
Post Spacing max, mm	Post Spacing max, mm

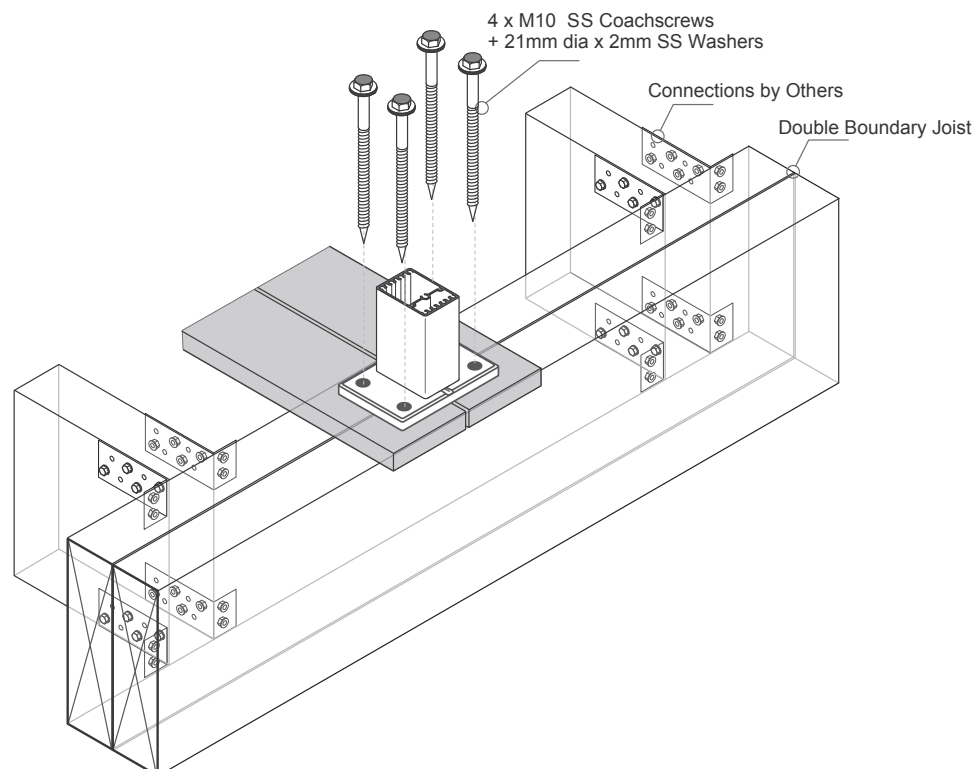
General Notes:

- 1 - All measurements mm
- 2 - Domestic Occupancy only A, A other and C3.
- 3 - Balustrade Height measured above Deck/FFL. 1000mm min
- 4 - Wind Zones as per NZS 3604:2011



Important Installation notes:

- 1 - The Project Engineer must ensure the structure can support the appropriate loads
- 2 - Substructure shown indicatively only. Timber SG8 minimum strength
- 3 - Coachscrew engagement into joists 150mm. All coachscrews predrill 6mm holes
- 4 - Bond all coachscrews with SIKA Supergrip to full depth
- 5 - All Fixings must be Stainless steel



EDGE® Balustrade System - Typical Post Fixings

Typical TOP Fix to Concrete - JEC 200, 110mm x 100mm, 4 hole Base Plate - M10 SS Studs

Balustrade Dimensions by Wind Zone.

Up to and including Very High Wind Zone

Balustrade Height above Deck, mm				
1000	1050	1100	1150	1200 max
1300	1250	1200	1150	1100
Post Spacing max, mm				

Up to and including Extra High Wind Zone

General Balustrades	17mm Balusters only
Balustrade Height, mm	Balustrade Height, mm
1200 max	1000 min - 1275 max
1000	1480
Post Spacing max, mm	Post Spacing max, mm

General Notes:

- 1 - All measurements mm
- 2 - Domestic Occupancy only A, A other and C3.
- 3 - Balustrade Height measured above Deck/FFL. 1000mm min
- 4 - Wind Zones as per NZS 3604:2011

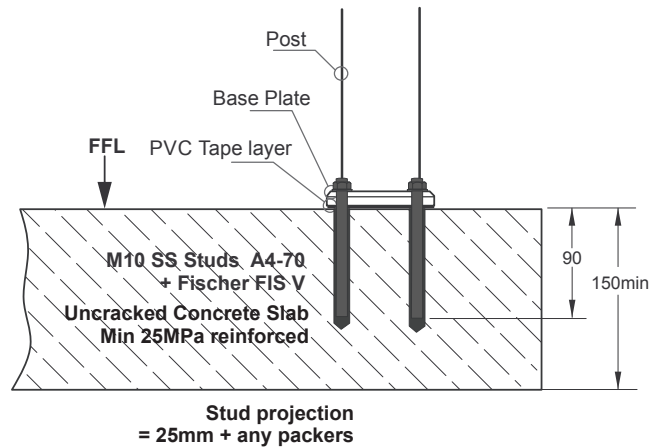


Installation details Fischer FIS V 300T

Thread diameter	M10
Drill hole diameter	= 12 mm
Drill hole depth	= 100 mm
Anchorage depth	= 90 mm

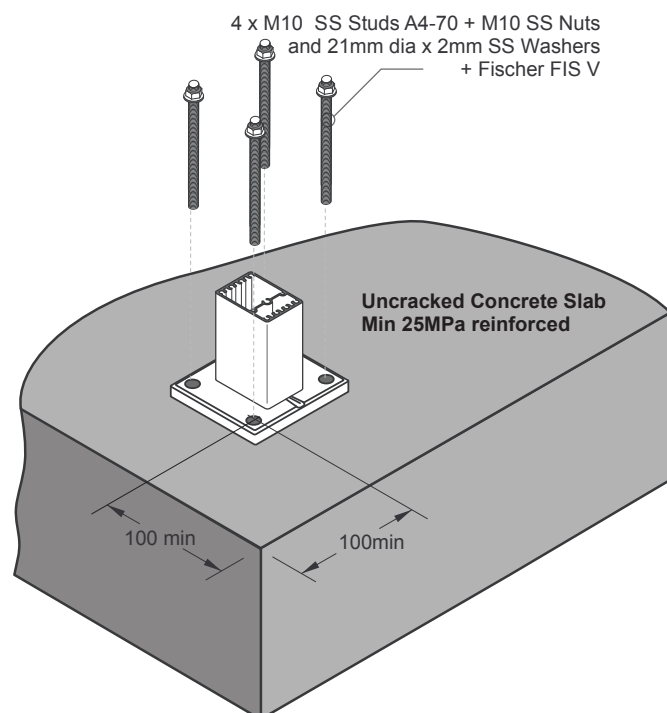
Drilling method	Hammer drilling
Drill hole cleaning	4 times blowing, 4 times brushing, 4 times blowing

No borehole cleaning required in case of using a hollow drill bit, e.g. fischer FHD.



Important Installation Notes:

- 1 - The Project Engineer must ensure the structure can support the appropriate loads
- 2 - Substructure shown indicatively only
- 3 - Fixings must engage into the structural slab
- 4 - A PVC Tape layer must be installed between the Baseplate and Concrete
- 5 - Use Threadlok on Nuts
- 6 - All fixings must be Stainless Steel





**VICTORIA
(HEAD OFFICE)**
170 Derrimut Drive,
Derrimut VIC 3030

SOUTH AUSTRALIA
7 Manfull Street,
Melrose Park SA 5039

1300 4 ELITE

03 9314 6105

eliteglassolutions.com.au