



3.00kN FRAMELESS glass BALUSTRADE

04 MEGAgrip INTRODUCTION



MEGAgrip is Pure Vista's answer to a heavy-duty and fully adjustable 3kN commercial balustrade system, designed as a highly-durable public safety barrier for large commercial constructs. Suitable for a wide range of glass heights.

MEGAgrip uses a variation of our popular POSIglaze screw-clamp technology to secure the glass in place. The system uses a 13mm Hex nut and ¼ inch torque wrench and extension arm to tighten the bolts, for a quick and simple installation. Internal glass clamps allow for easy alignment of the glass within the channel, and are compatible with a wide range of glass thicknesses making **MEGAgrip** one of the most adaptable balustrade systems on the market today. It can easily be further fortified with a simple conversion kit, to become a bomb-resistant or bullet-proof balustrade system. **MEGAgrip** is ideal for use as a public space



barrier in busy locations such as transport hubs and venues, where there is a risk of overcrowding.

04 MEGA^{grip} KEY BENEFITS

✓ FAST AND EASY TO INSTALL AND ADJUST

One of the most simple balustrade systems to fit and adjust thanks to its patented screw-clamp technology. Dry glazed where no specialist tools are required. Glass can easily be removed and replaced if necessary.

✓ LIGHTWEIGHT AND STRONG

Precision engineered using extruded aluminium with a geometrically hollowed out core, providing an incredible strength to weight ratio. For added protection, **MEGA**grip is anodised to 25 microns.

✓ ACCREDITED TO 3.00kN TO BS 6180:2011

MEGAgrip is accredited and approved by multiple organisations to verify that it meets national and international building regulations for use as edge protection, where up to 3.00kN force is required.

✓ CAN BE USED WITH A WIDE RANGE OF GLASS TYPES

MEGAgrip is a highly versatile product which can be used with glass thicknesses ranging from 25mm - 33mm, using either toughened glass, toughened PVB laminate or SentryGlas. With glass heights of up to 1900mm.

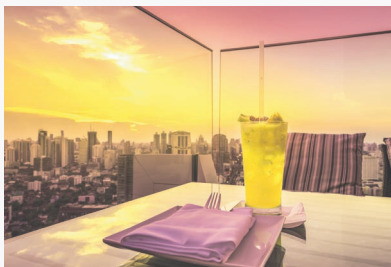
✓ ANTI-TERROR CONVERSION KITS

With 3.00kN force loading capability, **MEGA**grip is a commercially appropriate product which can be fortified using conversion kits into bomb-resistant or bulletproof balustrade systems.

✓ GLASS IS EASY TO REMOVE AND CHANGE POST USE

MEGAgrip is as easy to assemble as it is to disassemble, making it simple to install replacement glass panels following use as a bomb-resistant or bullet-proof barrier.

04 MEGA^{grip} APPLICATIONS



TALL GLASS APPLICATION

- ✓ Privacy Screens
- ✓ Roof Terraces
- ✓ High Rise Balconies



LIGHT COMMERCIAL APPLICATION

- ✓ Music Venues
- ✓ Shopping Centres
- ✓ Office Buildings



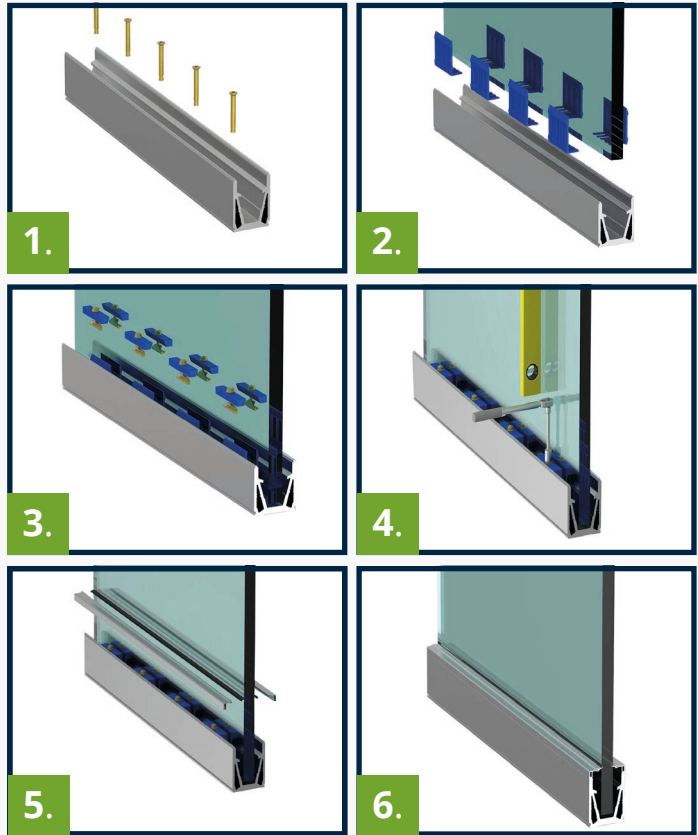
STADIA APPLICATION

- ✓ Sports Stadiums
- ✓ Airports
- ✓ Railway Stations

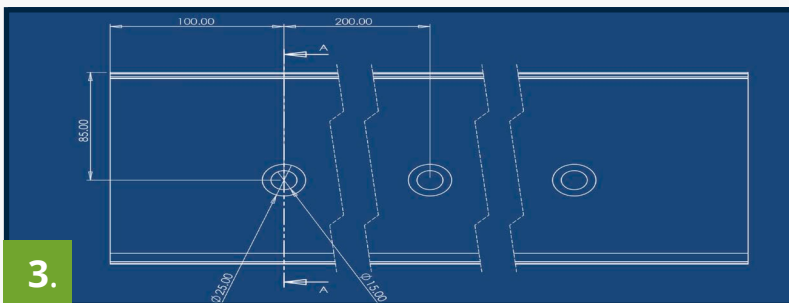
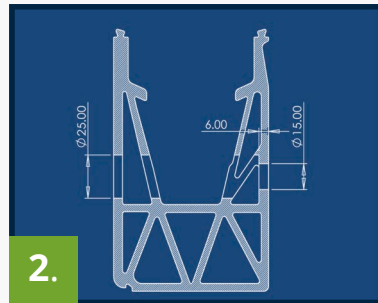
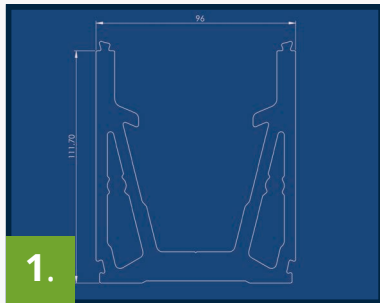
04 MEGAgrip INSTALLATION GUIDE

MEGAgrip is one of the most simple balustrade channel systems to install and adjust using screw-clamp technology. These step by step instructions guide you through the installation

1. FIT THE CHANNEL
2. ATTACH THE CLAMPS TO THE GLASS
3. ASSEMBLE AND INSERT THE MECHANISM
4. POSITION THE GLASS
5. ADD THE TOP BEAD
6. ADD END CAPS



04 MEGAgrip TECHNICAL DRAWINGS



1. MEGAgrip base fix channel
2. MEGAgrip side fix channel with holes
3. MEGAgrip base fix bolt hole centres

The table below shows the line loading that MEGAgrip is certified to achieve.

These tests have been conducted in accordance

with **BS6180:2011** to certify that **MEGAgrip** meets the force loading requirement under this British standard for a range of glass height and thickness configurations.



Glass Type >		25mm Toughened Glass				25.5mm SentryGlas			31.5mm Toughened PVB			35mm Toughened PVB
		1100	1200	1500	1800	1100	1500	1800	1100	1800	2000	1100
0.74kN Line Load	Steel					✓	✓	✓				
	Concrete		✓	✓								
1.50kN Line Load	Steel		✓			✓	✓		✓	✓	✓	
	Concrete		✓			✓	✓	✓	✓	✓	✓	
3.00kN Line Load	Steel	✓				✓			✓			✓
	Concrete	✓				✓			✓			✓