



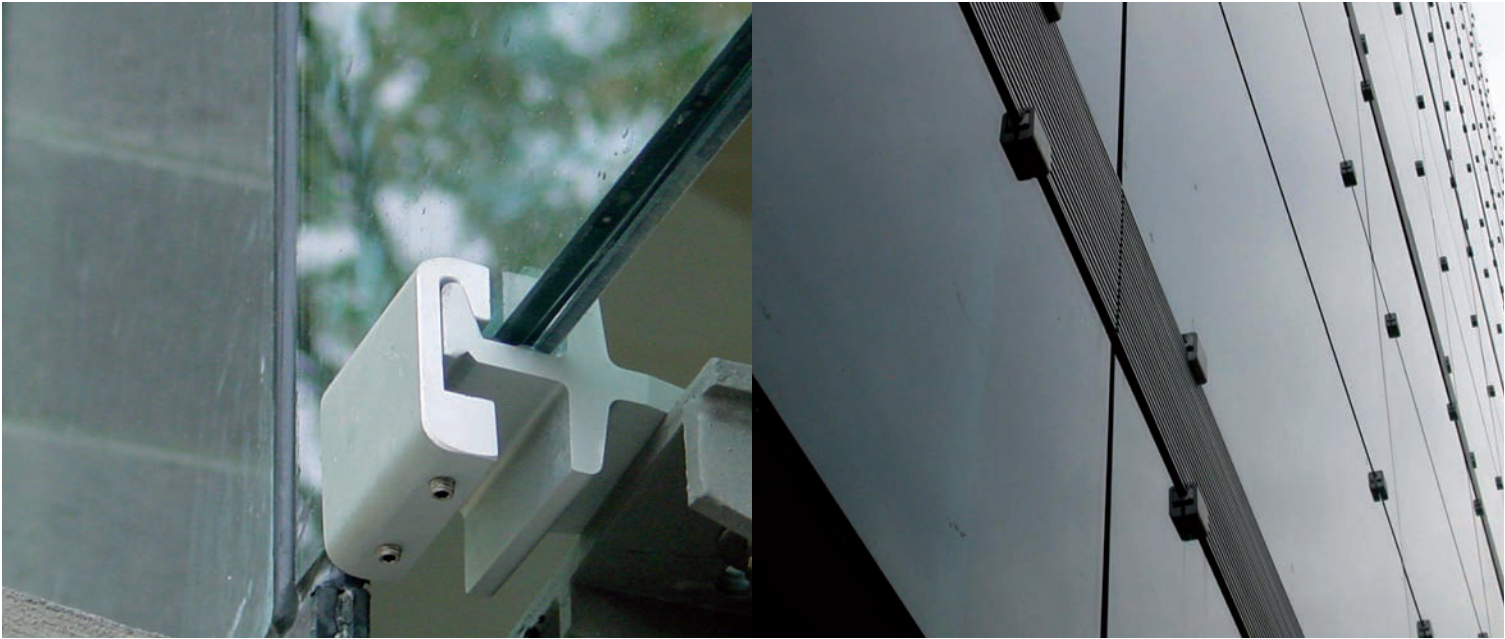
ELITE GLASS
SOLUTIONS



VETRA SYSTEM

nemo

Clamps
for glass facades
without drilling



Nemo

Nemo is a clamp series that allows the use of glass sheets without cut outs or holes. These supports are particularly indicated for covering of façades, panoramic stairs or elevators. Nemo can significantly reduce the cost of design, realization and installation while preserving a clean and elegant aesthetic look of the façade. The supports are realized in aluminium and they allow the use of medium glass sheet size, the load capacity of each clamp is 100 kg.

The clamps are available with two connection types: vertical with a minimum size between glass and structure adapt for 90° corner realization, and horizontal which allows to orient the clamp and therefore the construction of facades segmented curves.

Nemo clamps are provided with in three different thicknesses. It's possible to adjust of about -2 mm the thickness indicated by the jointing of the apposite silicon gasket, on request we can provide adaptors blocks for any thickness.

The scheme shows the functioning system of the supports: the body of the clamp supports the top glass and fixes the bottom glass by the cover.

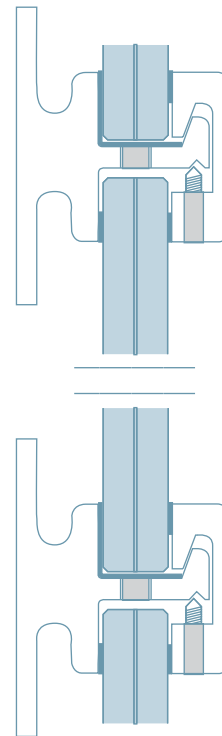
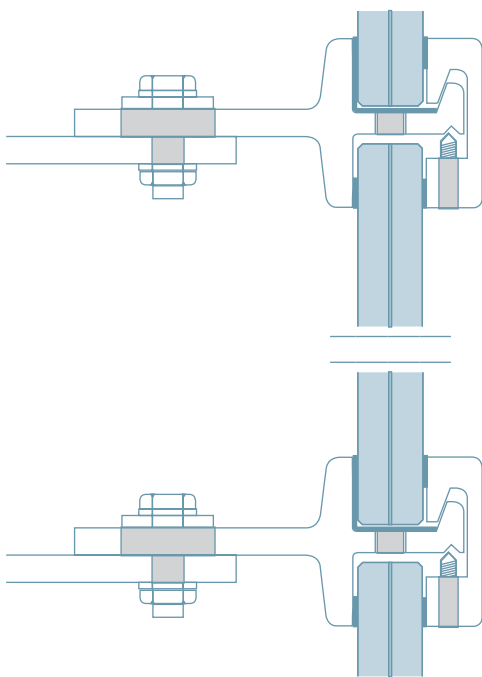
114 Endeavour Way, Sunshine West VIC 3020 Australia
7 Manfull Street, Melrose Park SA 5039 Australia

1300 4 ELITE | 03 9314 6105
eliteglasssolutions.com.au |  www.eliteglasssolutions.com.au



Horizontal attack

Vertical attack



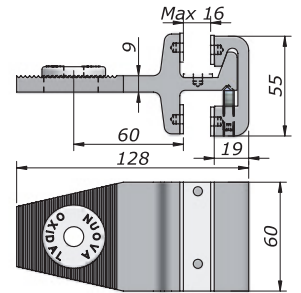
114 Endeavour Way, Sunshine West VIC 3020 Australia
7 Manfull Street, Melrose Park SA 5039 Australia

1300 4 ELITE | 03 9314 6105
eliteglassolutions.com.au | www.eliteglassolutions.com.au



supporting clamp without drilling on glass

nemo A

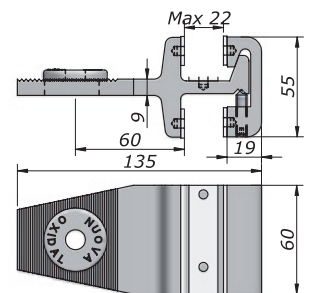


Clamp with horizontal connection fitting for thickness up to 16 mm

silver chro. mat

V-NEMO-A-I

nemo B

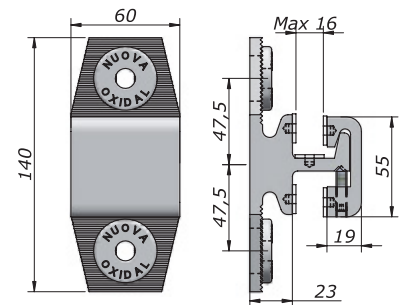


Clamp with horizontal connection fitting for thickness up to 22 mm

silver chro. mat

V-NEMO-B-I

nemo C



Morsetto con aggancio verticale fino a 16 mm

Clamp with vertical connection fitting for thickness up to 16 mm

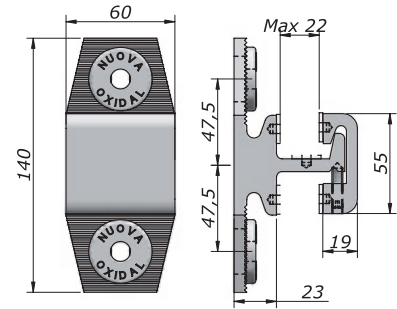
silver chro. mat

V-NEMO-C-I

114 Endeavour Way, Sunshine West VIC 3020 Australia
7 Manfull Street, Melrose Park SA 5039 Australia

1300 4 ELITE | 03 9314 6105
eliteglassolutions.com.au |  www.eliteglassolutions.com.au

nemo D

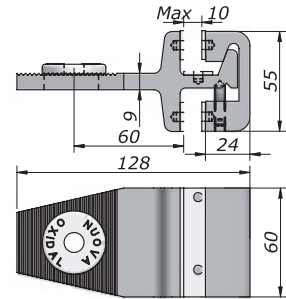


Clamp with vertical connection fitting for thickness up to 22 mm

silver chro. mat

V-NEMO-D-I

nemo E

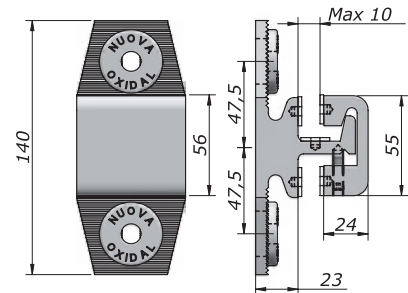


Clamp with horizontal connection fitting for thickness up to 10 mm

silver chro. mat

V-NEMO-E-I

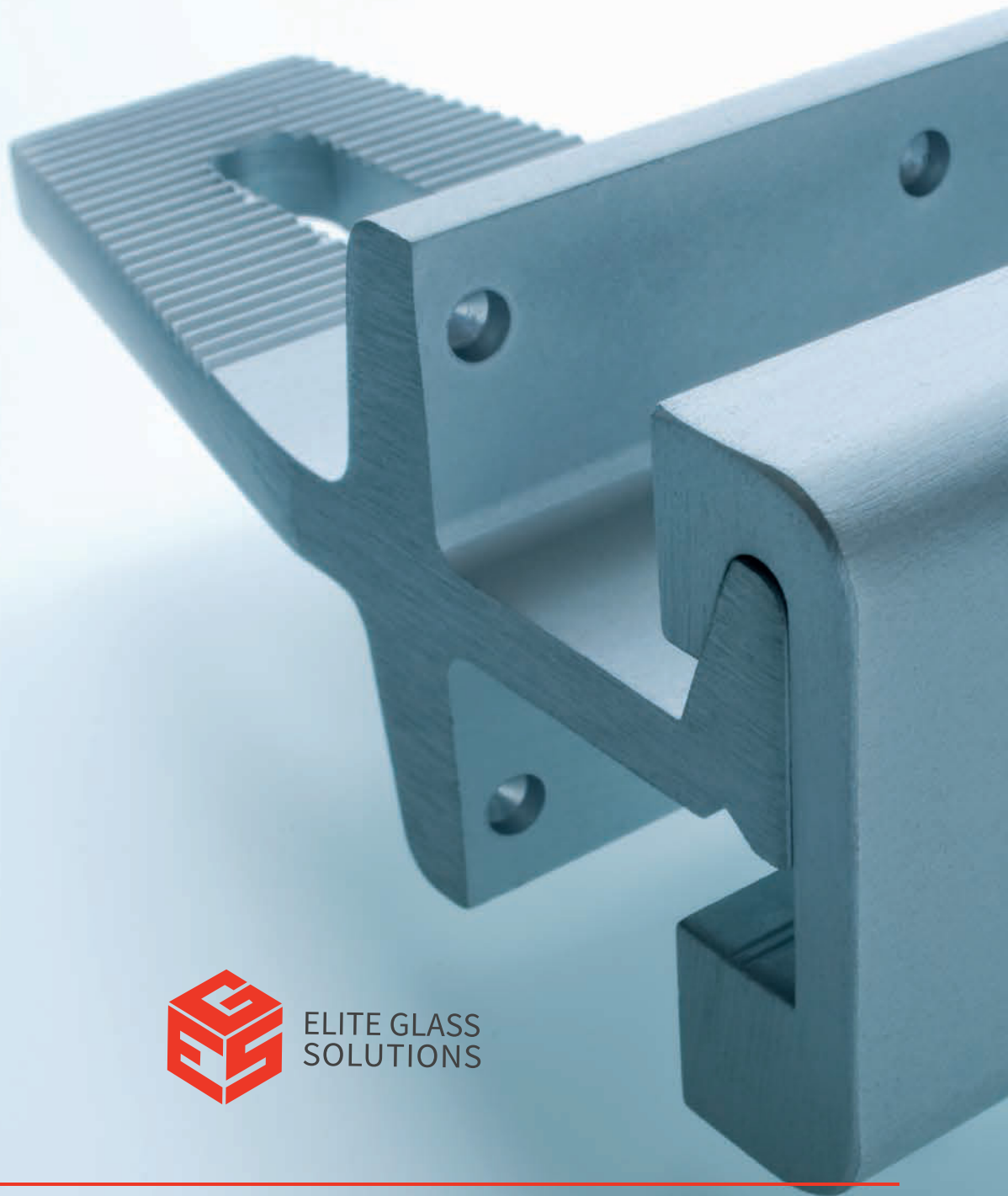
nemo F



Morsetto con aggancio verticale fino a 10 mm
Clamp with vertical connection fitting for thickness up to 10 mm


silver chro. mat

V-NEMO-F-I



ELITE GLASS
SOLUTIONS

114 Endeavour Way, Sunshine West VIC 3020 Australia
7 Manfull Street, Melrose Park SA 5039 Australia

1300 4 ELITE | 03 9314 6105
eliteglassolutions.com.au |  www.eliteglassolutions.com.au