



riba
product
selector

TESTED
according to
BS6180

Model 6030 | 6031

3.0KN TOP AND SIDE MOUNT

- | Quick and simple mounting
- | For glass thicknesses between 21,52 - 31,52 mm
- | Drainage holes
- | Extension pin holes
- | Private, commercial, public areas and commercial high frequented areas



TL-6030

3.0 kN Top Mount

Fat Sister.

The Profile TL-6030 is not only cost-effective. There is much more to it. This profile is especially popular for completely concealed installations. When used together with the structural connection profiles, its application versatility increases many times over.

As a matter of fact, the profile is suited both for interior and exterior applications. It can withstand a linear load of 3.0 kN and is appropriate for glass thicknesses between 21.52 mm and 31.52 mm.

Essential Features

- | Slimline, elegant design and low-maintenance
- | ONLEVEL Flex-Fit Glass Adjustment Tool
- | Drainage holes
- | For glass thicknesses between 21.52 - 31.52 mm
- | For applications in the public area

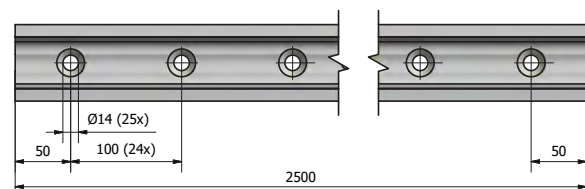
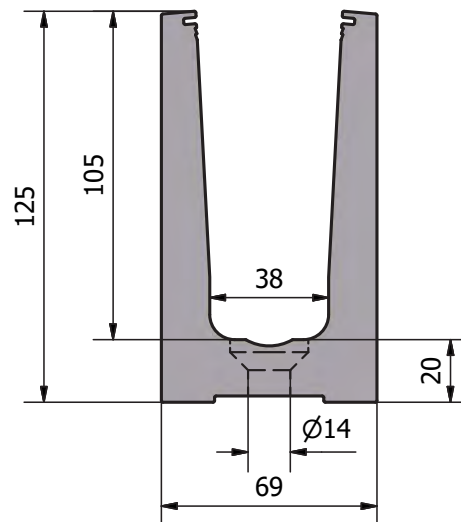
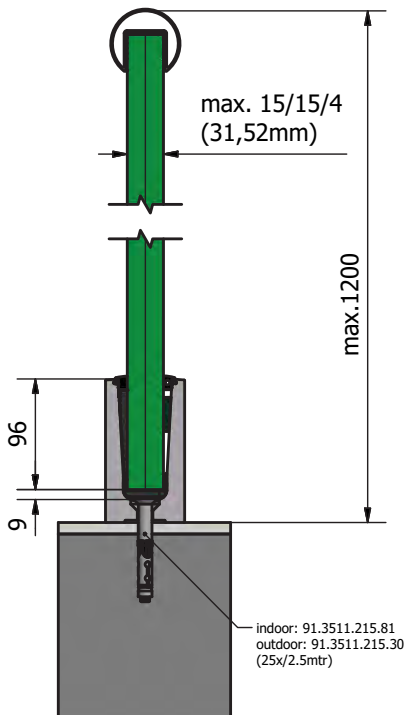


bimobject® CAD IN EVERY FORMAT

TESTED
according to
BS6180

CE EN1090-1
EN1090-3
EXC 3

riba
product
selector





Unlimited application
versatility

Fat but still nearly invisible



Especially for applications in
the public area



Top mount

TL-6030 | 3.0 KN TOP MOUNT

Glass profile



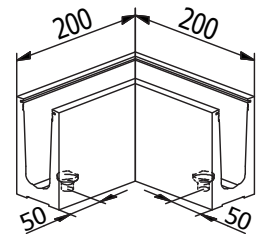
- | Height 125 mm
- | Width 69 mm
- | Sales unit: 1 piece

Model 6030	Plain aluminium
Length	Art. no.
2500	10.6030.002.11

Inside corner / outside corner 90°



- | Side length inside 131 mm
- | Side length outside 200 mm
- | Sales unit: 1 piece



Model 6030	Plain aluminium
	Art. no.
	10.6030.390.11

End cap, left/right



- | For use on the left and right
- | Sales unit: 1 piece

Model 6030	Plain aluminium
Application	Art. no.
left/right	10.6030.490.11

Fischer fixing anchor FH II 12/15 SK



- | Finish interior application: zinc-plated steel (interior)
- | Finish exterior application: V4A (exterior)
- | Required number per 2500 mm: 25 pieces
- | Sales unit: 25 pieces

Model 3511	Zinc-plated steel (interior)	V4A (exterior)
	Art. no.	Art. no.
	91.3511.215.81	91.3511.215.30

TL-6030 | 3.0 KN TOP MOUNT

Flex-Fit 2.0 kN



- | Fine adjustment of glass panes
- | For glass thicknesses between 21.52 - 31.52 mm
- | Adjustment of up to 34 mm in relation to the vertical axis

Length		2500 mm	5000 mm	25 mtr
Glass thickness	Wedge colour	Art. no.	Art. no.	Art. no.
10/10/4 (21.52 mm)	blue	90.0502.322.00	90.0505.322.00	90.0525.322.00
12/12/4 (25.52 mm)	red	90.0502.326.00	90.0505.326.00	90.0525.326.00
15/15/4 (31.52 mm)	green	90.0502.332.00	90.0505.332.00	90.0525.332.00

TL-6031

3.0 kN Side Mount

Big Brother.

The Profile TL-6031 is an intelligent solution, especially for installations without screed onto steel or concrete.

As a matter of fact, the profile is suited both for interior and exterior applications. It can withstand a linear load of 3.0 kN and is appropriate for glass thicknesses between 21.52 mm and 31.52 mm. With TL-6031 you prove your farsightedness.

Essential Features

- | Slimline, elegant design and low-maintenance
- | ONLEVEL Flex-Fit Glass Adjustment Tool
- | Extension pin holes
- | Drainage holes
- | Cover (optional)
- | Integrated multifunctional sophisticated chamber
- | For glass thicknesses between 21.52 - 31.52 mm

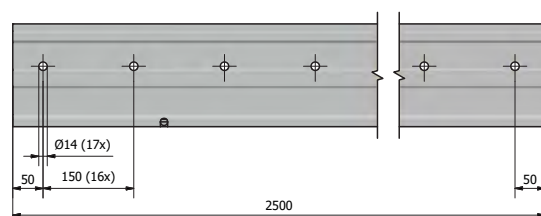
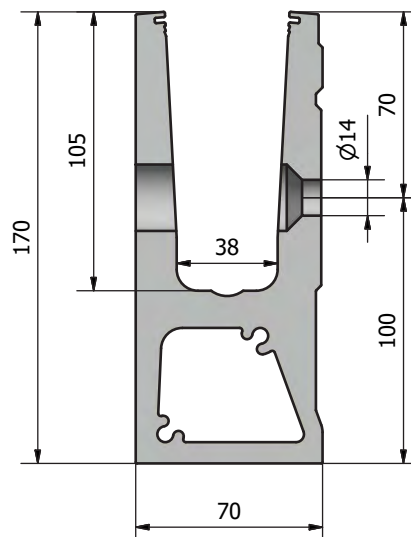
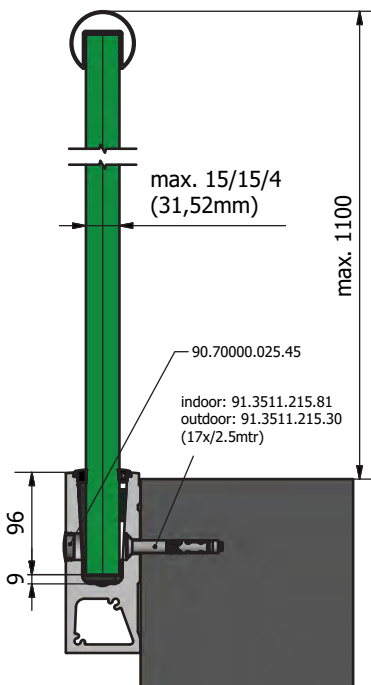


bimobject® CAD IN EVERY FORMAT

TESTED
according to
BS6180

CE EN1090-1
EN1090-3
EXC 3

riba
product
selector





Mount directly onto steel
or concrete

Suitable for extreme
loads



Side mount

Integrated multifunctional
sophisticated chamber for
enabling larger drilling
distances

TL-6031 | 3.0 KN SIDE MOUNT

Glass profile



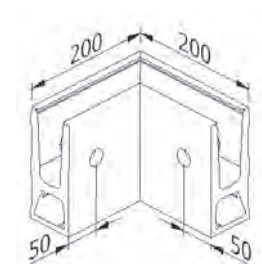
| Height 170 mm
| Width 70 mm
| Sales unit: 1 piece

Model 6031	Plain aluminium
Length	Art. no.
2500	10.6031.002.11

Inside corner 90°



| Side length inside 130 mm
| Side length outside 200 mm
| Sales unit: 1 piece

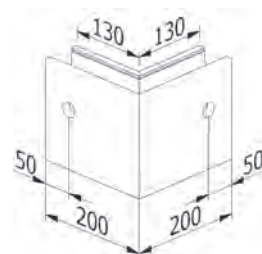


Model 6031	Plain aluminium
	Art. no.
	10.6031.300.11

Outside corner 90°



| Side length inside 130 mm
| Side length outside 200 mm
| Sales unit: 1 piece



Model 6031	Plain aluminium
	Art. no.
	10.6031.350.11

End cap, left



| For use on the left
| Sales unit: 1 piece

Model 6031	Plain aluminium
Application	Art. no.
left	10.6031.400.11

TL-6031 | 3.0 KN SIDE MOUNT

End cap, right



| For use on the right
| Sales unit: 1 piece

Model 6031	Plain aluminium
Application	Art. no.
right	10.6031.450.11

Extension pin



| Length 40 mm
| Diameter Ø 6 mm
| Sales unit: 8 piece

Model 7001	V4A (interior & exterior)
	Art. no.
	90.7001.640.31

Blanking plug



| Required number per 2500 mm: 17 pieces
| Sales unit: 10 pieces

Model 7000		Plastic	Model 7000	Plastic
Colour	Diameter	Art. no.	Colour	Diameter
white	25 mm	90.7000.025.40	white	30 mm
black	25 mm	90.7000.025.41	black	30 mm
grey	25 mm	90.7000.025.45	grey	30 mm

Fischer fixing anchor FH 12/15 SK



| Finish interior application: zinc-plated steel (interior)
| Finish exterior application: V4A (exterior)
| Required number per 2500 mm: 17 pieces
| Sales unit: 25 pieces

Model 3511	Zinc-plated steel (interior)	V4A (exterior)
	Art. no.	Art. no.
	91.3511.215.81	91.3511.215.30

TL-6031 | 3.0 KN SIDE MOUNT

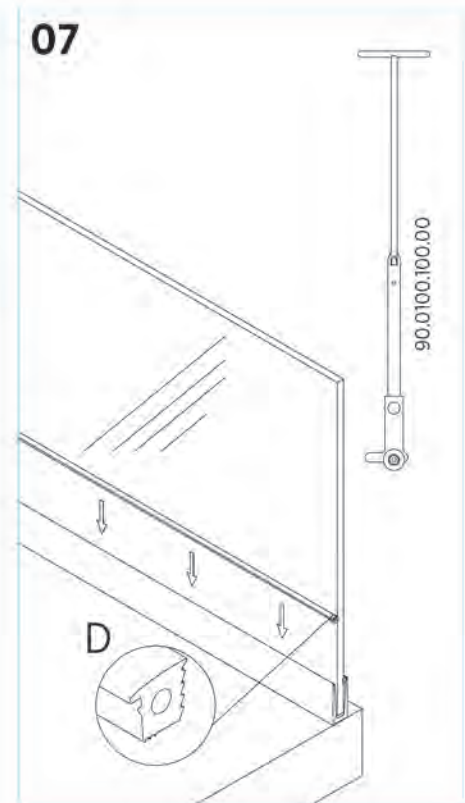
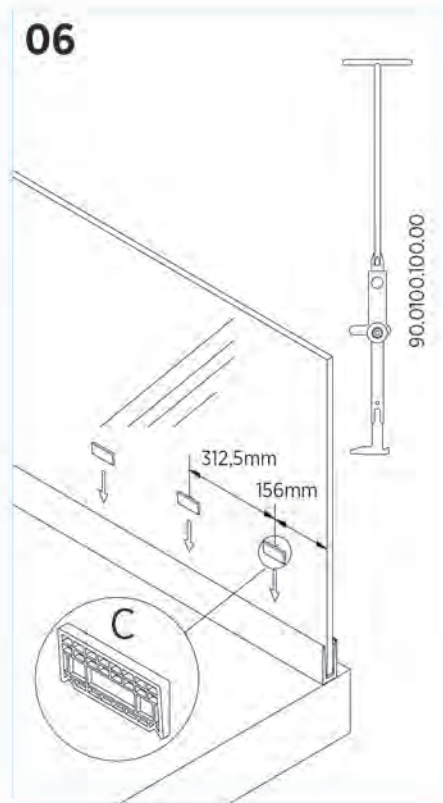
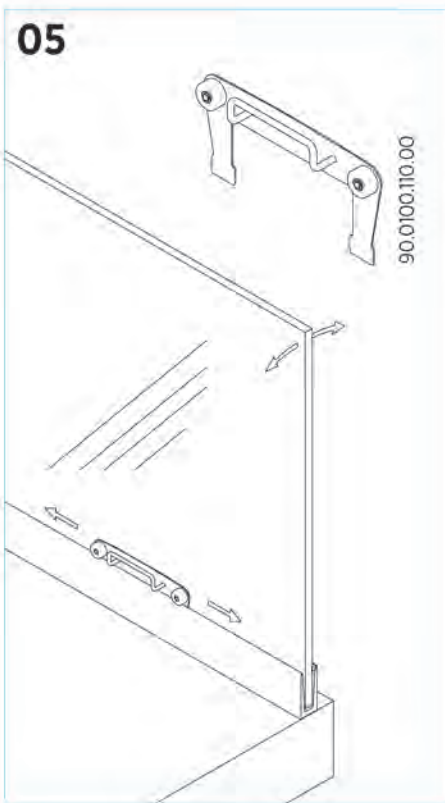
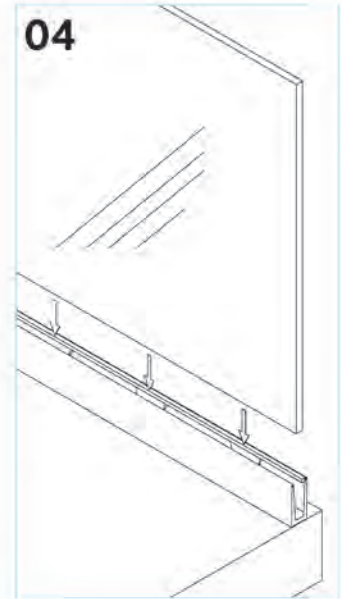
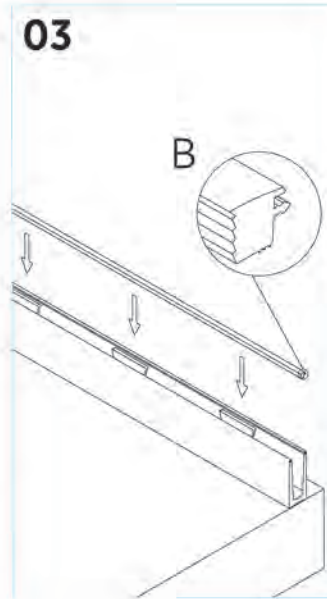
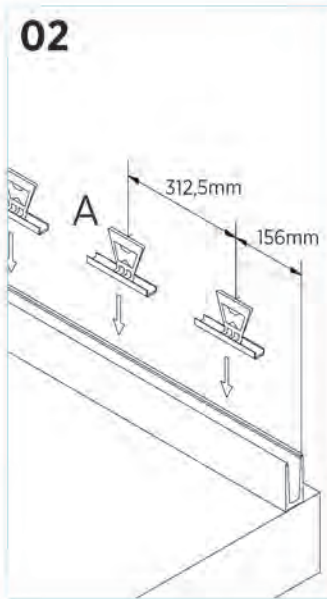
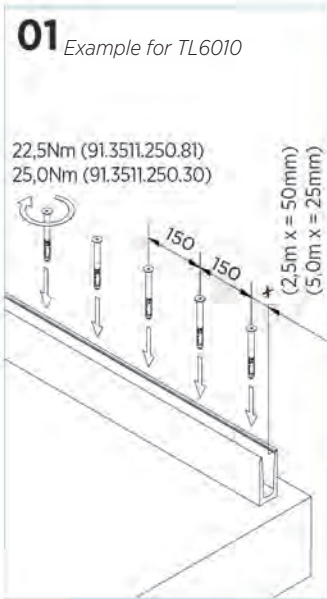
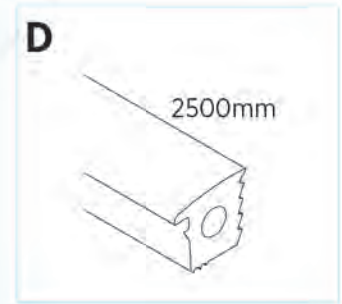
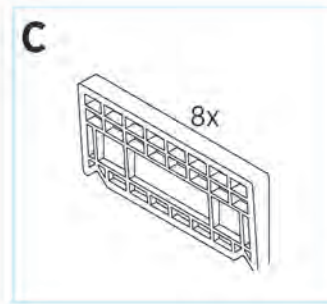
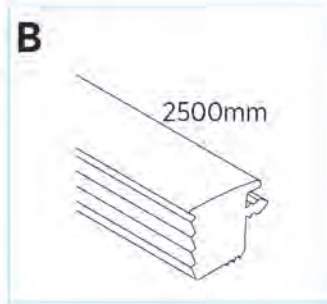
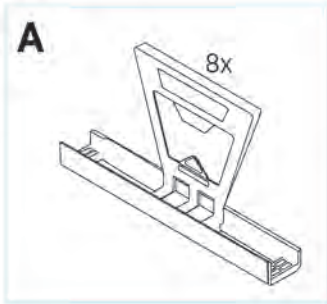
Flex-Fit 2.0 kN



- | Fine adjustment of glass panes
- | For glass thicknesses between 21.52 - 31.52 mm
- | Adjustment of up to 34 mm in relation to the vertical axis

Length		2500 mm	5000 mm	25 mtr
Glass thickness	Wedge colour	Art. no.	Art. no.	Art. no.
10/10/4 (21.52 mm)	blue	90.0502.322.00	90.0505.322.00	90.0525.322.00
12/12/4 (25.52 mm)	red	90.0502.326.00	90.0505.326.00	90.0525.326.00
15/15/4 (31.52 mm)	green	90.0502.332.00	90.0505.332.00	90.0525.332.00

MOUNTING INSTRUCTION FLEXFIT





**ELITE GLASS
SOLUTIONS**

ADELAIDE OFFICE

7 Manfull Street
Melrose Park
SA Australia 5039

HEAD OFFICE

114 Endeavour Way
Sunshine West
VIC Australia 3020

1300 4 ELITE

03 9314 6105
Melrose Park
sales@eliteglassolutions.com.au
www.eliteglassolutions.com.au