

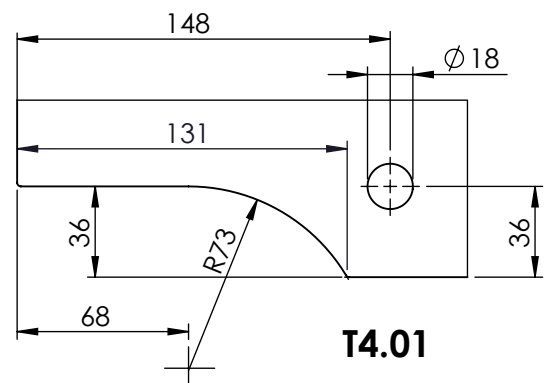
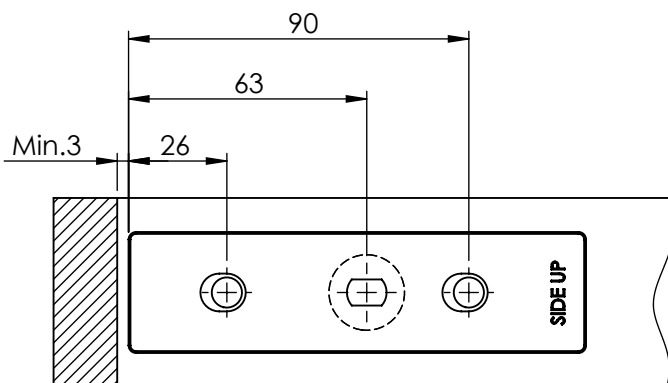
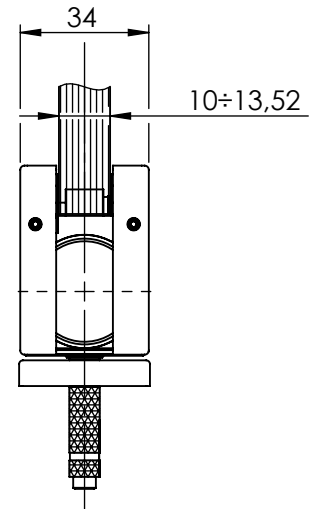
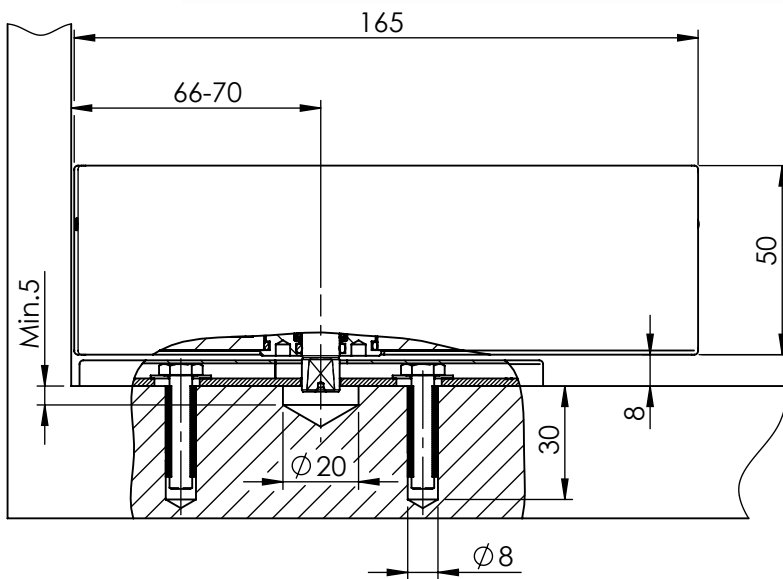
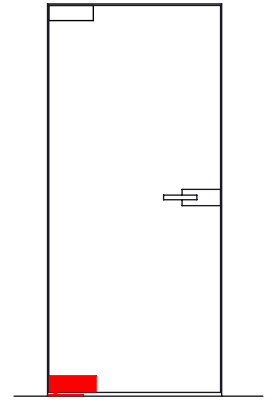
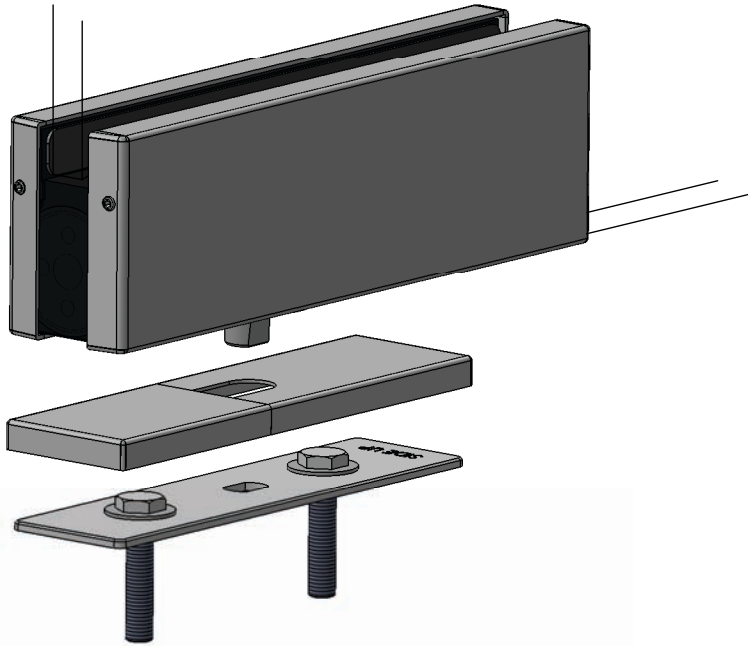
speedy
FRENUM
 INSTRUCTIONS



A RAINBOW IN
 GLASS COMPETENCE



WWW.SBYC.IT



T4.01

SPEEDYBYCASMA SRL

Tel. +39 02 97298418 +39 02 87188746 - WWW.SBYC.IT - INFO@SBYC.IT

speedy

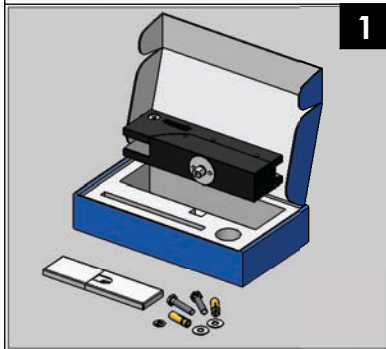
FRENUM

INSTRUCTIONS

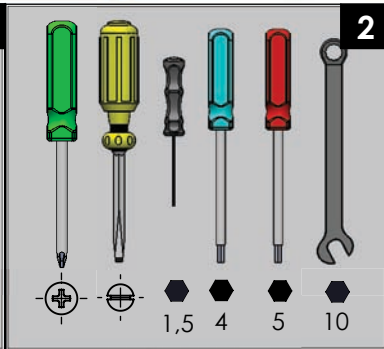


A RAINBOW IN
GLASS COMPETENCE

WWW.SBYC.IT

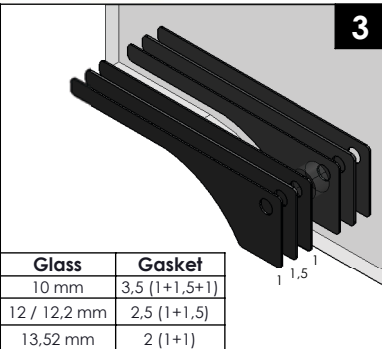


1

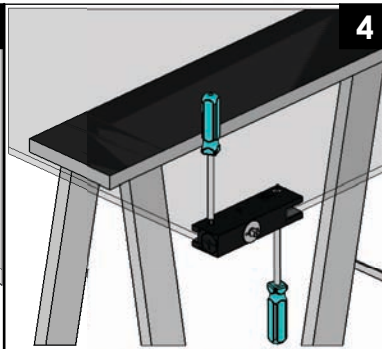


2

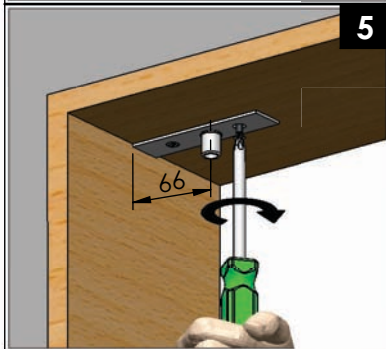
Glass	Gasket
10 mm	3,5 (1+1,5+1)
12 / 12,2 mm	2,5 (1+1,5)
13,52 mm	2 (1+1)



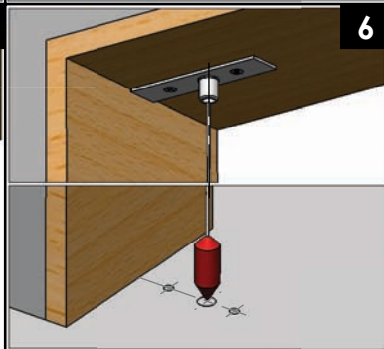
3



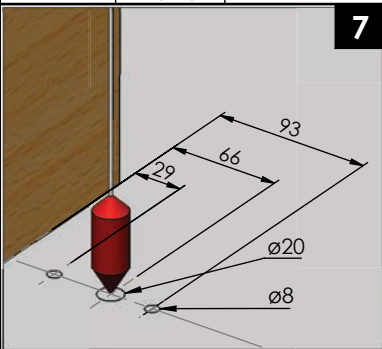
4



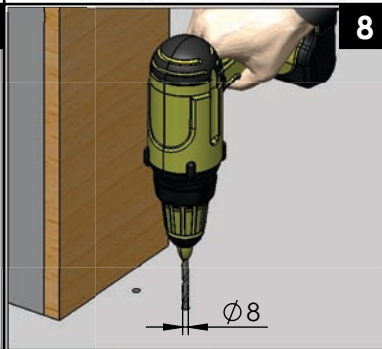
5



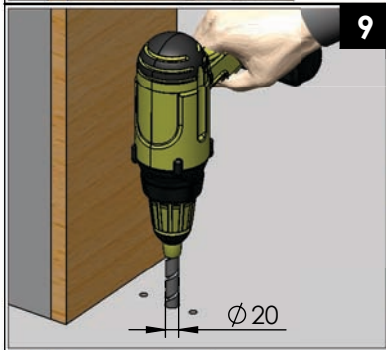
6



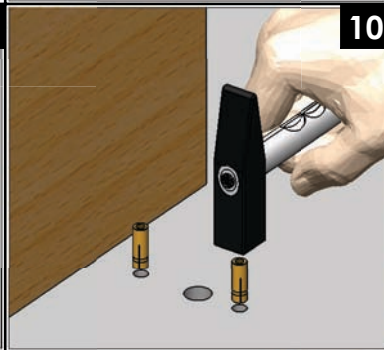
7



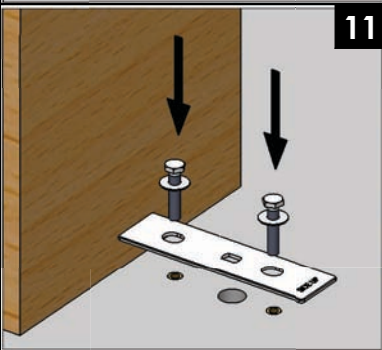
8



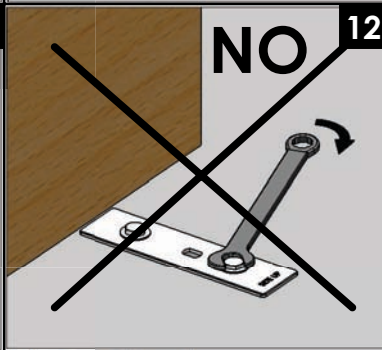
9



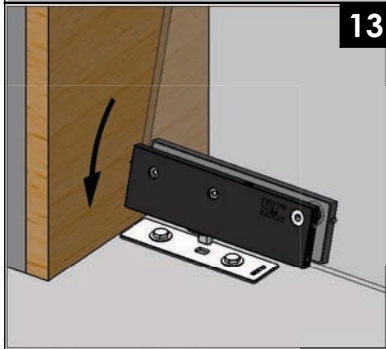
10



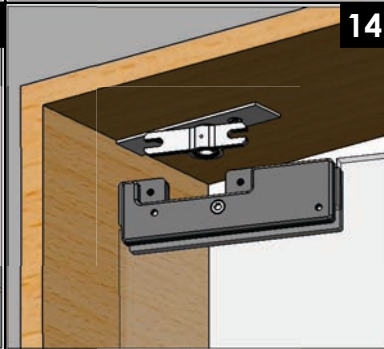
11



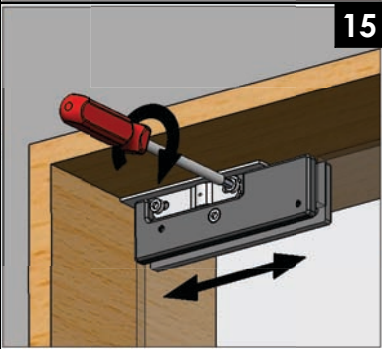
12



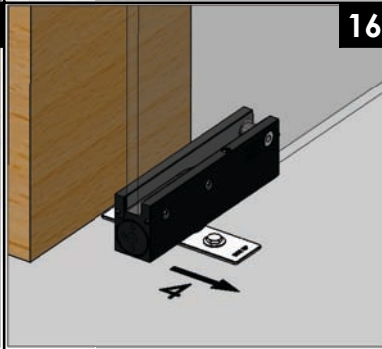
13



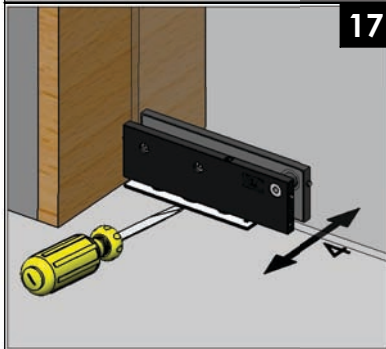
14



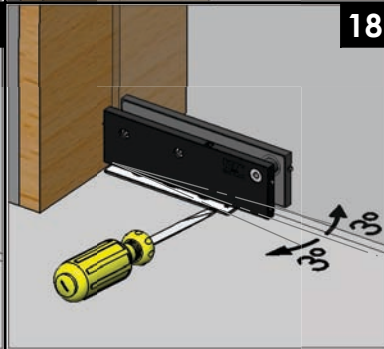
15



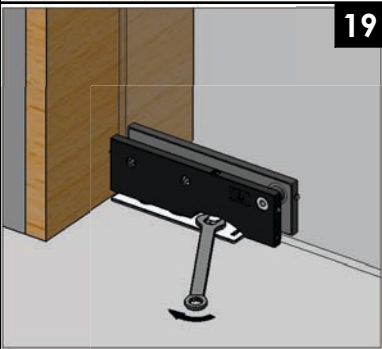
16



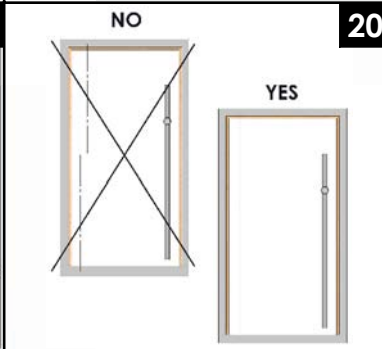
17



18



19



20

SPEEDYBYCASHA SRL

Tel. +39 02 97298418 +39 02 87188746 - WWW.SBYC.IT - INFO@SBYC.IT

speedy

FRENUM

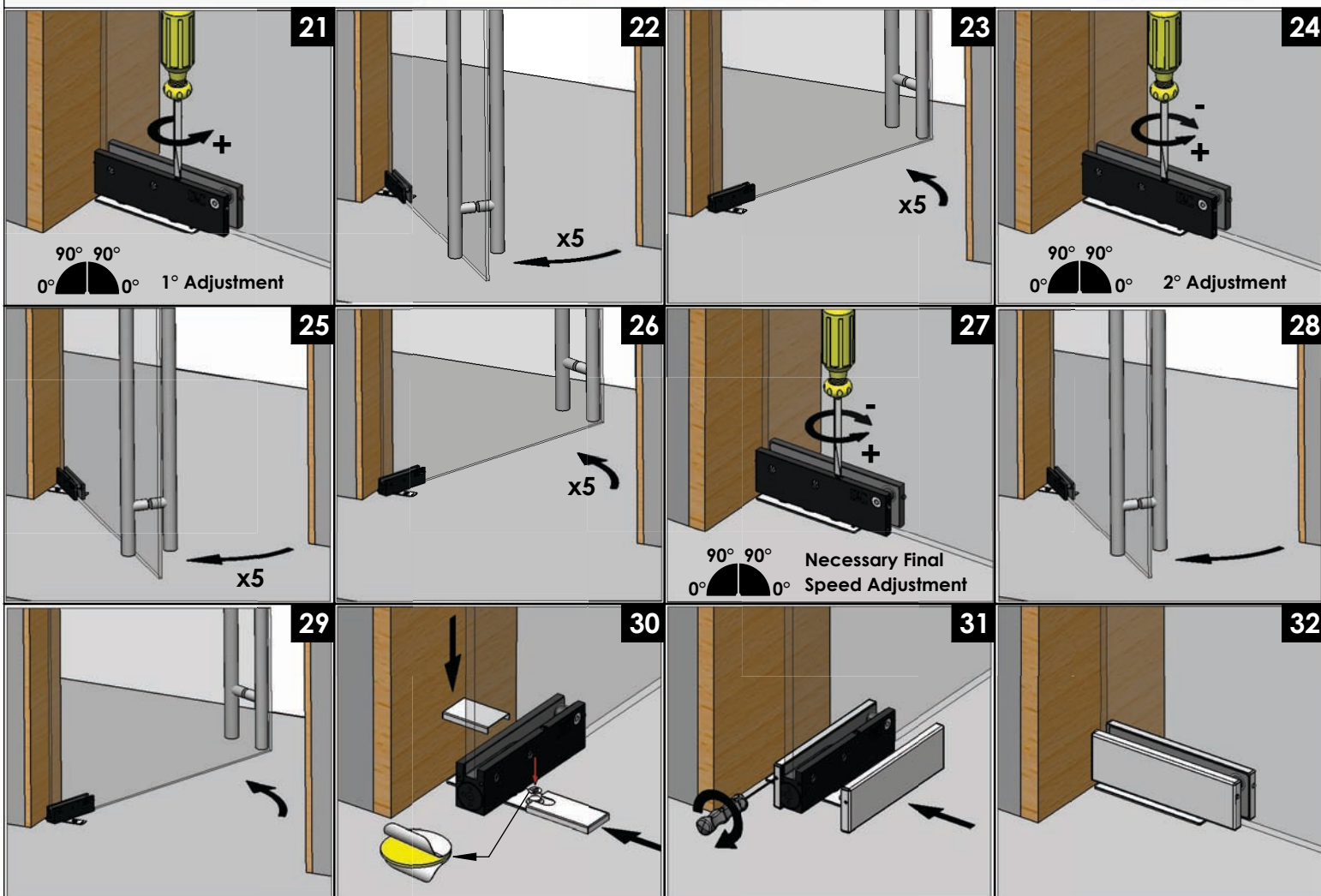
INSTRUCTIONS



A RAINBOW IN
GLASS COMPETENCE

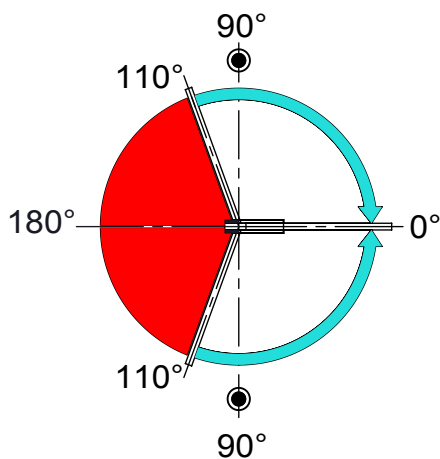


WWW.SBYC.IT

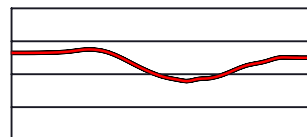


● FERMO
hold-open
Retenció

● LIMITE OPERATIVO
Working Limit
Limite Funcional



EASY OPENING



Max 100Kg

900

SPEEDYBYCASMA SRL

Tel. +39 02 97298418 +39 02 87188746 - WWW.SBYC.IT - INFO@SBYC.IT

Product details		Dati prodotto
Type	Hydraulic hinge closer / Cerniera chiudiporta	Tipologia
Denomination	Speedy Frenum	Denominazione
Code	4FR1N1096XXXX95	Codice

Attestation details		Dati attestazione						
System of attestation of conformity	4	Sistema di attestazione della conformità						
Standard reference	UNI EN 1154:2003	Norma di riferimento						
Classification	<table border="1" style="display: inline-table; vertical-align: middle;"> <tr> <td style="text-align: center;">3</td> <td style="text-align: center;">8</td> <td style="text-align: center;">2</td> <td style="text-align: center;">0</td> <td style="text-align: center;">1</td> <td style="text-align: center;">3</td> </tr> </table>	3	8	2	0	1	3	Classificazione
3	8	2	0	1	3			

Test details		Dati prova
Quality plan	PQ 1003-020	Piano qualità
Reerence test started on	07.10.2017	Prova di riferimento iniziata il
Actual test level	00	Livello attuale prova
Actual test date	07.10.2017	Data prova attuale

Issue date Data di emissione	Current issue Emissione corrente	Technical Manager Responsabile tecnico
07.10.2017	07.10.2017	